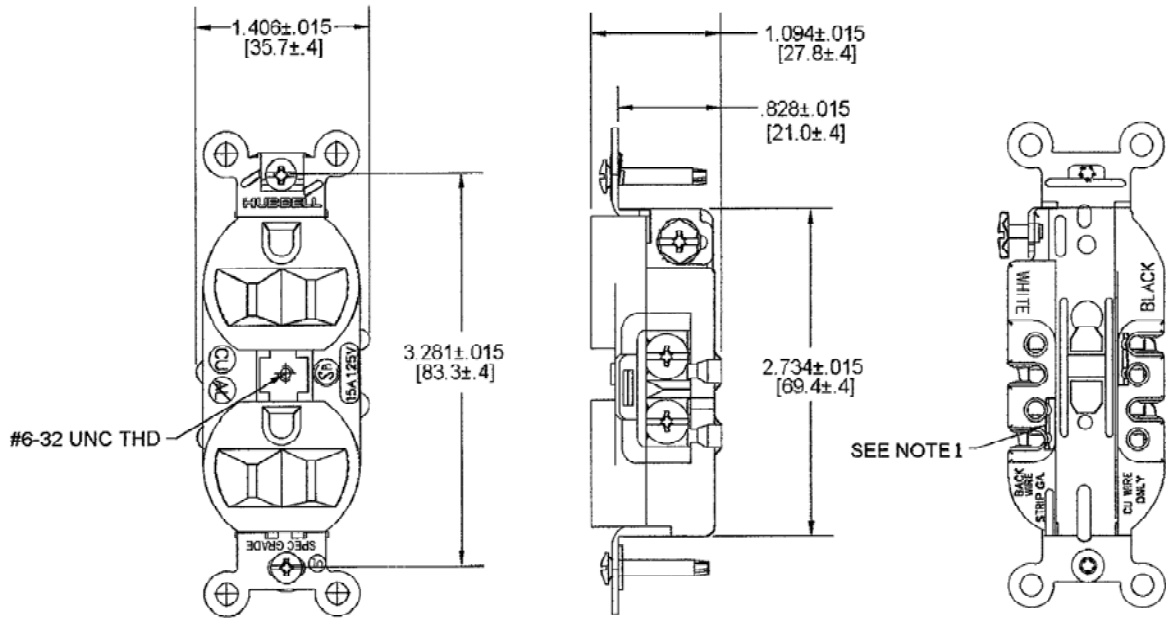


M-10822 3



- NOTES: (UNLESS OTHERWISE SPECIFIED)
- 1) AFTER RECEPTACLE ASSEMBLY, BACK OUT SCREWS UNTIL WIRE CLAMPS CLEAR THE WIRE HOLES IN THE POSITIONS SHOWN
 - 2) DIMENSIONS ARE INCHES [MILLIMETERS]

* CATALOG NUMBERS										
BROWN	BLACK	GRAY	IVORY	WHITE	OFFICE WHITE	LIGHT ALMOND	BLUE	RED	CONFIGURATION	RATING
5262B	5262BLK	5262G	5262I	5262W	5262OW	5262LA	5262BL	5262R		15A-125V
5362B	5362BLK	5362G	5362I	5362W	5362OW	5362LA	5362BL	5362R		20A-125V

LIST OF PARTS		
DESCRIPTION	MATERIAL	FINISH
TOP	NYLON	*
BASE	NYLON	
CONT.SP.BIND.PLATE	.031 BRASS	
GR CONTACT SPRING	.031 BRASS	
BRIDGE	.040 STEEL	ZINC PL.
GROUND SPRING	.031 SST	
BINDING SCREWS	BRASS	
HEX HD.GRD.SCREW	STEEL	GREEN
FLAT HD.MTG.SCR'S	STEEL	ZINC PL.
WASHER	FIBER	RED
CENTER FASTENER	STEEL	ZINC PL.

SYM	REVISIONS	APP	DATE
3	ADDED CAT. NO. 5262BL 15A-125V, BLUE PER DCN 15350 SPN	DJP	12/04/08
2	ADDED CAT. NOS. FOR WHITE, IVORY, GRAY, BLACK & BROWN PER DCN 14501 RCM	EM	1/17/08
1	RELEASED PER DCN #14408 JMN EM	EM	11/28/07

THE DESIGN AND DIMENSIONS OF THE PRODUCT SHOWN ON THIS DRAWING ARE SUBJECT TO CHANGE WITHOUT NOTICE

TITLE
3 WIRE GROUNDING STRAIGHT BLADE DUPLEX RECEPTACLE SIDE & BACK WIRING

TOLERANCES UNLESS OTHERWISE SPECIFIED		WIRING DEVICE-KELLEMS HUBBELL INCORPORATED BRIDGEPORT, CT	
FRACTIONS	±1/64	DR. BY	JMN APP. BY EM
DECIMALS	±.005	TR. BY	SCALE NONE
ANGLES	±2°	CHK'D BY	EM DATE 11/28/07

DIMENSION SHEET FOR CAT. NO. SEE TABLE

REPAIRABLE NON-REPAIRABLE

B

M-10822

3