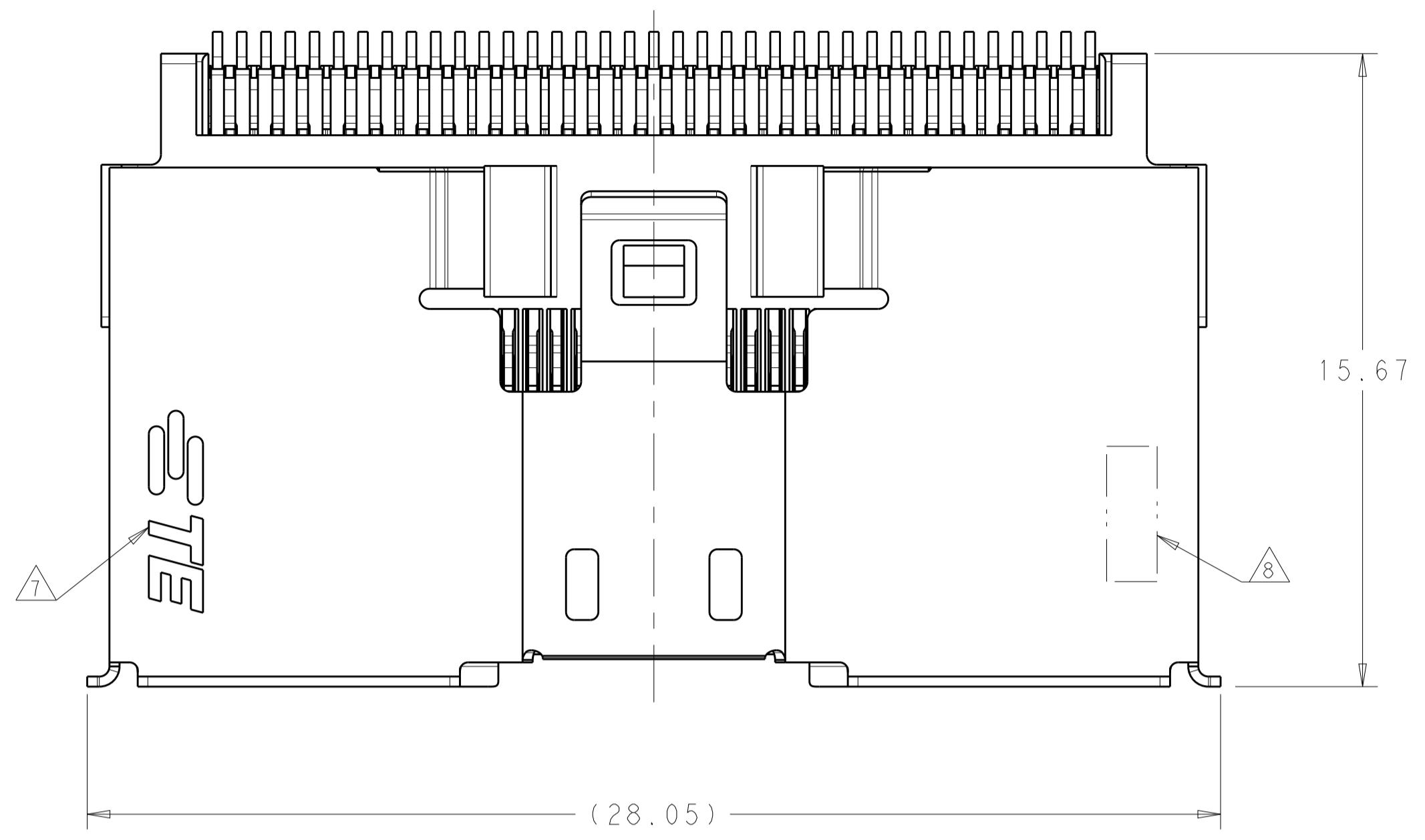
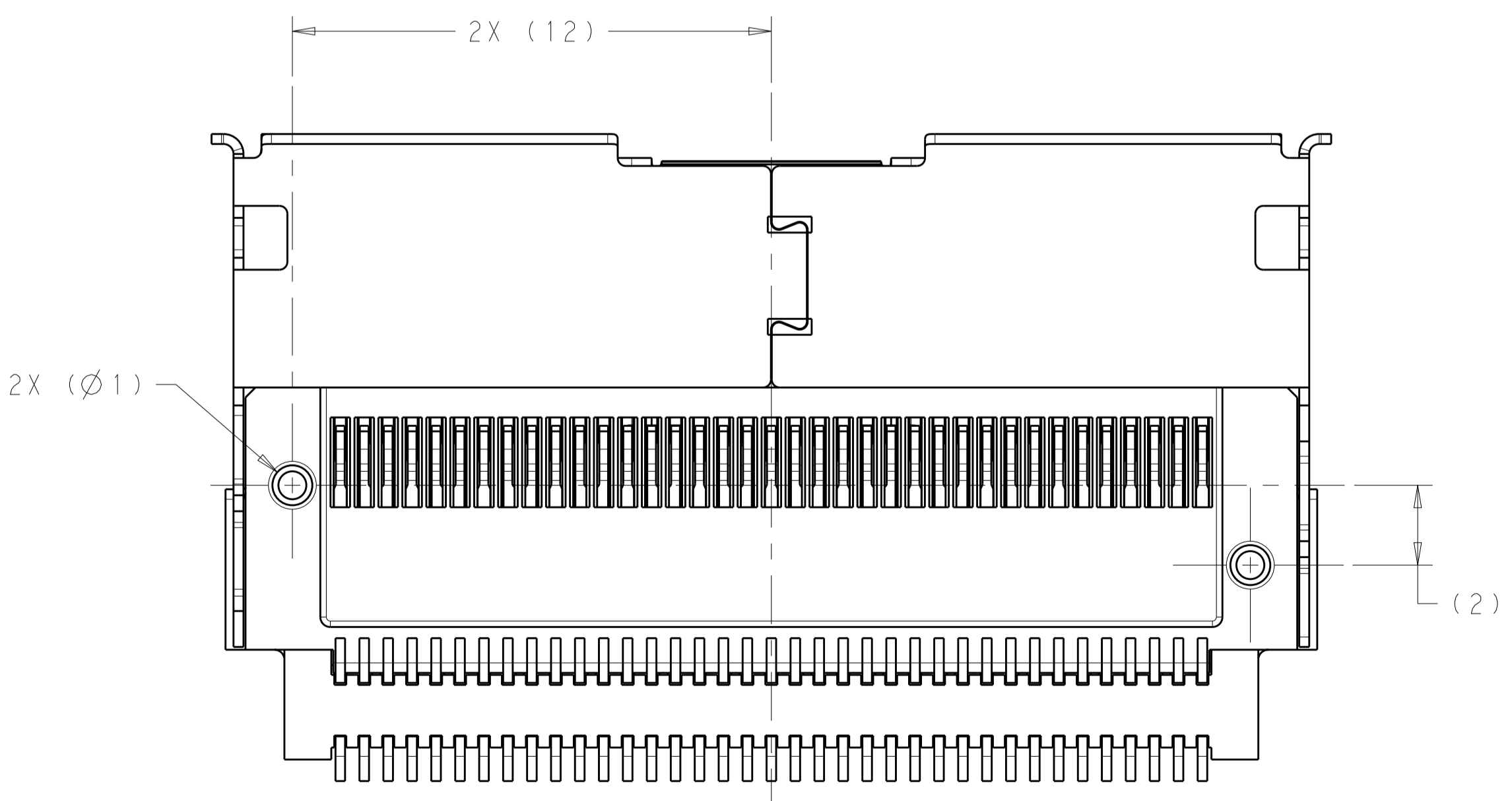
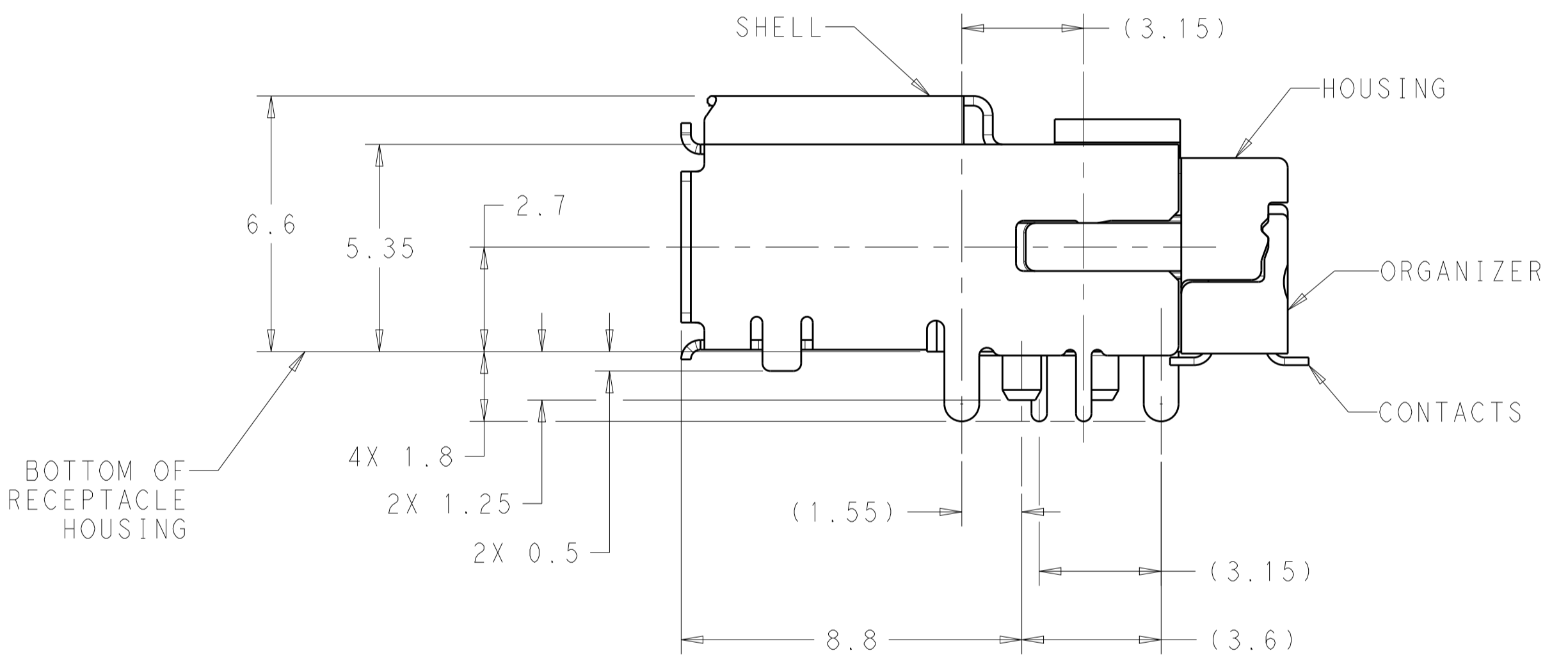
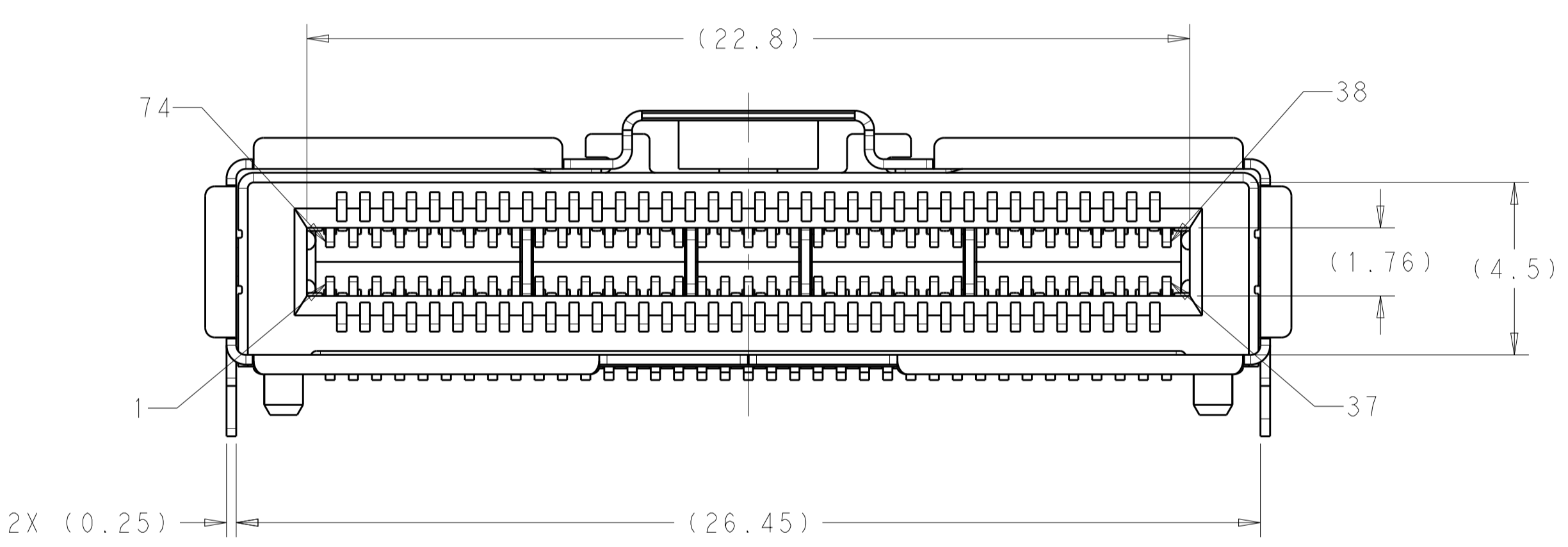


REVISIONS				
P.	LTN	DESCRIPTION	DATE	APVD
A		RELEASED PER ECO-17-008656	15JUN2017	CJV EDB



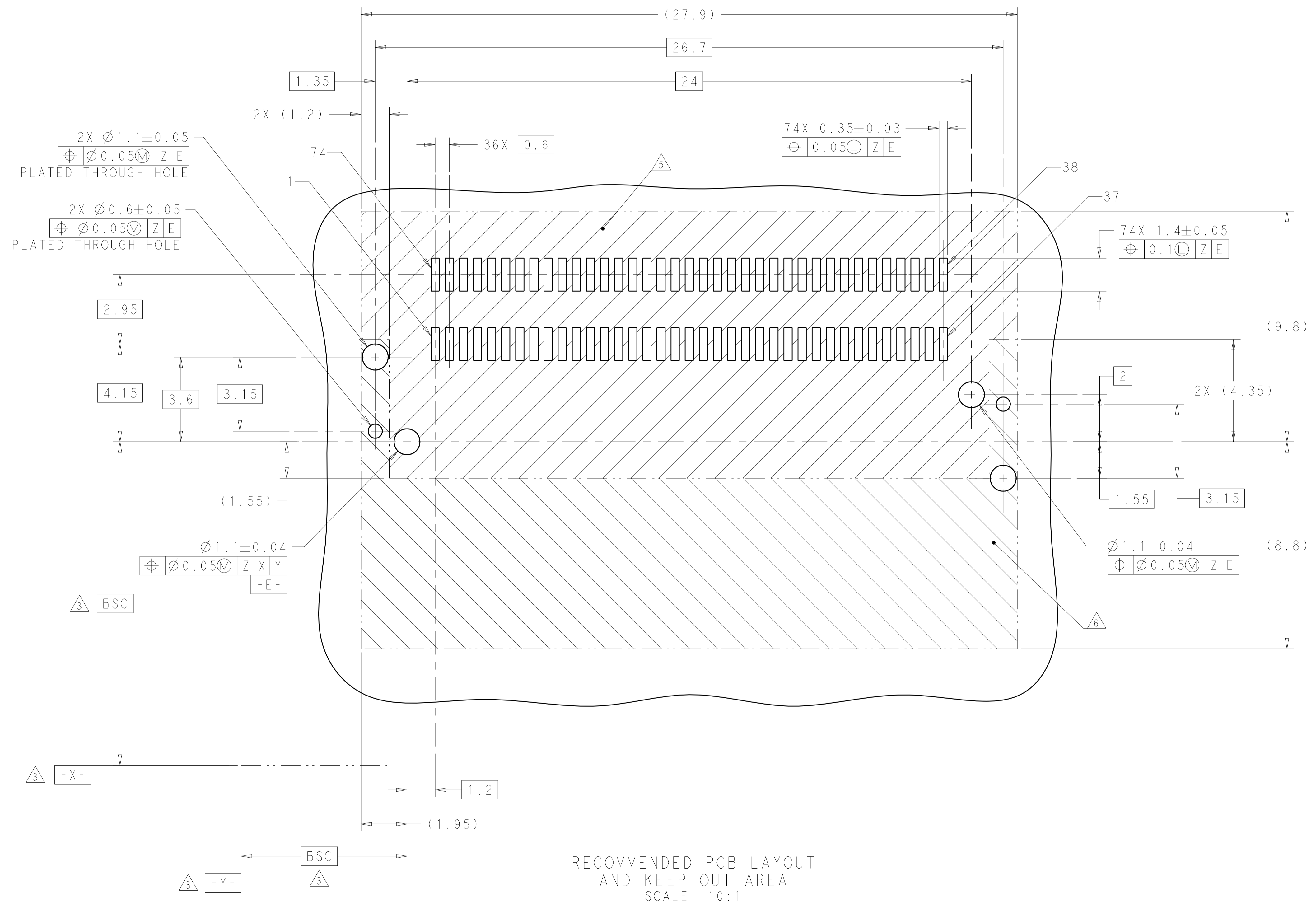
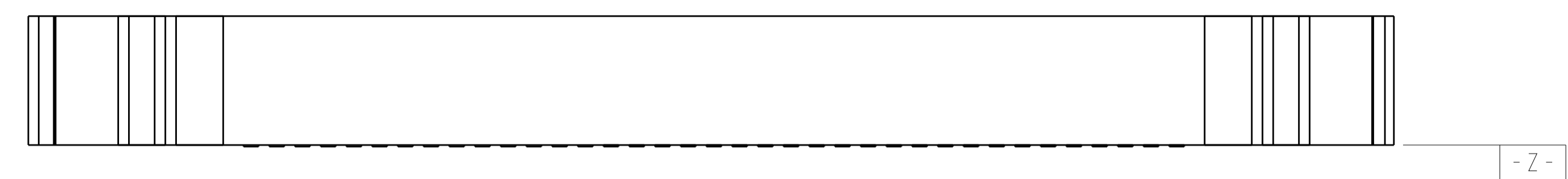
- 1 HOUSING, ORGANIZER AND CONTACT OVERMOLD: LCP, BLACK.
CONTACTS: COPPER ALLOY.
SHELL: COPPER ALLOY, NICKEL PLATED. TIN PLATED ON HOLD DOWNS.
- 2 GOLD PLATED ON MATING INTERFACE. TIN PLATED ON SOLDER TAILS.
- 3 DATUM AND BASIC DIMENSION ESTABLISHED BY CUSTOMER.
- 4. MINIMUM PC BOARD THICKNESS:
SINGLE SIDED = 1.42 MIN.
DOUBLE SIDED = 2 MIN.
- 5 RECOMMENDED COMPONENT KEEP OUT AREA.
- 6 RECOMMENDED COMPONENT AND TRACES KEEP OUT AREA.
- 7 TE CONNECTIVITY LOGO MARKED IN APPROXIMATE AREA SHOWN.
- 8 PART NUMBER AND DATE CODE MARKED IN APPROXIMATE AREA SHOWN.



2292069-1
PART NUMBER

THIS DRAWING IS A CONTROLLED DOCUMENT.		DWN: M. SHIRK 06APR2015	TE Connectivity
		CHK: M. PHILLIPS 06APR2015	
DIMENSIONS:		APVD: -	NAME: RECEPTACLE CONNECTOR, RIGHT ANGLE, 74 POSITION, SLIVER
TOLERANCES UNLESS OTHERWISE SPECIFIED:		PRODUCT SPEC: -	APPLICATION SPEC: -
mm		SIZE: A1	CAGE CODE: -
0 PLC ±0.15		DRAWING NO: C=2292069	RESTRICTED TO: -
1 PLC ±0.15		WEIGHT: -	SCALE: 8:1
2 PLC ±0.15		CUSTOMER DRAWING	SHEET 1 OF 2
3 PLC ±0.15			REV A
4 PLC ±0.15			
ANGLES ±0.15			
FINISH: -			

REVISIONS				
P.	LTN	DESCRIPTION	DATE	APPD
-	-	SEE SHEET 1	-	-



PIN #	DESCRIPTION	PIN #	DESCRIPTION
1	SIGNAL GROUND	38	SIGNAL GROUND
2	SIGNAL	39	SIGNAL
3	SIGNAL	40	SIGNAL
4	SIGNAL GROUND	41	SIGNAL GROUND
5	SIGNAL	42	SIGNAL
6	SIGNAL	43	SIGNAL
7	SIGNAL GROUND	44	SIGNAL GROUND
8	SIGNAL	45	SIGNAL
9	SIGNAL	46	SIGNAL
10	SIGNAL GROUND	47	SIGNAL GROUND
11	SIGNAL	48	SIGNAL
12	SIGNAL	49	SIGNAL
13	SIGNAL GROUND	50	SIGNAL GROUND
14	SIGNAL	51	SIGNAL
15	SIGNAL	52	SIGNAL
16	SIGNAL GROUND	53	SIGNAL GROUND
17	SIGNAL	54	SIGNAL
18	SIGNAL	55	SIGNAL
19	SIGNAL GROUND	56	SIGNAL GROUND
20	SIGNAL	57	SIGNAL
21	SIGNAL	58	SIGNAL
22	SIGNAL GROUND	59	SIGNAL GROUND
23	SIGNAL	60	SIGNAL
24	SIGNAL	61	SIGNAL
25	SIGNAL GROUND	62	SIGNAL GROUND
26	SIGNAL	63	SIGNAL
27	SIGNAL	64	SIGNAL
28	SIGNAL GROUND	65	SIGNAL GROUND
29	SIGNAL	66	SIGNAL
30	SIGNAL	67	SIGNAL
31	SIGNAL GROUND	68	SIGNAL GROUND
32	SIGNAL	69	SIGNAL
33	SIGNAL	70	SIGNAL
34	SIGNAL GROUND	71	SIGNAL GROUND
35	SIGNAL	72	SIGNAL
36	SIGNAL	73	SIGNAL
37	SIGNAL GROUND	74	SIGNAL GROUND

RECOMMENDED PCB LAYOUT
 AND KEEP OUT AREA
 SCALE 10:1

THIS DRAWING IS A CONTROLLED DOCUMENT.		DWN M. SHIRK 06APR2015 CHK M. PHILLIPS 06APR2015 APPD - NAME RECEPTACLE CONNECTOR, RIGHT ANGLE, 74 POSITION, SLIVER	TE Connectivity
DIMENSIONS: mm 	TOLERANCES UNLESS OTHERWISE SPECIFIED: 0 PLC ±0.15 1 PLC ±0.15 2 PLC ±0.15 3 PLC ±0.15 4 PLC ±0.15 ANGLES ±°	PRODUCT SPEC - APPLICATION SPEC - SIZE A1 CAGE CODE - DRAWING NO. C=2292069 RESTRICTED TO -	
MATERIAL -	FINISH -	WEIGHT -	CUSTOMER DRAWING SCALE 8:1 SHEET 2 OF 2 REV A