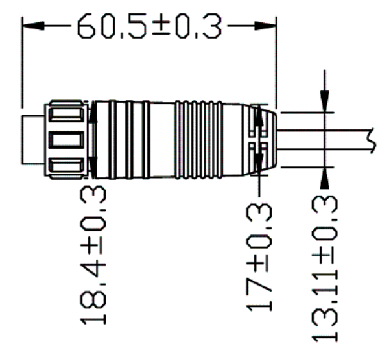
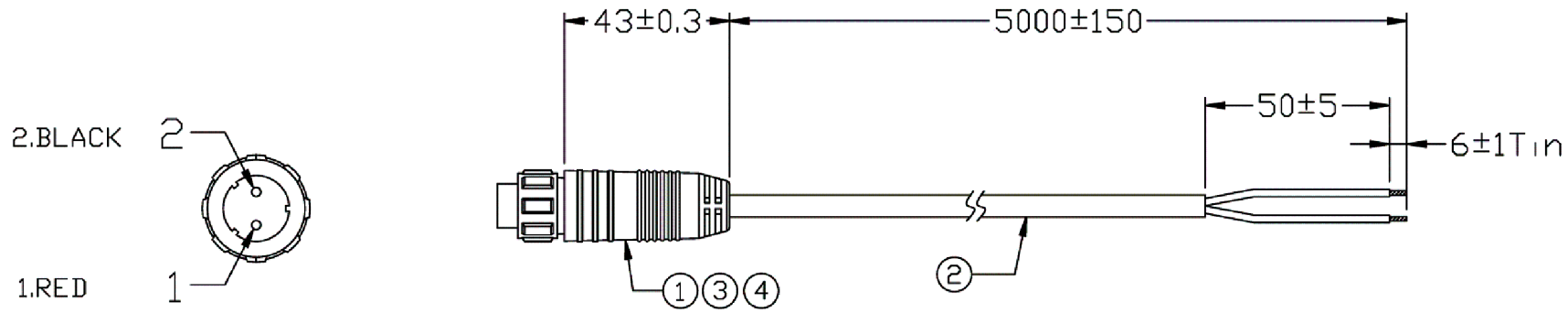


ISS.	AMEND	DATE
1	APPROVED + ISSUED	28/10/15
2	STRIP LENGTH WAS 50±2	02/11/15



**WIRING**

- 1 - RED or BROWN
- 2 - BLACK or BLUE

- 1) CONNECTOR - MALE 2 PIN OVERMOULDED
- 2) UNSHIELED CABLE UL2464 #20\*2C (26/0.16BC\*1.46\*2C) O/D Ø4.5mm
- 3) INNER MOULDING PVC 45P
- 4) OUTER MOULDING PVC 45P
- 5) CONTACTS BRASS, GOLD PLATED
- 6) INNER INSULATION (BLACK+RED or BLUE+BROWN) O/D Ø1.46
- 7) SUPPLIED BULK PACKED

<b>RoHS</b> ✓ <b>COMPLIANT</b>
TOLERANCE NO DEC. PLACE ± 1 DEC. PLACE ± 2 DEC. PLACE ± HOLE Ø ± ANGLES ± UNLESS OTHERWISE STATED
DO NOT SCALE

**Cliff Electronic Components Ltd.**  
76 Holmethorpe Avenue, Holmethorpe Industrial Estate,  
Redhill, Surrey, RH1 2PF, England, UK  
Tel: 01737-771375 Fax: 01737-766012 Website: www.cliffuk.co.uk

DIMENSIONS IN MILLIMETERS UNLESS OTHERWISE STATED. WORK TO DIMENSIONS. REMOVE ALL BURRS. IF IN DOUBT ASK.		3rd ANGLE PROJECTION:	DO NOT SCALE
MATERIAL: COMPOSITE	TITLE: CLIFFCON 68 MALE OVERMOULD 2 PIN		
FINISH: AS MOULDED	DRAWG. No. <b>FM686822</b>		FORM: A4DRWGH
DRAWN: T.J.O.	APPROVED: D.P.J.		