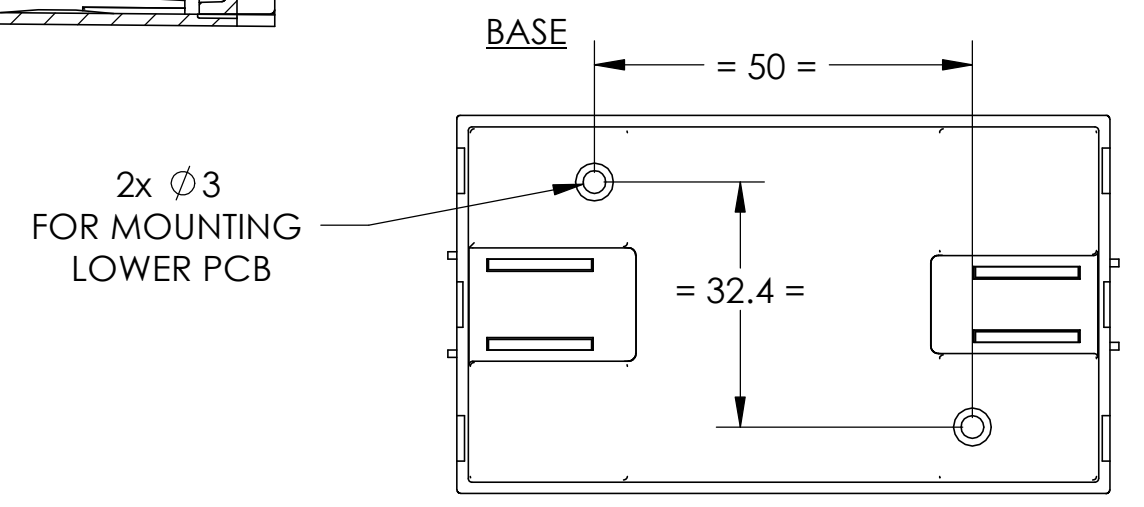
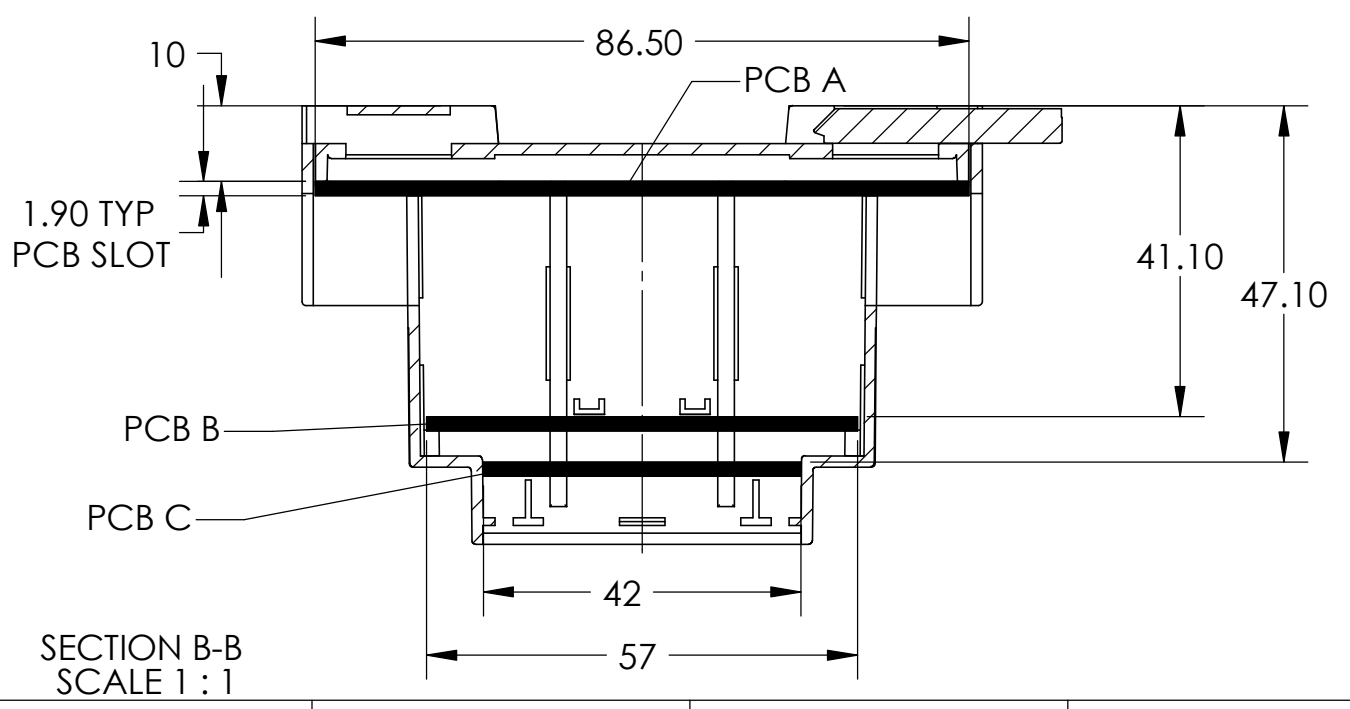
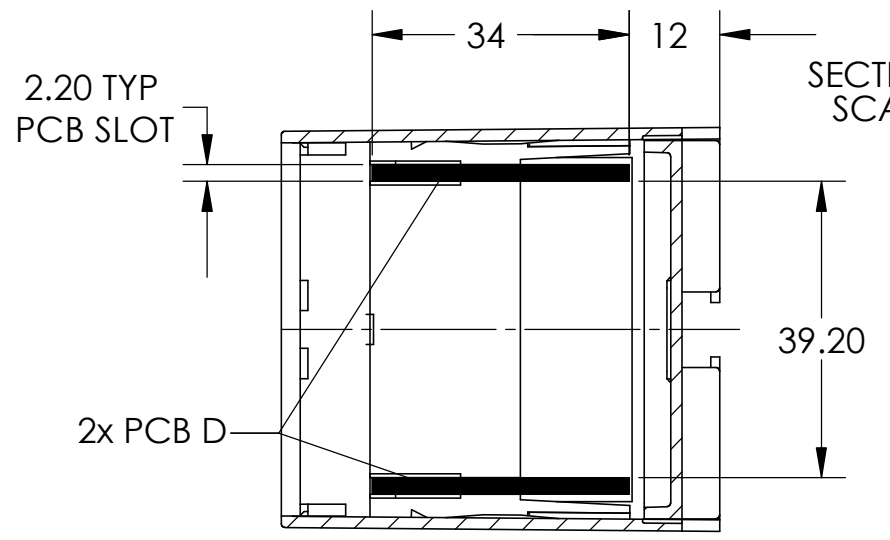
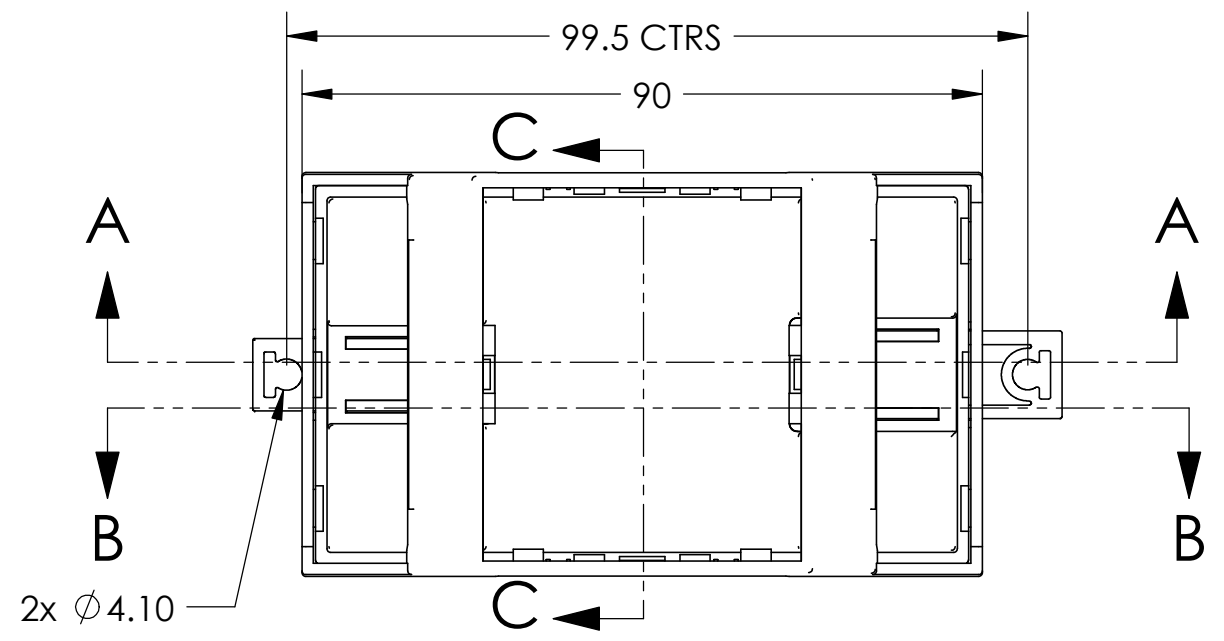


PCB DIMENSIONS (mm)	
A	86.5 x 50
B	57 x 49
C	42 x 49
D	34 x 59.6
E	40 x 50



<p>JAMES CARTER RD, MILDENHALL, SUFFOLK, IP28 7DE TEL: 01638 716101 FAX: 01638 716554 EMAIL: Sales@CamdenBoss.com WEB: www.CamdenBoss.com</p>				UNLESS OTHERWISE SPECIFIED: DIMENSIONS ARE IN MILLIMETERS		DO NOT SCALE DRAWING		REVISION: 0		
				FINISH: SMOOTH		TITLE: GNL ASSY DRG FOR CNMB SERIES				
DRAWN: M.WALLACE		SIGNATURE: MJW		DATE: 07/10/10		MATERIAL: UL94-VO PC		DWG NO. CNMB-3-2		A3
CHK'D: L.SUBKHANKULOVA		SIGNATURE: LS		DATE: 07/10/10		PROJECTION:		SCALE: 1:1		SHEET 1 OF 1