

5

4

3

2

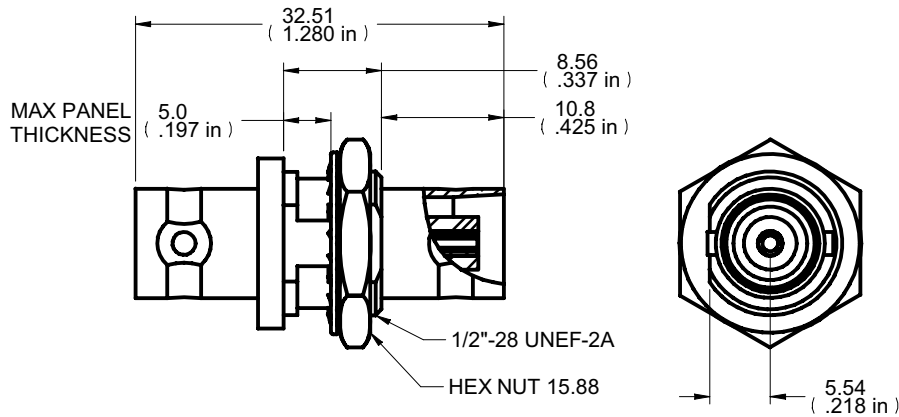
1

DRAWING NO. <b>CPAD556M-CUST</b>				
<b>REVISIONS</b>				
01 OFFICIAL RELEASE				
02-20-09	J	W	B	T
				Thomas D s Chow



Description: BNC Bulkhead Adapter Jack to Jack  
 Part No: CPAD556M  
 Application: Adapter  
 Crimp Tool: N/A  
 Impedance: 50 Ohms  
 Frequency Range: 0-4 GHz  
 Material: Body: Brass Nickel plated  
 Contact: Beryllium Copper Gold plated  
 Insulator: TPX  
 Lock Washer: Brass Nickel plated  
 HEX Nut: Brass Nickel plated

RoHS Compliance: Yes  
 Technical Detail: Refer to Emerson Document P/N 27-0000



**DIM OUTLINE**

**CUSTOMER COPY**



TOLERANCE UNLESS OTHERWISE SPECIFIED		DRAWN BY <b>IVON.W</b>	DATE 02-20-09
DECIMALS	mm	CHECKED BY <b>BETTY.YU</b>	DATE 02-20-09
X	± 0.5	APPROVED BY <b>THOMAS</b>	DATE 02-20-09
X.X	± 0.3		
X.XX	± 0.1		
ANGLES	± 0.5°	U/M mm	

TITLE BNC BULKHEAD ADAPTER JACK TO JACK		
SHEET 1 OF 1	DRAWING NO. <b>CPAD556M-CUST</b>	SIZE <b>A</b>

THIS DRAWING WAS PRODUCED BY COMPUTER, DO NOT SCALE DRAWING OR UPDATE MANUALLY.

<b>受控 CONTROLLED DOCUMENT</b>					
编号 P/N	CPAD556M-CUST	版本 Rev	01	日期 Rel'd Date	Apr29,09

5

4

3

2

1