

5

4

3

2

1

DRAWING NO.

CPMC882-CUST

REVISIONS

OFFICAL RELEASE

01

03-05-09

Z

G

B

Y

T

Thomas
Chow

Description: Stright BNC Crimp Plug For RG59 Style Cable

Part No: CPMC882

Application: For Cable RG-59 Style

Crimp Tool:

Impedance: 24-8859P

Fequency Range: 50 Ohms

Material: 0-4 GHz

Body Zinc Nickel Plated

Contact Brass Gold Plated

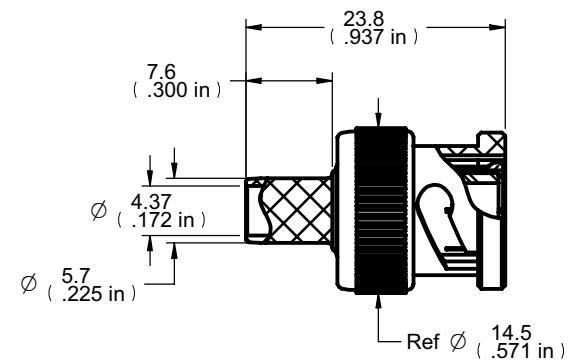
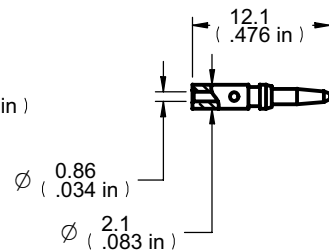
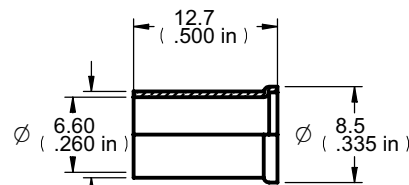
Insulator PTFE

Crimp Sleeve Brass Nickel Plated

Coupling Nut Zinc Nickel Plated

Yes

Refer to Emerson Document P/N 27-0000

RoHS Compliance:
Technical Detail:**DIM OUTLINE**

CUSTOMER COPY

TOLERANCE UNLESS OTHERWISE SPECIFIED		DRAWN BY GARY.ZHG	DATE 03-05-09
DECIMALS	mm	CHECKED BY TERRY.W	DATE 03-05-09
X	± 0.5	APPROVED BY TOHMAS	DATE 03-10-09
X.X	± 0.3	U/M	mm
X.XX	± 0.1		
ANGLES	± 0.5°		

 cinch CONNECTIVITY SOLUTIONS a bel group		TITLE
		STRAIGHT BNC CRIMP PLUG FOR RG59 STYLE CABLE
SHEET 1 OF 1	DRAWING NO. CPMC882-CUST	SIZE A

受控 CONTROLLED DOCUMENT					
编号 P/N	CPMC882-CUST	版本 Rev	01	日期 Rel'd Date	Apr29,09

THIS DRAWING WAS PRODUCED BY COMPUTER,
DO NOT SCALE DRAWING OR UPDATE MANUALLY.

5

4

3

2

1