

5

4

3

2

1

## 受控 CONTROLLED DOCUMENT

编号 P/N	CPFIUG882-CUST	版本 Rev	01	日期 Rel'd Date	Apr29,09
-----------	----------------	-----------	----	------------------	----------

DRAWING NO.

CPFIUG882-CUST

## REVISIONS

01 OFFICIAL RELEASE

03-13-09	Z	Y	T	H	Thomas Chow
----------	---	---	---	---	----------------

D

Description: BNC Twist-On For RG 59,62

Part No: CPFIUG885

Application: For RG-59, RG-62 Cable

Crimp Tool: N/A

Impedance: 50 Ohms

Frequency Range: 0-4 GHz

Material: Body Brass Nickel plated

Contact Phosphor bronze Gold plated

Insulator Teflon

Nut Zinc Nickel plated

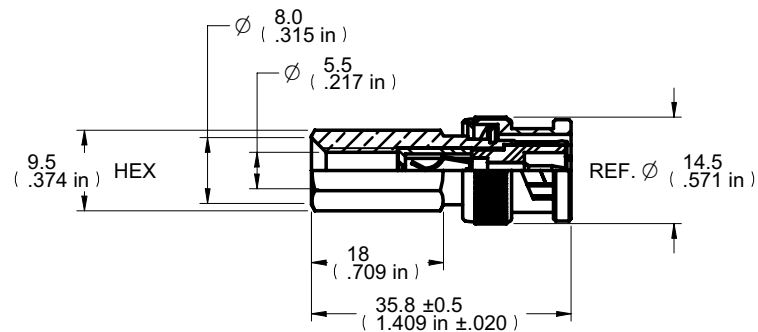
RoHS Compliance: Yes

Technical Detail: Refer to Emerson Document P/N 27-0000

C



B



## DIM OUTLINE

A

TOLERANCE UNLESS OTHERWISE SPECIFIED		DRAWN BY GARY.ZHANG	DATE 03-13-09
DECIMALS	mm	CHECKED BY BETTY.YU	DATE 03-13-09
X	± 0.5	APPROVED BY THOMAS	DATE 03-13-09
X.X	± 0.3	U/M	mm
X.XX	± 0.1		
ANGLES	± 0.5°		

THIS DRAWING WAS PRODUCED BY COMPUTER,  
DO NOT SCALE DRAWING OR UPDATE MANUALLY.SHEET  
1 OF 1DRAWING NO.  
CPFIUG882-CUSTSIZE  
A

CUSTOMER COPY

TITLE  
BNC TWIST-ON FOR RG59,62

5

4

3

2

1

D

C

B

A