

5

4

3

2

1

受控 CONTROLLED DOCUMENT

编号 P/N	CP1094U-CUST	版本 Rev	01	日期 Rel'd Date	Apr29,09
-----------	--------------	-----------	----	------------------	----------

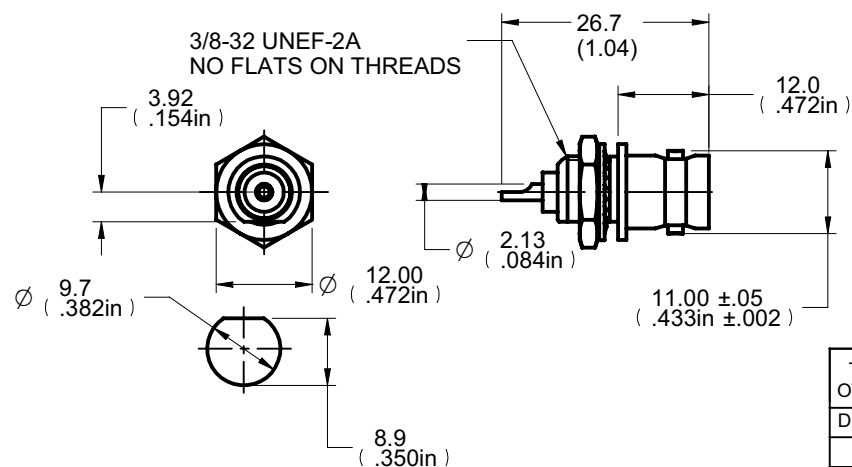
DRAWING NO.
CP1094U-CUST

REVISIONS

01	OFFICIAL RELEASE				Thomas Chow
	03-20-09	T W	B Y	T	



Description: Front Mount Bulkhead Jack
 Part No: CP1094U
 Application: PCB
 Crimp Tool: N/A
 Impedance: 50 Ohms
 Frequency Range: 0-4 GHz
 Material: Body Brass Nickel plated
 Contact Brass Gold plated
 Insulotor Teflon
 Nut Brass Nickel plated
 RoHS Compliance: Yes
 Technical Detail: Refer to Emerson Document P/N 27-0000



DIM OUTLINE

CUSTOMER COPY

TOLERANCE UNLESS OTHERWISE SPECIFIED		DRAWN BY TERRY.W	DATE 03-20-09
DECIMALS	mm	CHECKED BY BETTY.YU	DATE 03-20-09
X	± 0.5	APPROVED BY THOMAS	DATE 03-20-09
X.X	± 0.3	U/M	mm
X.XX	± 0.1		
ANGLES	± 0.5°		

EMERSON
Network Power

Connectivity Solutions

TITLE
FRONT MOUNT BULKHEAD JACK

THIS DRAWING WAS PRODUCED BY COMPUTER, DO NOT SCALE DRAWING OR UPDATE MANUALLY.

SHEET 1 OF 1	DRAWING NO. CP1094U-CUST	SIZE A
-----------------	-----------------------------	-----------

5

4

3

2

1