

5

4

3

2

1

DRAWING NO.
CP7810-CUST

REVISIONS

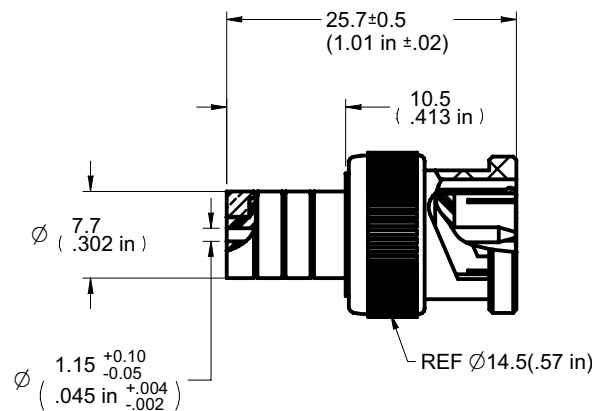
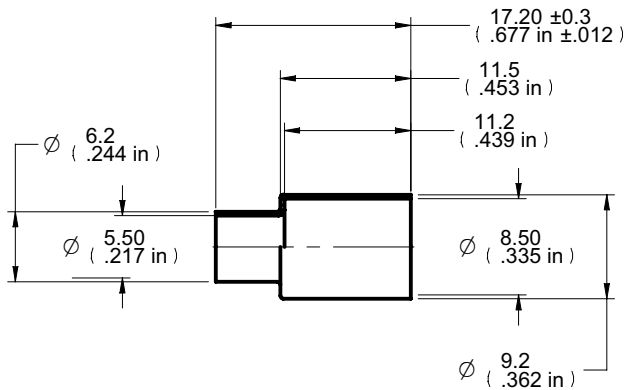
01 OFFICIAL RELEASE

01

02-20-09 J W B T Thomas Chow



Description: Straight BNC Crimp Plug For RG59 Plenum Style Cable
 Part No: CP7810
 Application: For RG59 Plenum, RG62 Plenum Cable
 Crimp Tool: 24-9858P
 Impedance: 75 Ohms
 Frequency Range: 0-2 GHz
 Material: Body: Brass Nickel plated
 Contact: Brass Gold plated
 Insulator: Teflon
 Crimp Sleeve: Brass Nickel plated
 Coupling Nut: Zinc Nickel plated
 RoHS Compliance: Yes
 Technical Detail: Refer to Emerson Document P/N 27-0000



DIM OUTLINE

CUSTOMER COPY

受控 CONTROLLED DOCUMENT					
编号 P/N	CP7810-CUST	版本 Rev	01	日期 Rel'd Date	Apr29,09

TOLERANCE UNLESS OTHERWISE SPECIFIED		DRAWN BY	DATE
DECIMALS	mm	IVON.W	02-20-09
X	± 0.5	CHECKED BY	DATE
X.X	± 0.3	BETTY.YU	02-20-09
X.XX	± 0.1	APPROVED BY	DATE
ANGLES	± 0.5°	THOMAS	02-20-09
		U/M	mm

TITLE	
STRAIGHT BNC CRIMP PLUG FOR RG59 PLENUM STYLE CABLE	
SHEET	DRAWING NO.
1 OF 1	CP7810-CUST
SIZE	A

THIS DRAWING WAS PRODUCED BY COMPUTER, DO NOT SCALE DRAWING OR UPDATE MANUALLY.

5

4

3

2

1