

5

4

3

2

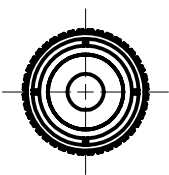
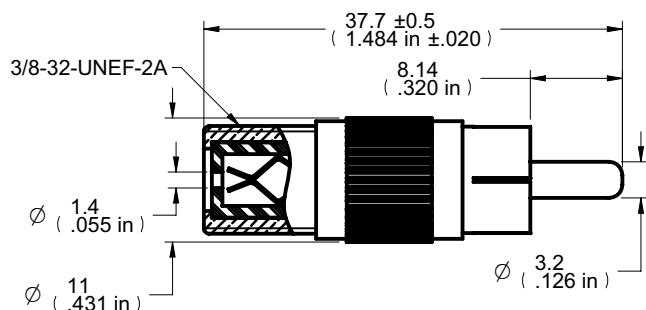
1

受控 CONTROLLED DOCUMENT

编号 P/N	25-7530-CUST	版本 Rev	01	日期 Rel'd Date	Apr29,09
-----------	--------------	-----------	----	------------------	----------

DRAWING NO.	
25-7530-CUST	
REVISIONS	
01	OFFICIAL RELEASE
03-05-09	Y U Y U T H Thomas Chow

Description: RCA Male To F Female Adapter
 Part No: 25-7530
 Application: Adapter
 Crimp Tool: N/A
 Impedance: 75 Ohms
 Frequency Range: 0-750 MHz
 Material: Body Brass Nickel plated
 Contact Beryllium Nickel plated
 Insulator PE
 RoHS Compliance: Yes
 Technical Detail: Refer to Emerson Document P/N 25-0000



DIM OUTLINE

CUSTOMER COPY

TOLERANCE UNLESS OTHERWISE SPECIFIED		DRAWN BY	DATE
DECIMALS	mm	BETTY.YU	03-05-09
X	± 0.5	CHECKED BY	DATE
X.X	± 0.3	BETTY.YU	03-05-09
X.XX	± 0.1	APPROVED BY	DATE
ANGLES	± 0.5°	THOMAS	03-05-09
		U/M	mm



TITLE
 RCA MALE TO F FEMALE ADAPTER

THIS DRAWING WAS PRODUCED BY COMPUTER, DO NOT SCALE DRAWING OR UPDATE MANUALLY.		SHEET 1 OF 1	DRAWING NO. 25-7530-CUST	SIZE A
---	--	-----------------	-----------------------------	-----------

5

4

3

2

1