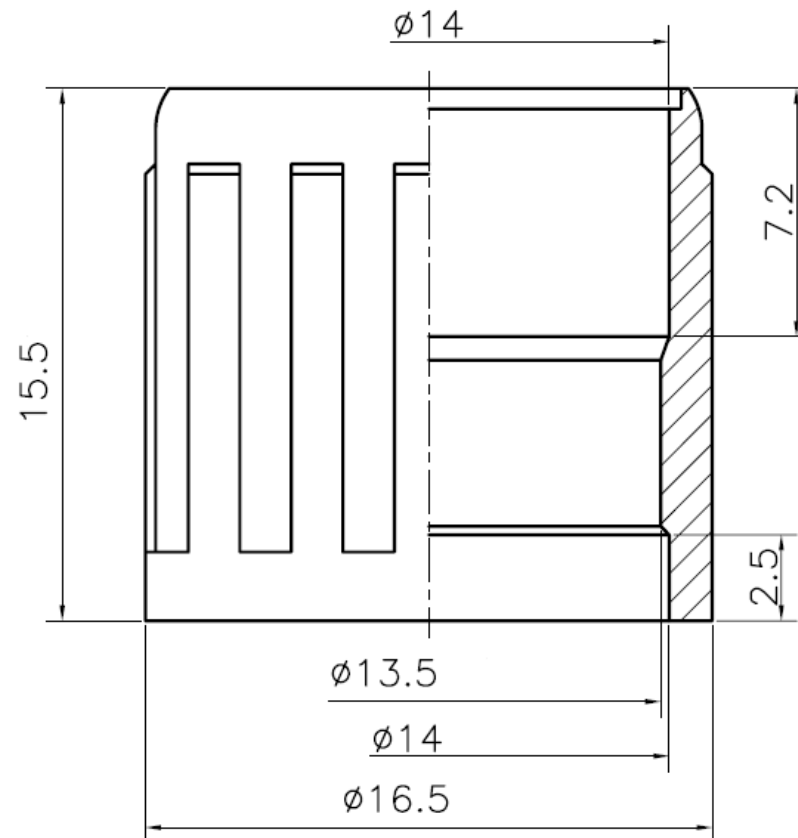

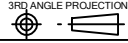




DESCRIPTION: BNC HOOD BLACK  
 MODEL NUMBER: 25-7960BK  
 APPLICATION: BNC HOOD  
 CRIMP TOOL: N/A  
 IMPEDANCE: N/A  
 FREQUENCY RANGE: N/A  
 MATERIAL: PVC---BLACK  
 RoHS COMPLIANCE: YES  
 TECHNICAL DETAIL: N/A



|  |   |                              |                      |
|--|---|------------------------------|----------------------|
| <br><small>This PROPRIETARY Document is Property of Cinch Connectivity Solutions. It is confidential in nature, non-transferable, and issued with the clear understanding that it is not traced or copied without permission and is returnable upon demand.</small><br><small>INTERPRET DRAWING IN ACCORDANCE WITH ASME Y14.5-2009.</small> |  | <b>AIM-Cambridge</b>         |                      |
|  | <b>RoHS</b> <input checked="" type="checkbox"/><br><b>2002/95/EC</b>                  | Title: <b>BNC HOOD BLACK</b> |                      |
| <small>UNLESS OTHERWISE SPECIFIED UNITS: METRIC</small><br>.XX ±.51<br>.XXX ±.127<br>ANGLES ±2°  | Model No. <b>25-7960BK</b>  | Size <b>A</b>                | DO NOT SCALE DRAWING |
|  | Date: <b>8/15/2013</b>  | Sheet 1 of 1                 |                      |