

5

4

3

2

1

受控 CONTROLLED DOCUMENT					
编号 P/N	27-9068-CUST	版本 Rev	01	日期 Rel'd Date	SEP 17,09

DRAWING NO.
27-9068

REVISIONS					
01	OFFICIAL RELEASE				
	08-05-09	I	W	T	H

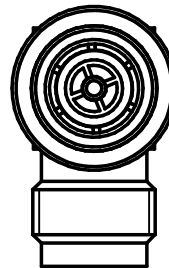
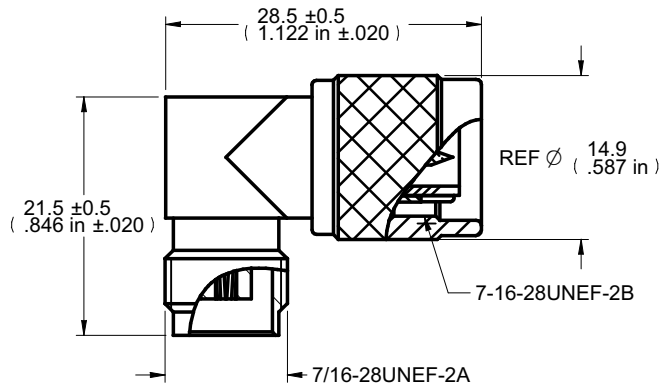
D



Description: CPAD306 TNC (M-F) RT Angle
 Part No: 27-9068
 Application: Adaptor
 Crimp Tool: N/A
 Impedance: 50 Ohm
 Frequency Range: 0-4 GHz
 Material: Body Zinc Nickel Plated
 Nut Zinc Nickel Plated
 Insulator Delrin
 Contact Brass Gold Plated
 RoHS Compliance: Yes
 Technical Detail: Refer to Emerson Document P/N 28-0000

C

B



CUSTOMER COPY

A

DIM OUTLINE

TOLERANCE UNLESS OTHERWISE SPECIFIED		DRAWN BY IVON.W	DATE 08-05-09
DECIMALS	mm	CHECKED BY IVON.W	DATE 08-05-09
X	± 0.5	APPROVED BY THOMAS	DATE 08-05-09
X.X	± 0.3		
X.XX	± 0.1		
ANGLES	± 0.5°	U/M	mm

		Connectivity Solutions
TITLE CPAD306 TNC (M-F) RT ANGLE		
SHEET 1 OF 1	DRAWING NO. 27-9068	SIZE A

THIS DRAWING WAS PRODUCED BY COMPUTER,
DO NOT SCALE DRAWING OR UPDATE MANUALLY.

5

4

3

2

1