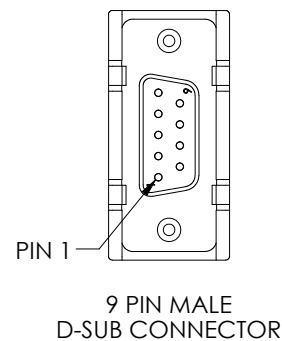
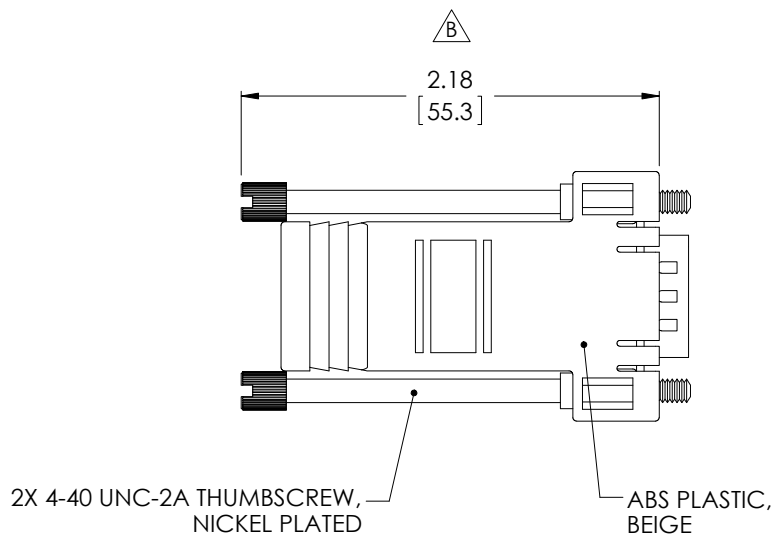
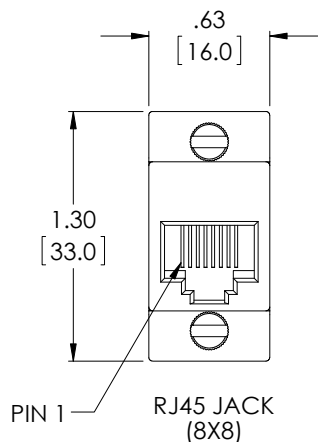
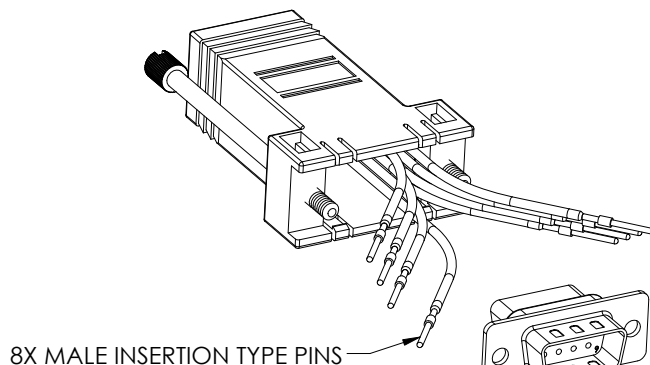


THE INFORMATION CONTAINED IN THIS DRAWING IS THE SOLE PROPERTY OF L-COM, INC. ANY REPRODUCTION IN PART OR WHOLE WITHOUT THE WRITTEN PERMISSION OF L-COM, INC. IS PROHIBITED.

REVISIONS			
REV	DESCRIPTION	DATE	APPROVED
A	RELEASED TO PRODUCTION	1/10/01	MCCORMICK
B	ECN 6971: UPDATED DESIGN, FORMAT, PACKAGING	7/22/13	D_DESJARDIN



WIRING CHART	
RJ45 JACK	COLOR
PIN 1	BLUE
PIN 2	ORANGE
PIN 3	BLACK
PIN 4	RED
PIN 5	GREEN
PIN 6	YELLOW
PIN 7	BROWN
PIN 8	WHITE



KIT AS SUPPLIED

NOTES:

- ADAPTER KIT SHALL BE INDIVIDUALLY PACKAGED UN-ASSEMBLED IN ACCORDANCE WITH L-COM SPECIFICATION PS-0031.
- ALL DIMENSIONS ARE FOR REFERENCE ONLY

REGULATORY COMPLIANCE:
ROHS, CE

UNLESS OTHERWISE SPECIFIED, DIMENSIONS ARE IN INCHES [mm] OVERALL CABLE LENGTH TOLERANCE: ≤12 [305] = +1 [25] / -0 >12 [305] ≤60 [1524] = +2 [51] / -0 >60 [1524] ≤120 [3048] = +4 [102] / -0 >120 [3048] ≤300 [7620] = +6 [152] / -0 >300 [7620] = +5% / -0% ALL OTHER DIMENSIONAL TOLERANCES: .X = ±.2 [5.08] .XX = ±.02 [1.51] .XXX = ±.005 [1.13]	APPROVALS DRAWN BY C. MCCORMICK CHECKED BY D. PARHAM APPROVED BY R. CARRICK	DATE 1/10/01 1/18/01 1/18/01	 45 BEECHWOOD DRIVE NORTH ANDOVER, MA 01845 CATEGORY TELECOM/MODULAR PRODUCT DESCRIPTION ADAPTOR KIT, DB9M/RJ45 JACK
	CONFIGURATION DETAILS OF UNDIMENSIONED FEATURES MAY VARY COLOR VARIATIONS MAY OCCUR PROJECTION 	SIZE A FSCM NO. 43321 DWG. NO. RA098M SCALE: NONE CAD FILE: RA098M.SLDDRW	