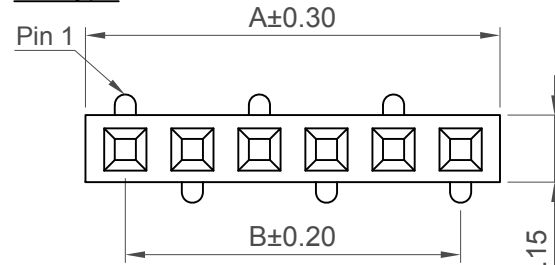
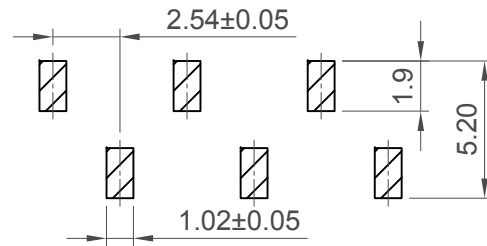
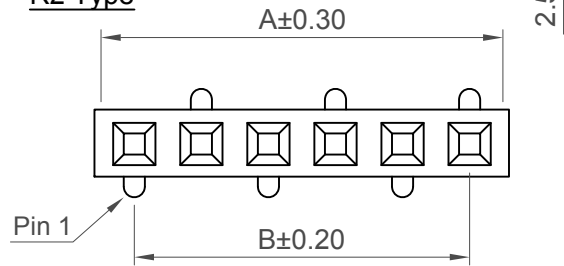


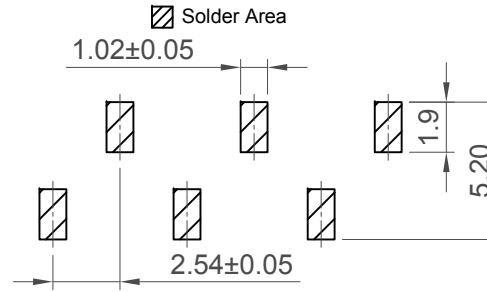
R1 Type



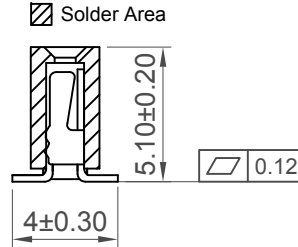
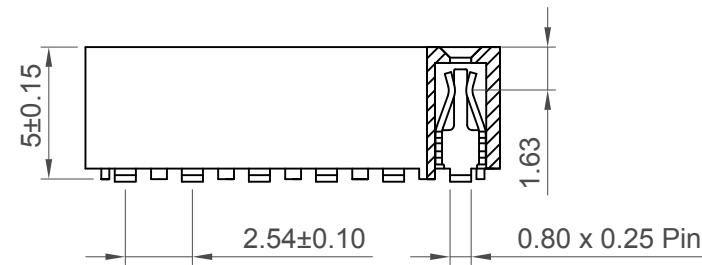
R2 Type



Recommended PCB Layout



Recommended PCB Layout



Number of Contacts	Dimensions	
	A	B
2	5.58	2.54
3	8.12	5.08
4	10.66	7.62
5	13.20	10.16
6	15.74	12.70
7	18.28	15.24
8	20.82	17.78

Specifications 规格

Material 物料

Insulator 塑胶外壳: LCP, 30% GF, UL94V-0, Natural
Contact 接触端子: Phosphor Bronze

Plating 电镀

Underplating 底层电镀: 50μ"-100μ" Nickel all over
Contact Area 接触部分: See Ordering Grid

Electrical 电气

Current Rating 电流额定值: 3A per pin
Contact Resistance 接触电阻值: 20 mΩ max.
Insulating Resistance 绝缘电阻值: 1000 MΩ min.
Dielectric Withstand Voltage 耐电压: 500V AC

Soldering Process 可焊性:

IR Reflow 回流焊: 260°C for 10 sec.
Manual Solder 人工焊接: 350°C for 3-5 sec.

Mechanical & Environmental 机械 & 环境

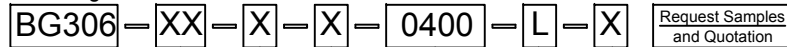
Operating Temperature 工作温度: -40°C to +105°C

Mates With 配套之公头:

BG301 (4.00mm pin length) BG303 BG304 BG305

Standard black version of BG306 is BG125

Ordering Grid



No. of Contacts
02 to 08

Contact Plating
A = Gold Flash All Over
(Other plating options available on request)

Type
1 = R1 Type (Standard)
2 = R2 Type

Packing Options

B = Tape & Reel with Cap (available in 3, 4, 5, 6, 7 & 8 contacts)
(MOQ 1,200 pieces - Standard R1 Footprint)
G = Plastic Box (available in 2 contacts)
(MOQ 1,000 pieces - Standard R1 Footprint)

Insulator Material

L = LCP (Natural)

Footprint width (1/100mm)
0400 = 4.00mm

Part Number		Product Description	
BG306		2.54mm Pitch Pin Socket, Single Row	
Drawing Date		Vertical, Top Entry, Surface Mount, Natural LCP	
18th April 2012			
By	CC	Tolerances (Except as Noted)	Units:
Detail	BG306	Length	Metric (mm)
Revision	D2	Angle	
Date	12/06/17	X, ± 0.30	
		X.X ± 0.20	

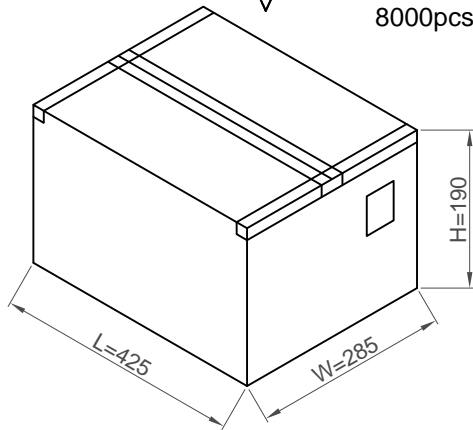
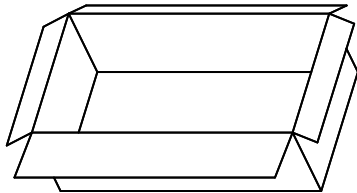
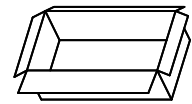
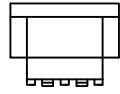


This drawing is confidential and copyright of Global Connector Technology, Ltd (GCT). This drawing must not be copied or disclosed without written consent. E & OE



Not to Scale Drawn By ASE Sheet No. 1/3

2 Pin



PE Bag
Dimension : 160 x 105,T=0.01
1000pcs/PE Bag

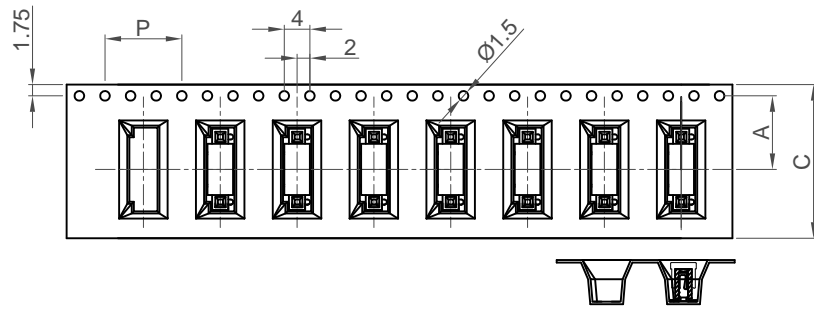
Box
Dimension : 130 x 90 x 60 mm
1000pcs/Box

Carton
Dimension : 425 x 285 x 190 mm
8000pcs/Carton

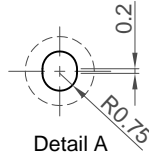
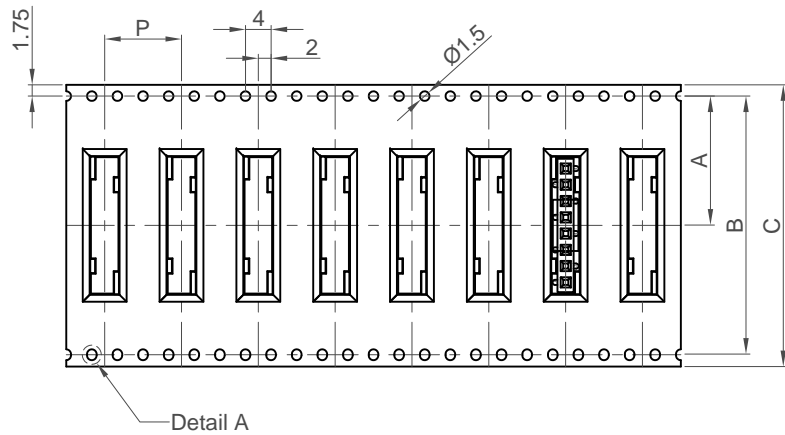
Pins	pcs/PE Bag	pcs/Box	Boxes/Carton	pcs/Carton
2	1000	1000	8	8,000

Part Number BG306		Product Description 2.54mm Pitch Pin Socket, Single Row Vertical, Top Entry, Surface Mount, Natural LCP		 www.gct.co
Drawing Date 18th April 2012				
By	CC	Tolerances (Except as Noted)	Units:	This drawing is confidential and copyright of Global Connector Technology, Ltd (GCT). This drawing must not be copied or disclosed without written consent. E & OE
Detail	BG306 D PCN	Length X. ± 0.30 X.X ± 0.25 X.XX ± 0.20 X.XXX ± 0.15	Metric (mm)	
Revision	D2	Angle X.° ± 4° X.X° ± 3° X.XX° ± 2° X.XXX° ± 1°		
Date	12/06/17		 	
				Not to Scale Drawn By ASE Sheet No. 2/3

3,4,5 Pin

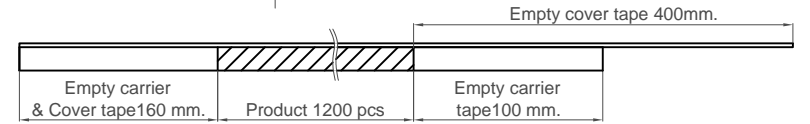
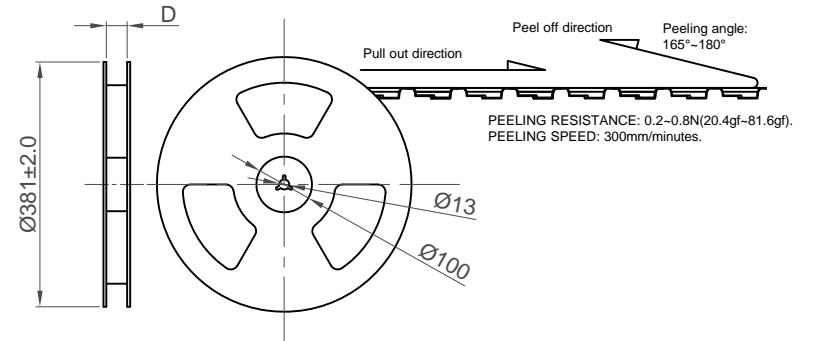


6,7,8 Pin

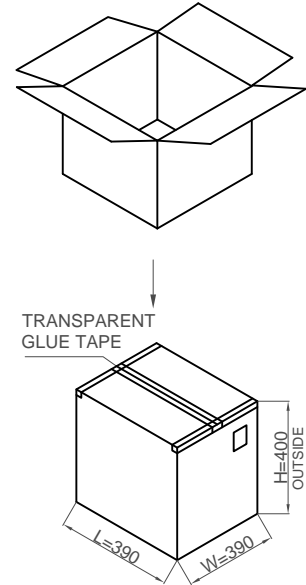
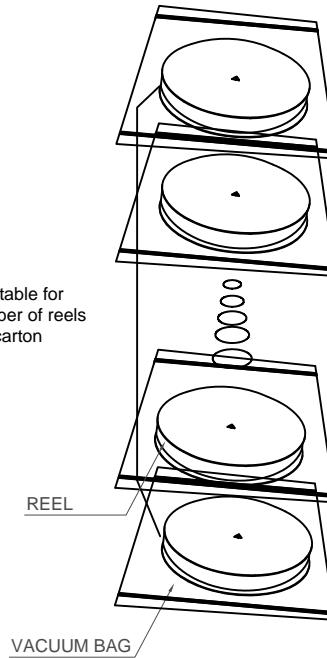


No. of Contacts	Dimensions				
	A	B	C	D	P
3,5	11.5±0.25	/	24±0.30	24 ⁺² ₀	12±0.25
4	11.5±0.25	/	24±0.30	24 ⁺² ₀	8±0.25
6	14.2±0.25	28.4±0.25	32±0.30	32 ⁺² ₀	12±0.25
7	14.2±0.25	28.4±0.25	32±0.30	32 ⁺² ₀	8±0.25
8	20.2±0.25	40.4±0.25	44±0.30	44	12±0.25

Pins	Pieces/Reel	Reels/Carton	Pieces/Carton
3,4,5	1200	10	12,000
6,7	1200	8	9,600
8	1200	6	7,200



See table for number of reels per carton



Part Number BG306		Product Description 2.54mm Pitch Pin Socket, Single Row Vertical, Top Entry, Surface Mount, Natural LCP	
Drawing Date 18th April 2012			
By	CC	Tolerances (Except as Noted)	Units: Metric (mm)
Detail	BG306 D PCN	Length X. ± 0.30 X.X ± 0.25 X.XX ± 0.20 X.XXX ± 0.15	Angle X.° ± 4° X.X° ± 3° X.XX° ± 2° X.XXX° ± 1°
Revision	D2	3rd Angle Projection	
Date	12/06/17		



This drawing is confidential and copyright of Global Connector Technology, Ltd (GCT). This drawing must not be copied or disclosed without written consent. E & OE



Not to Scale	Drawn By ASE	Sheet No. 3/3
--------------	--------------	---------------