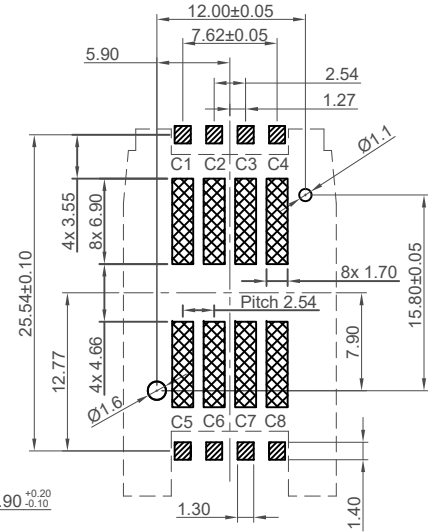
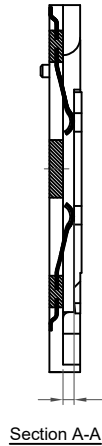
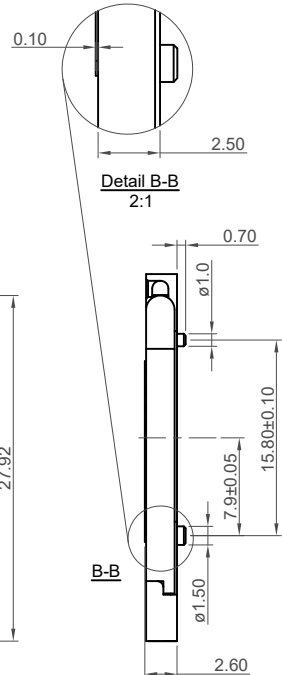
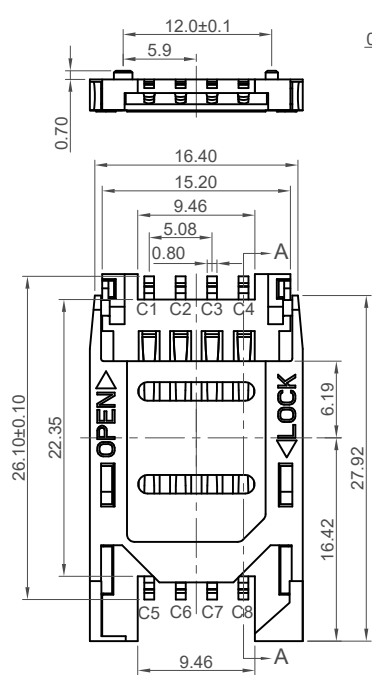


H  
G  
F  
E  
D  
C  
B  
A

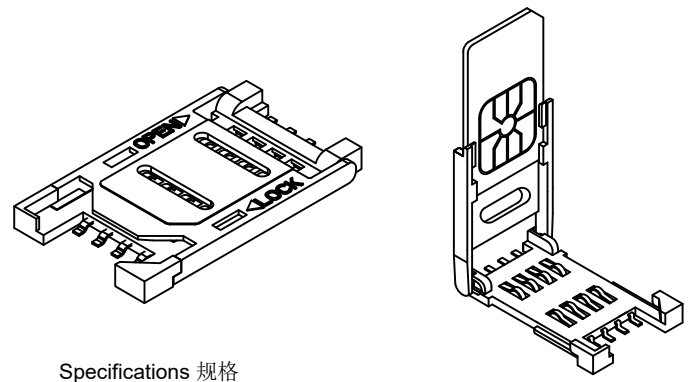


**Recommended PCB Layout**  
as viewed from component side

Solder Area  
  Keep Out Area  
  Component Outline

For 6 contacts version do not include solder pads C4 and C8 on PCB layout.

- C1---->VCC
- C2---->RST
- C3---->CLK
- C4---->RFU
- C5---->GND
- C6---->Vpp
- C7---->I/O
- C8---->RFU



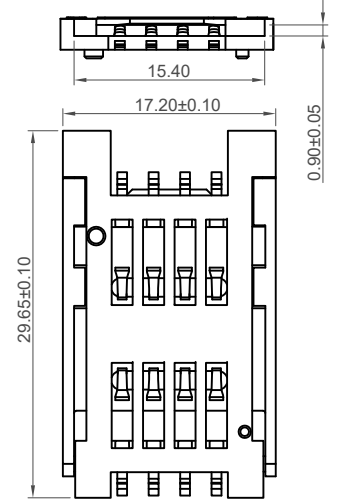
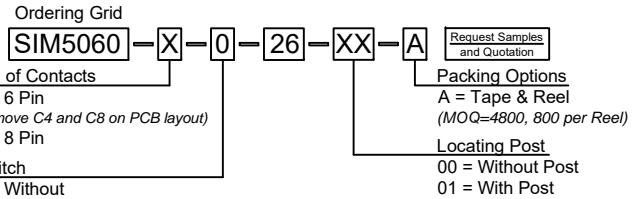
**Specifications 规格**

**Material 物料**  
 Plastic Housing 塑胶外壳: Hi-Temp Thermoplastic UL94V-0, Black  
 Contact Terminal 接触端子: Phosphor Bronze

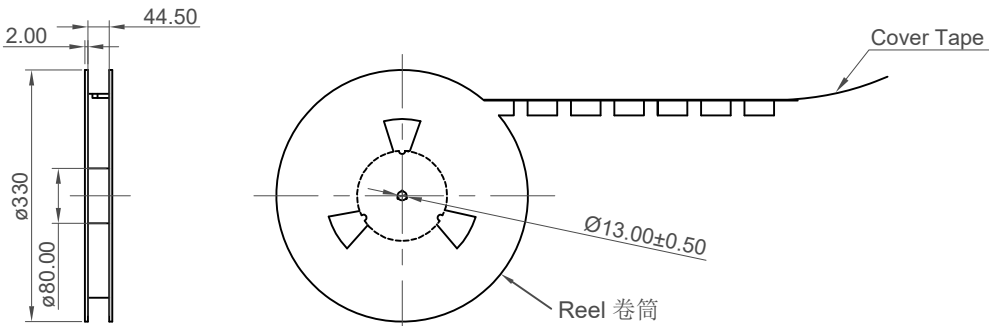
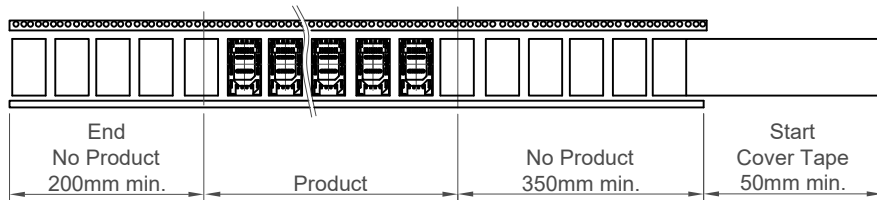
**Plating 电镀**  
 Contact Terminal plating 接触端子部分电镀:  
 Under-plating 底层电镀: 50µ" Nickel  
 Contact Area 接触部分: 3µ" Gold  
 Soldering Area 焊接部分: 100µ" Tin

**Electrical 电气**  
 Voltage Rating 电压额定值: 50 V max.  
 Current Rating 电流额定值: 1 Amp max. 10µ Amp min.  
 Operating Temperature 工作温度: -40°C to +85°C  
 Contact Resistance 接触电阻值: 50mΩ typical, 100mΩ max.  
 Insulating Resistance 绝缘电阻值: 1000MΩ min. (Apply 500V DC)  
 Dielectric Withstanding Voltage 耐电压: Withstand 500 VAC for 1 min.

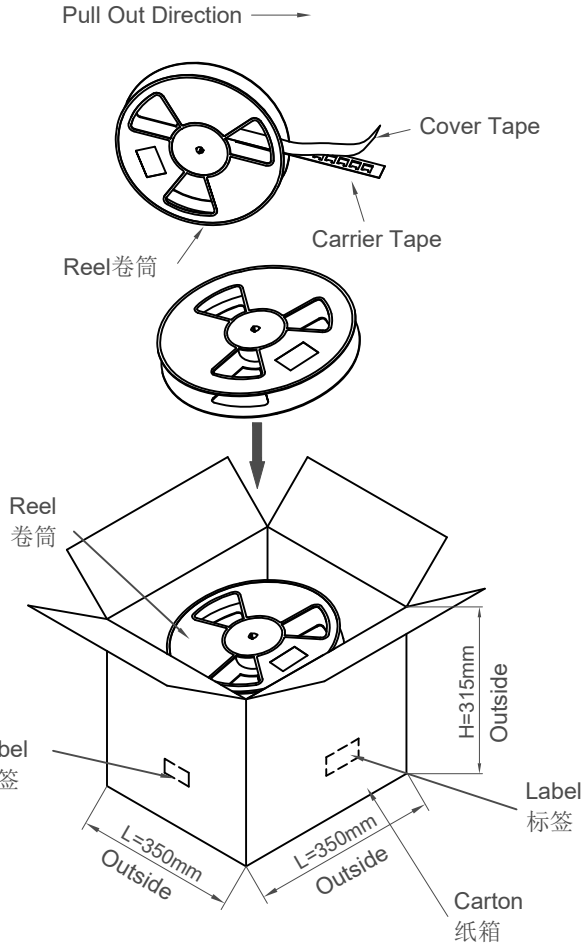
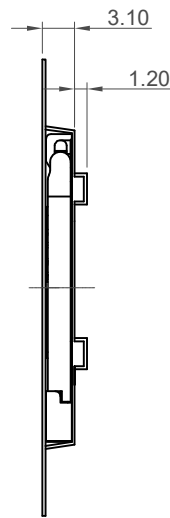
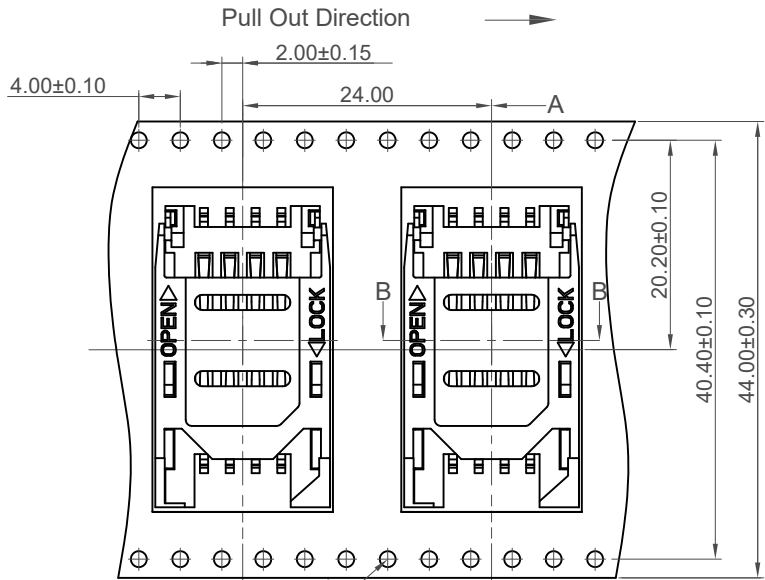
**Mechanical & Environmental 机械 & 环境**  
 Durability 耐久性: 5,000 cycles



Part Number		Product Description		 www.gct.co
SIM5060		SIM Card Connector, Hinged Type		
Drawing Date		6 or 8 Pin, SMT, 2.6mm Profile, Optional Locating Post		
13th December 2010				
By	CC	Tolerances (Except as Noted)	Units:	 This drawing is confidential and copyright of Global Connector Technology, Ltd (GCT). This drawing must not be copied or disclosed without written consent. E & OE
Detail	Drawing Release	Length	Metric (mm)	
Revision	C2	Angle	3rd Angle Projection	
Date	28/07/16	X. ± 0.30 X.X ± 0.25 X.XX ± 0.15 X.XXX ± 0.050	X.° ± 1° X.X° ± 0.5° X.XX° ± 0.25°	
Not to Scale	Drawn By	Sheet No.		
	AJO	1/2		



Gross Weight: 1.50kgs  
Quantity: 800 Pcs per Reel



Gross weight: 9.53KGS  
Quantity: 4800 Pcs per carton(6 Reels set in order)  
Dimensions: 35.00L X 35.00W X 31.50H cm

Part Number		Product Description	
SIM5060		SIM Card Connector, Hinged Type	
Drawing Date		6 or 8 Pin, SMT, 2.6mm Profile, Optional Locating Post	
13th December 2010			
By	CC	Tolerances (Except as Noted)	
Detail	Drawing Release	Length	Angle
Revision	C2	X. ± 0.30	X.° ± 1°
Date	28/07/16	X.X ± 0.25	X.X° ± 0.5°
		X.XX ± 0.15	X.XX° ± 0.25°
		X.XXX ± 0.050	
		Units:	RoHS COMPLIANT
		Metric (mm)	2011/REU
		3rd Angle Projection	Dec-8DE
This drawing is confidential and copyright of Global Connector Technology, Ltd (GCT). This drawing must not be copied or disclosed without written consent. E & OE			



Not to Scale	Drawn By AJO	Sheet No. 2/2
--------------	--------------	---------------