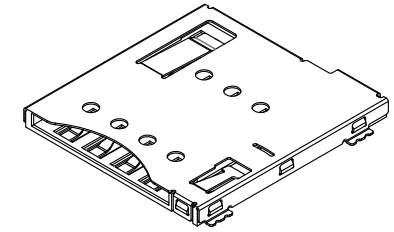
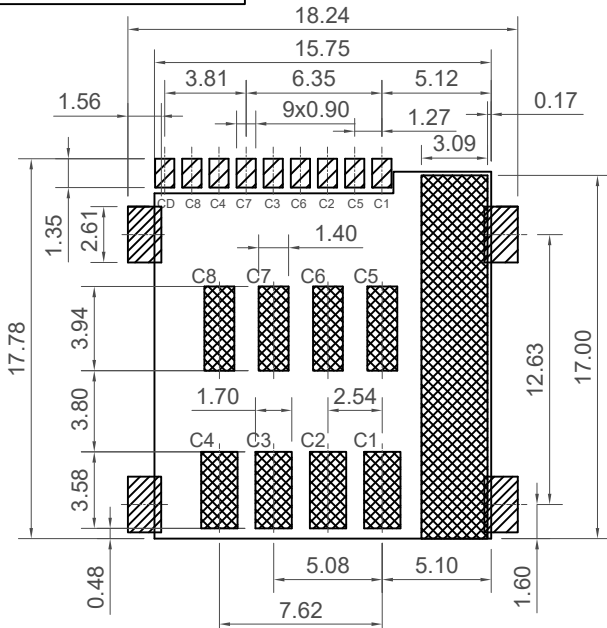
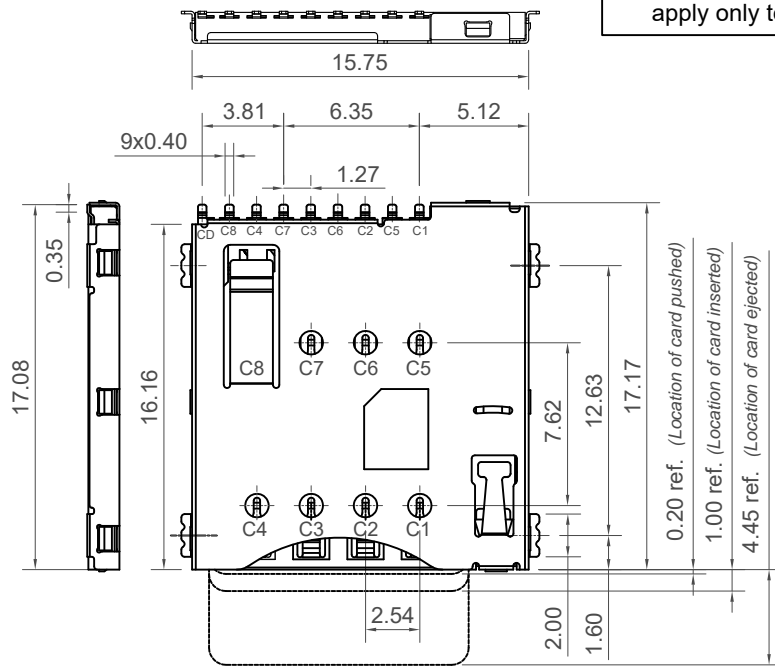


H
G
F
E
D
C
B
A

All elements marked as C4 and C8 apply only to 8 contact version.



Specification 规格:

Electrical 电气规格:

- Voltage Rating 电压额定值: 50V max.
- Current Rating 电流额定值: 1A max.
- Dielectric Withstanding 耐电压: 500V AC
- Insulation Resistance 绝缘电阻: 1000 MΩ min.
- Contact Resistance 接触电阻: 100 mΩ max. (signal)
300 mΩ max. (switch)

Material 物料规格:

- Plastic Housing & Heart Cam 塑胶底座: Thermoplastic, UL94V-0, Black
- Contact Terminal & Card Detection Switch 端子: Phosphor Bronze
- Shell & Cam Pin 外壳: Stainless Steel
- Coil Spring 弹簧: SWP (steel)

Plating 电镀规格:

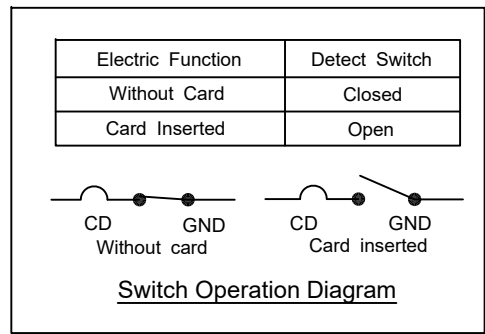
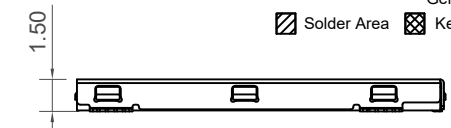
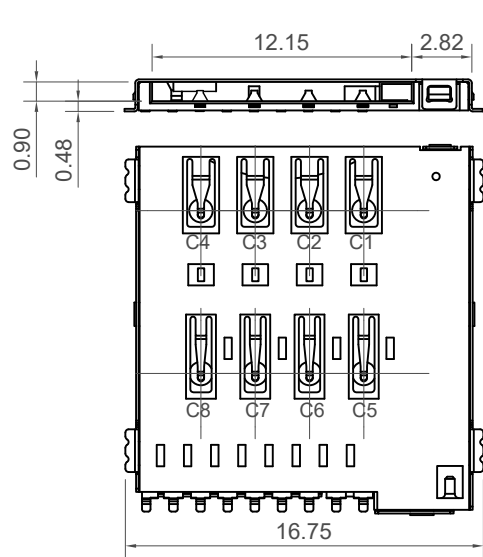
- Contact Terminal 端子: Contact Area 接触区域: 3μ" Gold
- Solder area 焊接区: Gold Flash
- Underplating 底层电镀: Ni overall 50μ" min.
- Shell 外壳: Ni overall, 30μ" min.
- Solder area 焊接区: Gold Flash

Mechanical 机械规格:

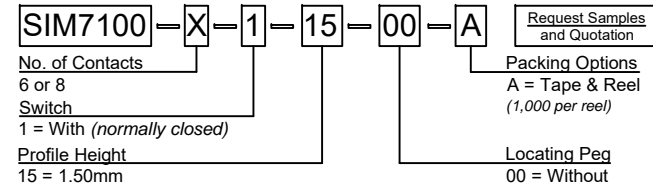
- Duration 耐久性: 1500 cycles
- Operating Temperature 工作温度: -40°C to +85°C

Recommended PCB Layout
General Tolerance ±0.05

- ▨ Solder Area
- ▩ Keep Out Area
- Component Outline



Ordering Grid



Part Number		Product Description	
SIM7100		Micro SIM Card Connector - Push-Push Type	
Drawing Date		6 or 8 Pin, SMT, 1.50mm Profile	
12th September 2014			
By	AJO	Tolerances (Except as Noted)	Units:
Detail	Drawing Release	Length: X. ± 0.35	Metric (mm)
Revision	A2	Angle: X.X° ± 5°	
Date	06/06/16	X.X ± 0.25	
		X.XX ± 0.15	
		X.XXX ± 0.10	



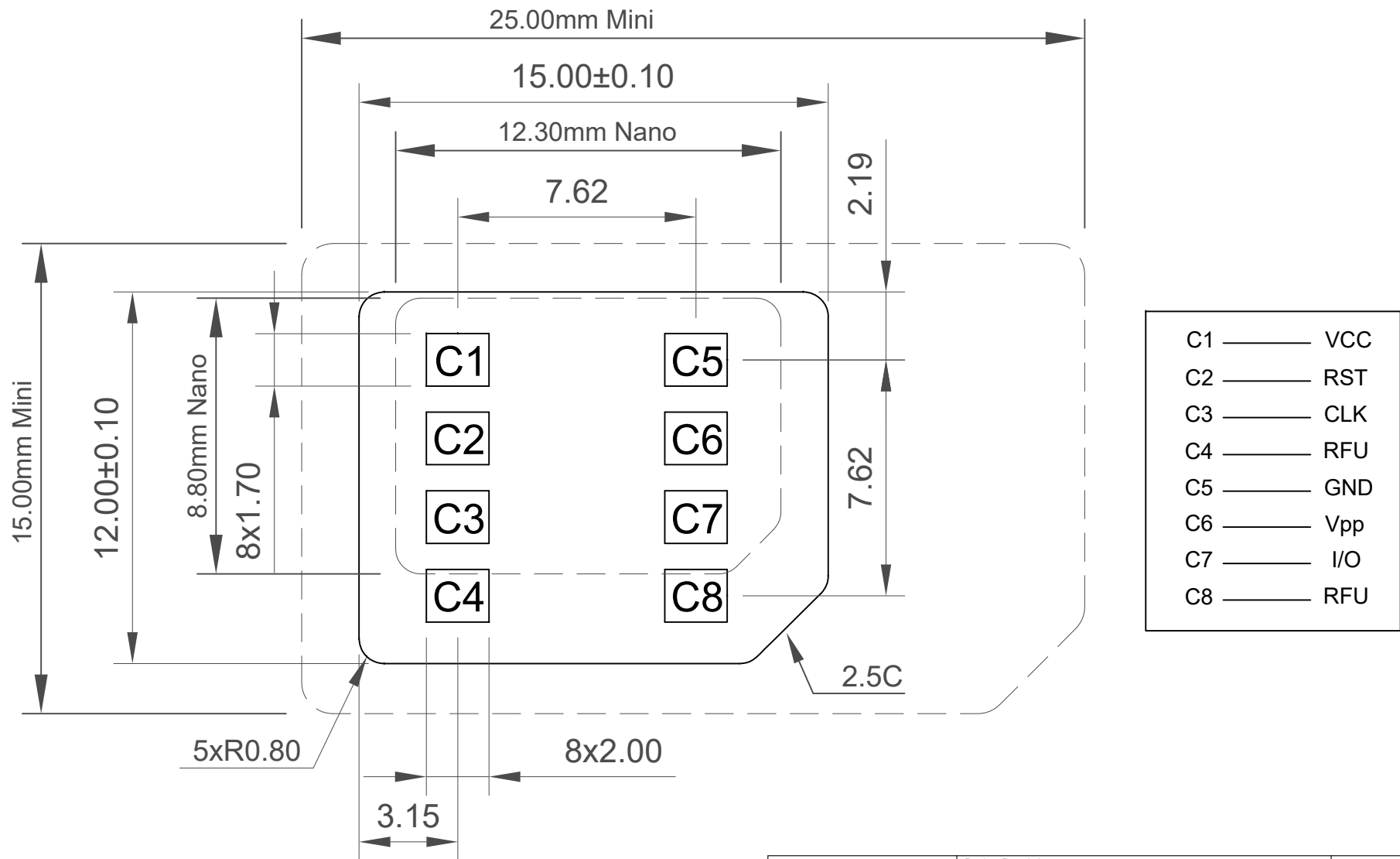
This drawing is confidential and copyright of Global Connector Technology, Ltd (GCT). This drawing must not be copied or disclosed without written consent. E & OE






Not to Scale	Drawn By AJO	Sheet No. 1/3
--------------	--------------	---------------

Micro SIM Reference

thickness = 0.76 ± 0.08

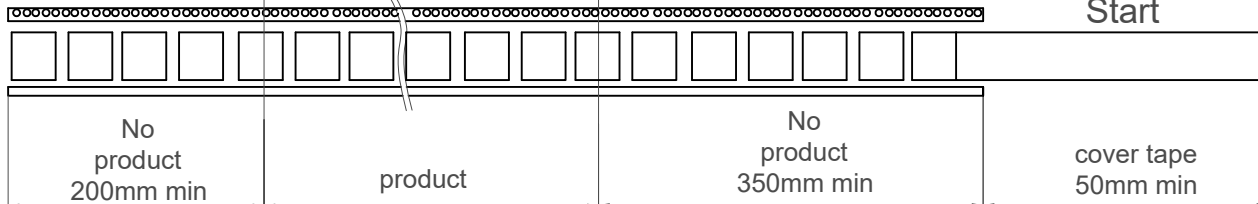


C1	VCC
C2	RST
C3	CLK
C4	RFU
C5	GND
C6	Vpp
C7	I/O
C8	RFU

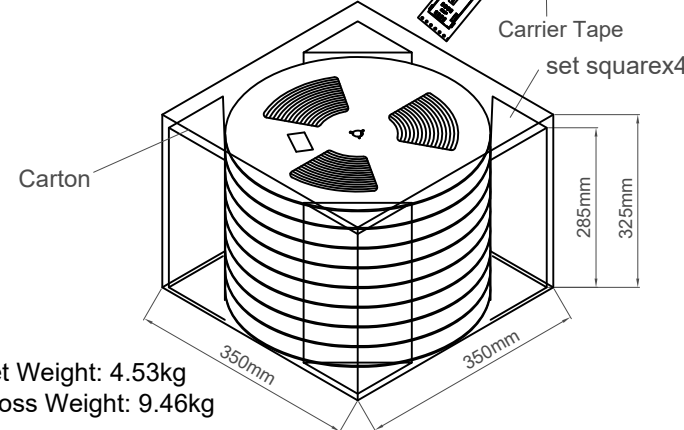
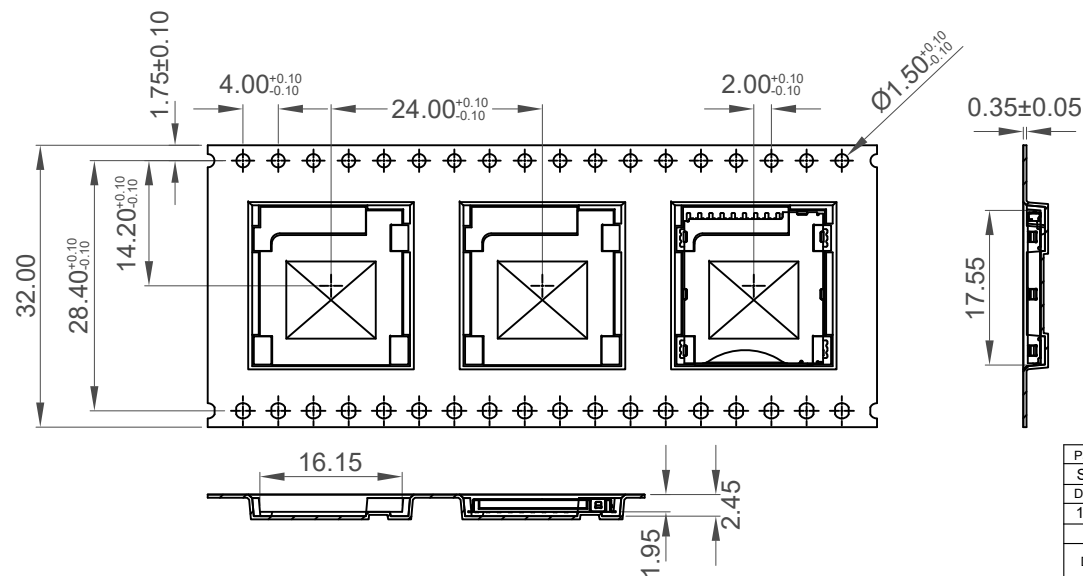
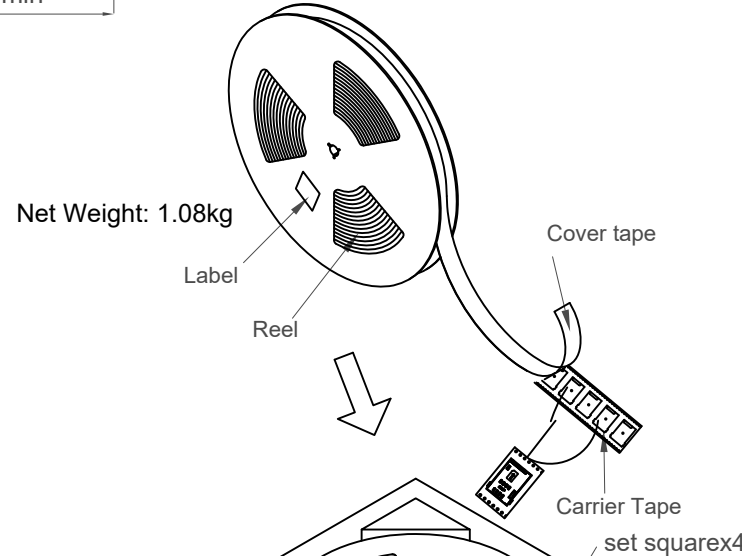
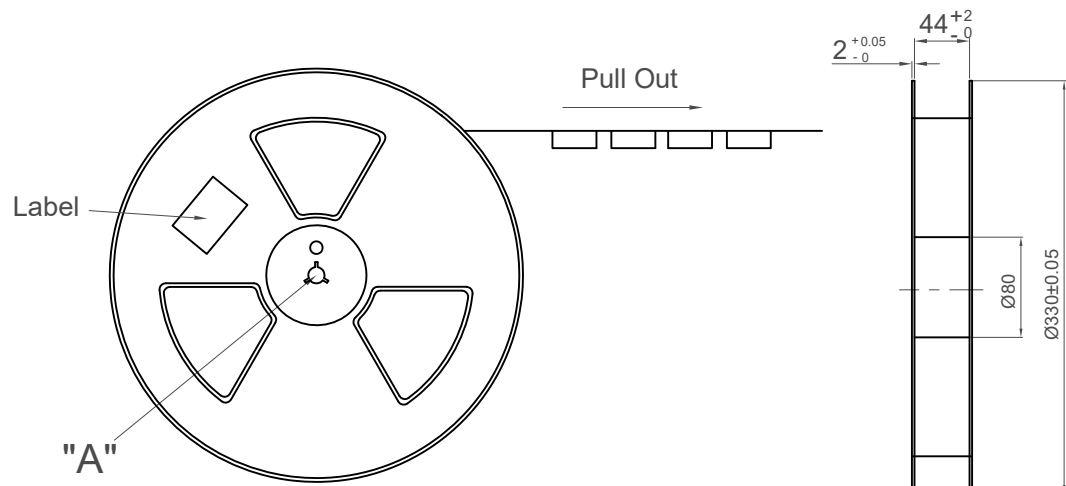
Part Number		Product Description		 www.gct.co
SIM7100		Micro SIM Card Connector - Push-Push Type		
Drawing Date		6 or 8 Pin, SMT, 1.50mm Profile		
12th September 2014				
By	AJO	Tolerances (Except as Noted)	Units:	This drawing is confidential and copyright of Global Connector Technology, Ltd (GCT). This drawing must not be copied or disclosed without written consent. E & OE
Detail	Drawing Release	Length	Metric (mm)	
Revision	A2	X. ± 0.35	All ± 2°  3rd Angle Projection	
Date	06/06/16	X.X ± 0.25		
		X.XX ± 0.15		
		X.XXX ± 0.10		
				Not to Scale Drawn By AJO Sheet No. 2/3

End

Start



Products P/N	PCS/Reel	Reels/Carton	PCS/Carton
SIM7100	1000	8	8000



Part Number SIM7100		Product Description Micro SIM Card Connector - Push-Push Type 6 or 8 Pin, SMT, 1.50mm Profile		 www.gct.co	
Drawing Date 12th September 2014					
By AJO	Tolerances (Except as Noted) Length	Units: Metric (mm)	 	This drawing is confidential and copyright of Global Connector Technology, Ltd (GCT). This drawing must not be copied or disclosed without written consent. E & OE	
Detail Drawing Release	Angle		©		
Revision A2					Not to Scale
Date 06/06/16					Drawn By AJO
				Sheet No. 3/3	