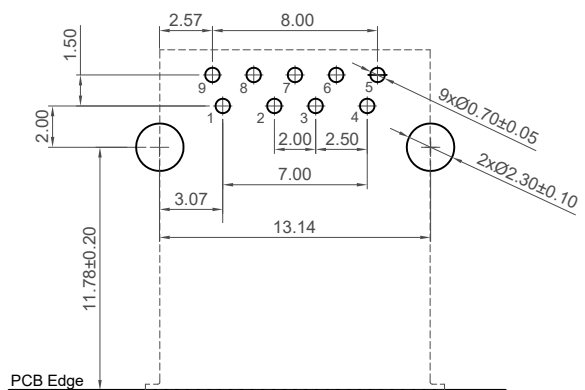
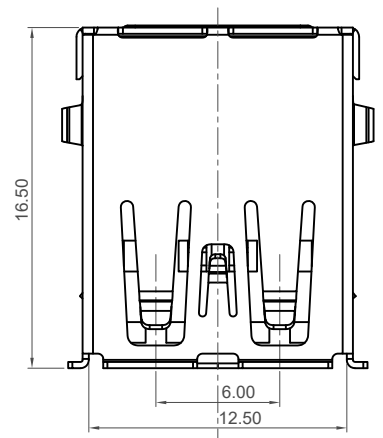
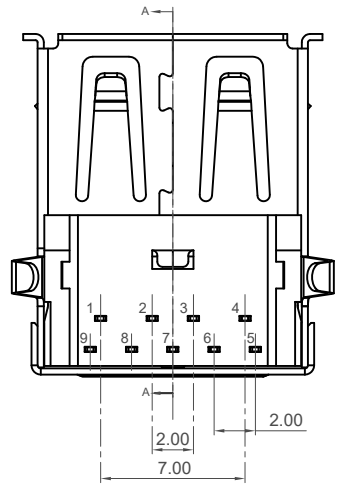
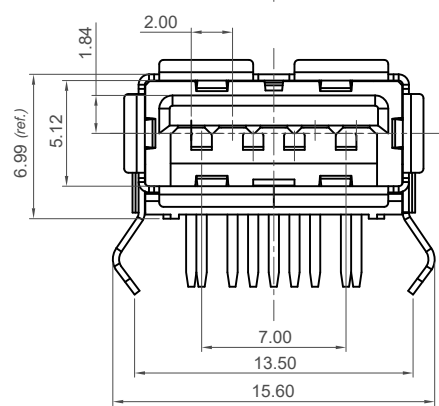
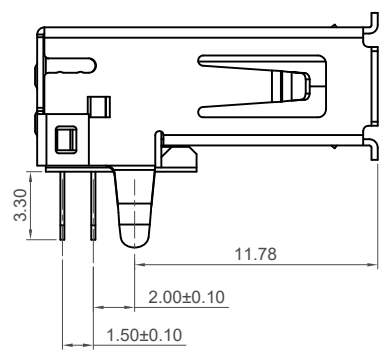
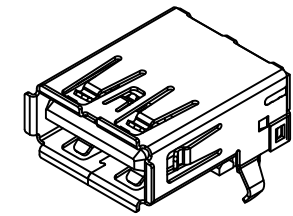
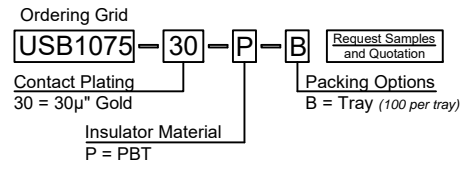
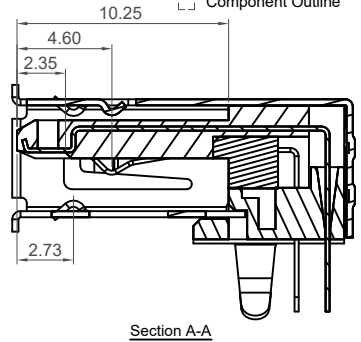


H  
G  
F  
E  
D  
C  
B  
A



**Recommended P.C.B Layout**  
as viewed from component side  
□ Component Outline



Designed to comply with physical, electrical and environmental requirements of full size USB Standard Compliance (USB3.0).

**Specifications 规格**

**Material 物料**

Plastic Housing 塑胶外壳: PBT, UL94V-0, Blue  
Contact Terminal 接触端子: Copper Alloy  
Metallic Shell 金属外壳: Copper Alloy

**Plating 电镀**

Underplating 底层电镀: Nickel  
Contact Area 接触部分: 30µ" Gold  
Solder Tails 焊接末端: 100µ" min. Tin  
Metallic Shell 金属外壳: Nickel

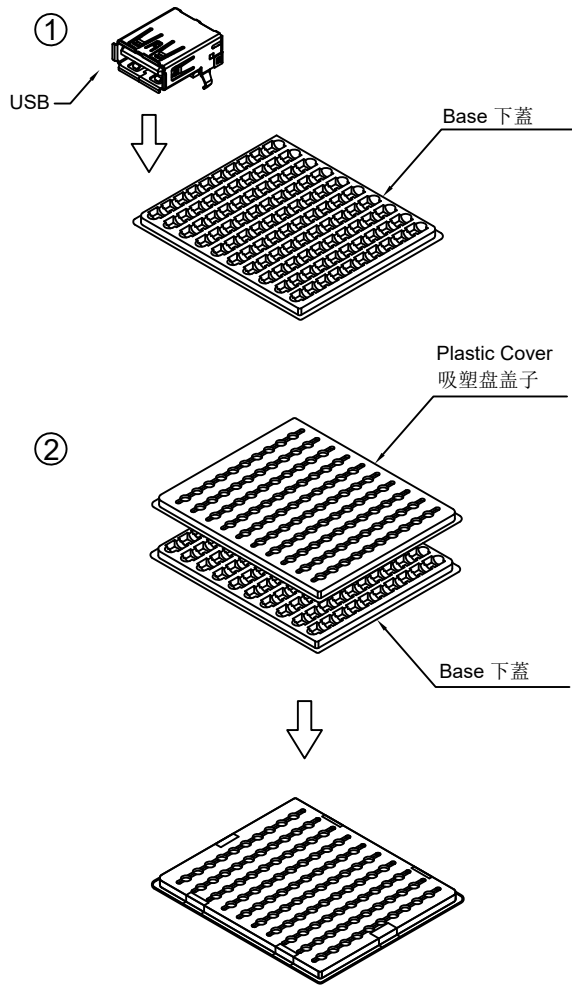
**Electrical 电气**

Voltage Rating 电压额定值: 100V  
Current Rating 电流额定值:  
0.25 A (Signal Pins 信号引脚 2,3,5,6,7,8,9)  
1.8 A (Power Pins 电源接脚 1,4)  
Operating Temperature 工作温度: -55°C to +85°C  
Contact Resistance 接触电阻值: 30 mΩ max.  
Insulating Resistance 绝缘电阻值: 1000 MΩ min.  
Dielectric Withstand Voltage 耐电压: 100V AC

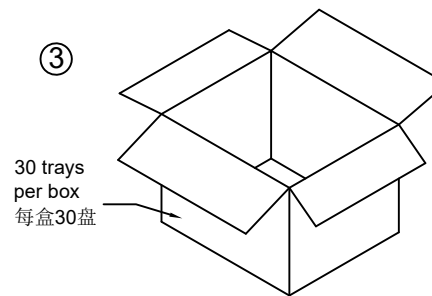
**Mechanical & Environmental 机械 & 环境**

Mating Force 插入力: 35N max.  
Unmating Force 拔出力: 10N initial, 8N min. after test  
Durability 耐久性: 5,000 Cycles

Part Number		Product Description		 www.gct.co
USB1075		USB 3.0 Receptacle, Type A, Through Hole,		
Drawing Date		Horizontal, 9 Pin, Top Mount, with Kinked Shell Stakes		
16th May 2011				
By	AJO	Tolerances (Except as Noted)		Units:
Detail	PCN:	Length	Angle	Metric (mm)
Revision	USB1075-004	X.X ± 0.40	X.X° ± 2°	 This drawing is confidential and copyright of Global Connector Technology, Ltd (GCT). This drawing must not be copied or disclosed without written consent. E & OE
Date	E1	X.XX ± 0.25	X.XX° ± 1°	
	26/03/15	X.XXX ± 0.05	X.XXX° ± 0.5°	
		3rd Angle Projection		Not to Scale
				Drawn By AJO
				Sheet No. 1/2

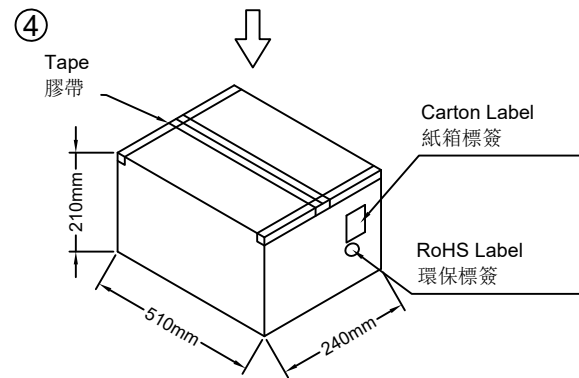


Products P/N	PCS/Tray	Trays/Carton	PCS/Carton
USB1075	100	30	3000



Packing Rules 封装规则?

1. USB's placed into the tray base. 将USB连接器放入吸塑盘内
2. Tray cover and base taped together to keep USB's in place. USB连接器放好后，加上吸塑盖，并用胶带缠绕好
3. 30 trays put into carton. 30吸塑盘一叠，放入纸箱
4. Boxed taped and label stuck on the outer carton. 用胶带封住纸箱；并贴上标签。



Part Number		Product Description	
USB1075		USB 3.0 Receptacle, Type A, Through Hole, Horizontal, 9 Pin, Top Mount, with Kinked Shell Stakes	
Drawing Date		16th May 2011	
By	AJO	Tolerances (Except as Noted)	
Detail	PCN: USB1075-004	Length	Angle
Revision	E1	X.X ± 0.40	X.X° ± 2°
Date	26/03/15	X.XX ± 0.25	X.XX° ± 1°
		X.XXX ± 0.05	X.XXX° ± 0.5°
		Units:	Metric (mm)
		3rd Angle Projection	



This drawing is confidential and copyright of Global Connector Technology, Ltd (GCT). This drawing must not be copied or disclosed without written consent. E & OE



Not to Scale	Drawn By AJO	Sheet No. 2/2
--------------	--------------	---------------