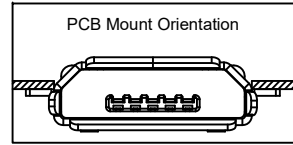
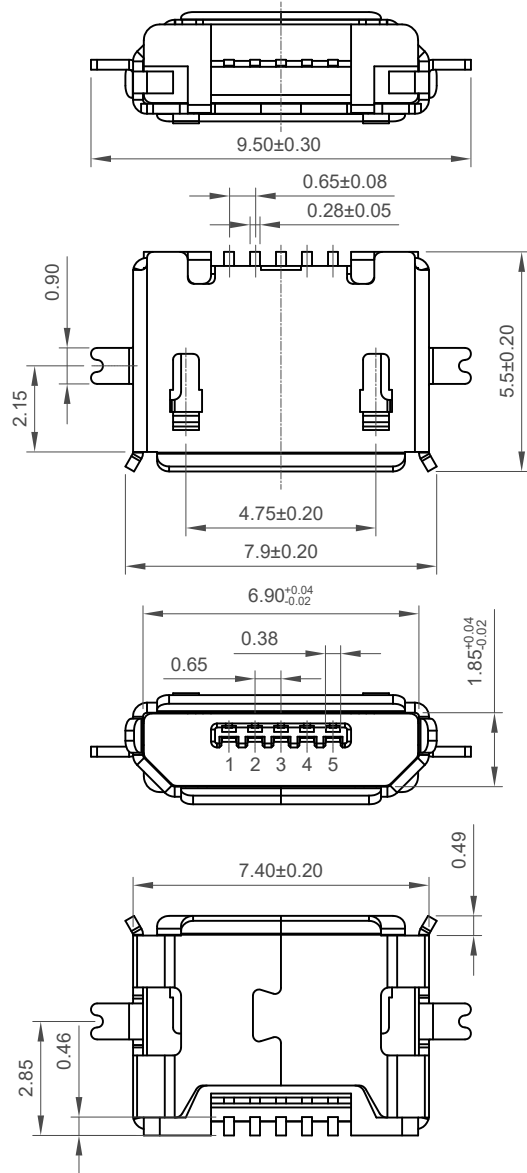
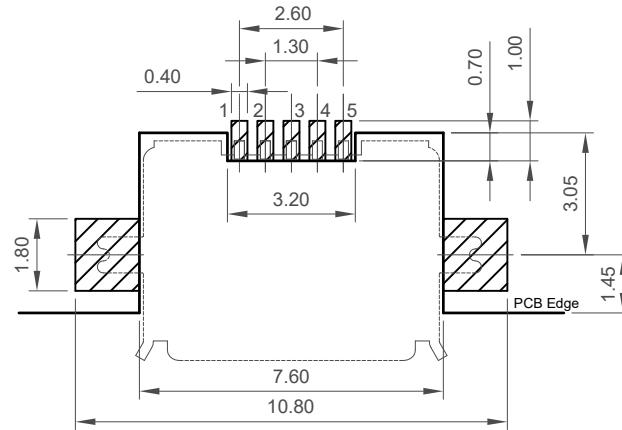


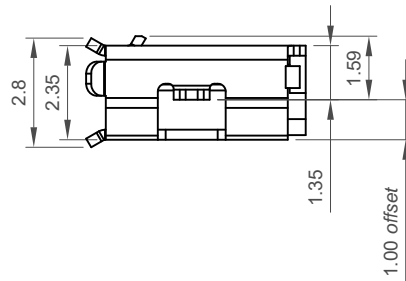
H
G
F
E
D
C
B
A



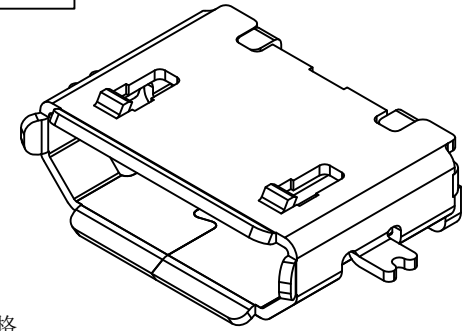
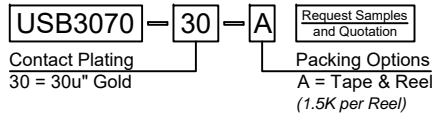
Designed to comply with physical, electrical and environmental requirements of Micro USB Standard (USB2.0).



Recommended PCB Layout
as viewed from component side General Tolerance: ±0.05
 Solder Area Component Outline



Ordering Grid



Specifications 规格

Material 物料

Plastic Housing 塑胶外壳: LCP, UL94V-0, Black
 Contact Terminal 接触端子: Copper Alloy
 Metallic Shell 金属外壳: Stainless Steel SUS 304 T = 0.25mm

Plating 电镀

Underplating 底层电镀: 50μ" Nickel
 Contact Area 接触面积: 30μ" Gold plating
 Solder Tails 焊接末端: Gold Flash
 Metallic Shell 金属外壳: Matte Tin

Electrical 电气

Voltage Rating 电压额定值: 30 V AC
 Current Rating 电流额定值: Signal (Pins 2,3,4): 1.0 A.
 Power (Pins 1,5): 1.8A.
 Operating Temperature 工作温度: -30°C to +85°C
 Contact Resistance 接触电阻值: 30 mΩ max.
 Insulating Resistance 绝缘电阻值: 1000 MΩ min.
 Dielectric Withstand Voltage 耐电压: 500V AC/minute

Mechanical & Environmental 机械 & 环境

Mating Force 插入力: 35N max.
 Unmating Force 拨出力: Initial 10N min.
 Final 8N min after durability test
 Durability 耐久性: 10,000 Cycles

Part Number		Product Description	
USB3070		Micro USB Receptacle, Type B, Mid-Mount SMT, Right Angled, Bottom Mount, 1.00mm Offset, Without Peg	
Drawing Date		4th April 2011	
By	CC	Tolerances (Except as Noted)	Units:
Detail	USB3070	Length	Metric (mm)
Revision	E3	Angle	3rd Angle Projection
Date	13/02/17	X.X ± 0.4	X.X° ± 2°
		X.XX ± 0.25	X.XX° ± 1°
		X.XXX ± 0.05	X.XXX° ± 0.5°

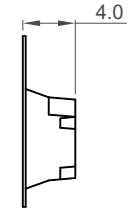
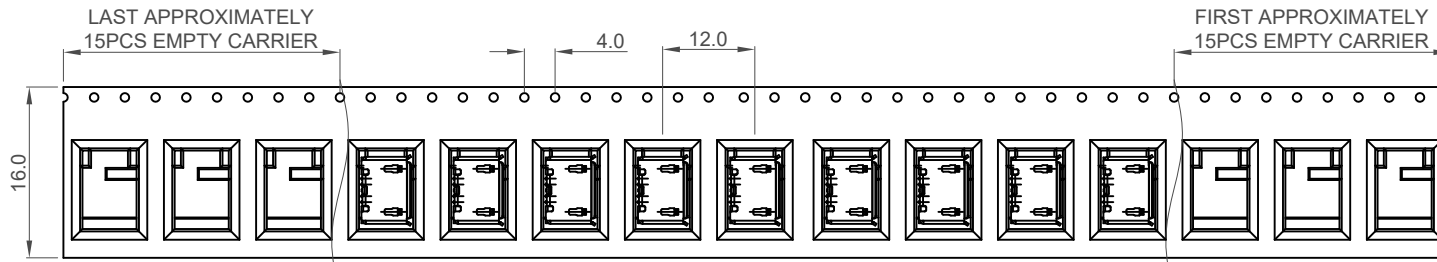


This drawing is confidential and copyright of Global Connector Technology, Ltd (GCT). This drawing must not be copied or disclosed without written consent. E & OE

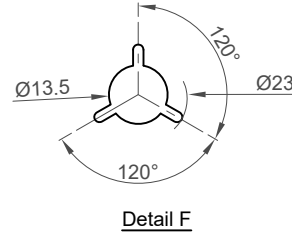
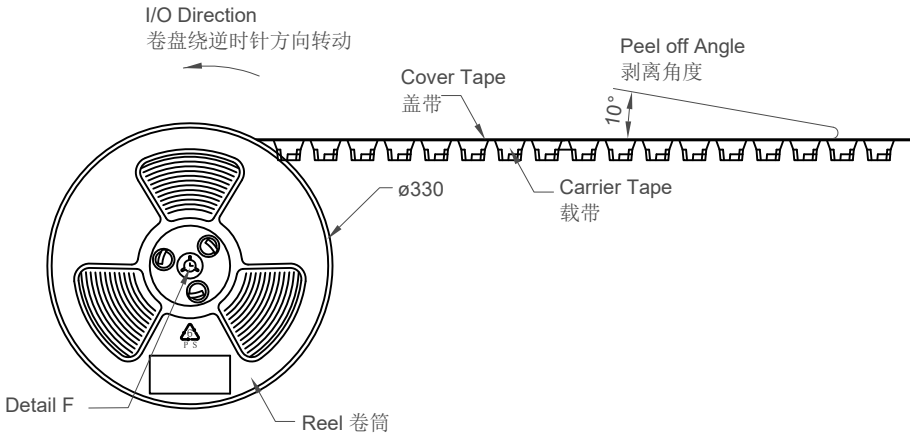


Not to Scale
 Drawn By SA
 Sheet No. 1/2

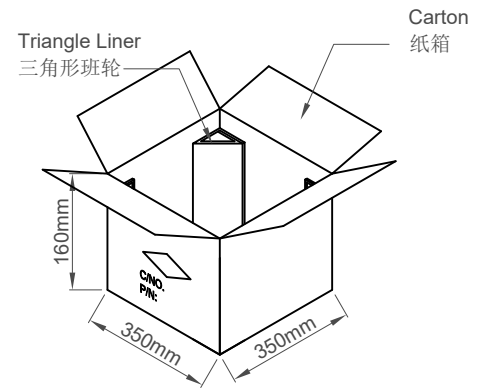
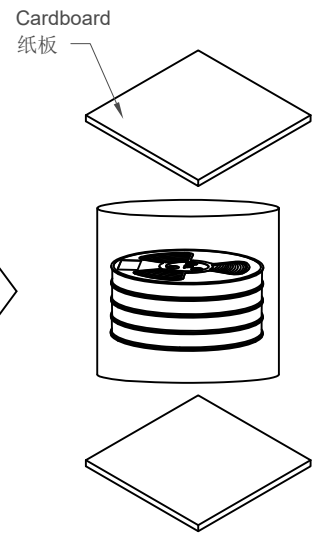
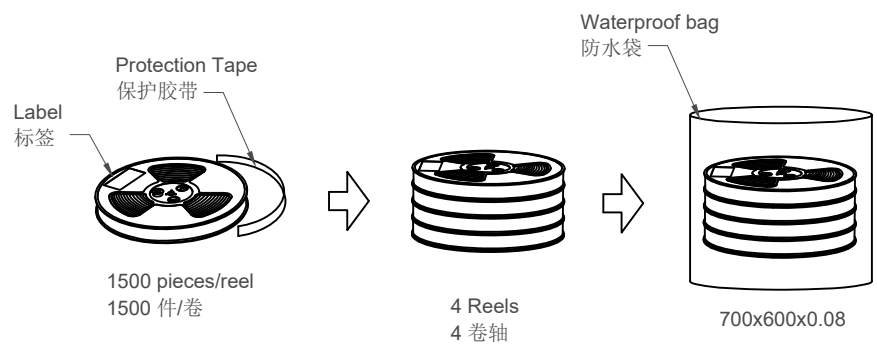
1 2 3 4 5 6 7 8



Products P/N	PCS/Reel	Reels/Carton	PCS/Carton
USB3070	1500	4	6000



- Notes/注意:
1. Peeling off force of top tape: 0.1-1.3N
 2. Part Conforms to EIA-481-C Standards 产品符合EIA-481-C标准
 3. All dimensions in millimeters 所有尺寸均是毫米
 4. 10 sprocket hole pitch cumulative tolerance ±0.2mm



Part Number USB3070		Product Description Micro USB Receptacle, Type B, Mid-Mount SMT, Right Angled, Bottom Mount, 1.00mm Offset, Without Peg	
Drawing Date 4th April 2011			
By CC	Tolerances (Except as Noted) Length Angle	Units: Metric (mm)	
Detail USB3070 E PCN		3rd Angle Projection	
Revision E3			
Date 13/02/17			

GCT
www.gct.co

This drawing is confidential and copyright of Global Connector Technology, Ltd (GCT). This drawing must not be copied or disclosed without written consent. E & OE

Not to Scale	Drawn By SA	Sheet No. 2/2
--------------	----------------	------------------