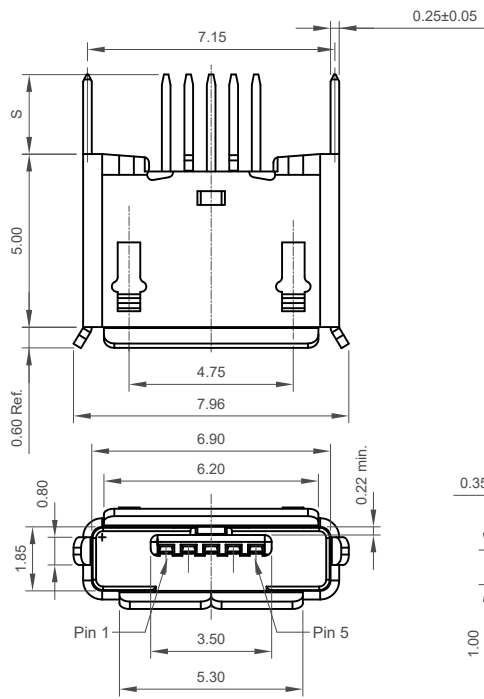
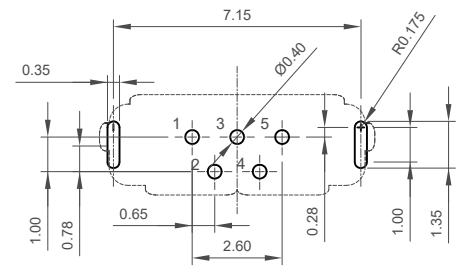
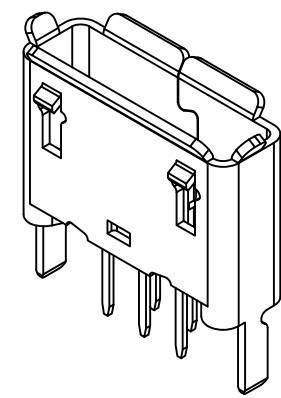


H
G
F
E
D
C
B
A

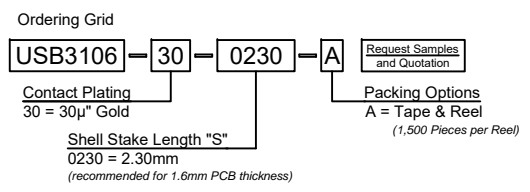
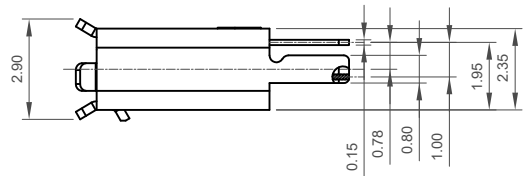
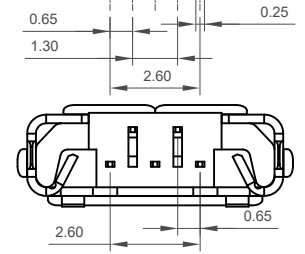
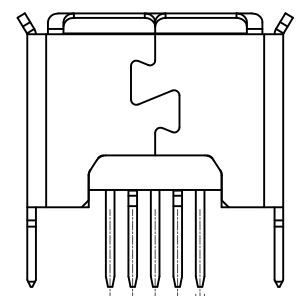


Designed to comply with physical, electrical and environmental requirements of Micro USB Standard (USB2.0)
A/B types support USB On-The-GO (OTG) interface.

If you seek shorter shell stakes for use with PCB thickness 1.00mm (.039"), see USB3105.



Recommended PCB Layout
As viewed from component side General Tolerance: ±0.05



Specifications 规格

Materials 材料

Plastic Housing 胶芯: LCP, UL 94V-0, Black,
Contact Terminal 端子: Copper Alloy
Metallic Shell 金属外壳: Stainless Steel SUS304-1/2H T=0.25mm

Plating 电镀

Underplating 底层电镀: Nickel 50µ" min.
Plating 电镀:
Contact Area 接触区: 30µ" Gold plating
Solder Tails 焊接区: Gold Flash
Metallic Shell 金属外壳: Nickel

Electrical 电气

Voltage Rating 电压额定值: 30V
Current Rating 电流额定值: Signal (Pins 2,3,4): 1.0 A.
Power (Pins 1,5): 1.8A.
Operating Temperature 工作温度: -55°C to +85°C.
Contact Resistance 接触电阻值: 30 mΩ max.
Insulating Resistance 绝缘电阻值: 1000 MΩ min.
Dielectric Withstand Voltage 耐电压: 100V AC for 1 minute

Mechanical & Environmental 机械 & 环境

Mating Force 插入力: 35N max.
Unmating Force 拔出力: Initial 10N min.
Final 8N min after durability test.
Durability 耐久性: 10,000 Cycles

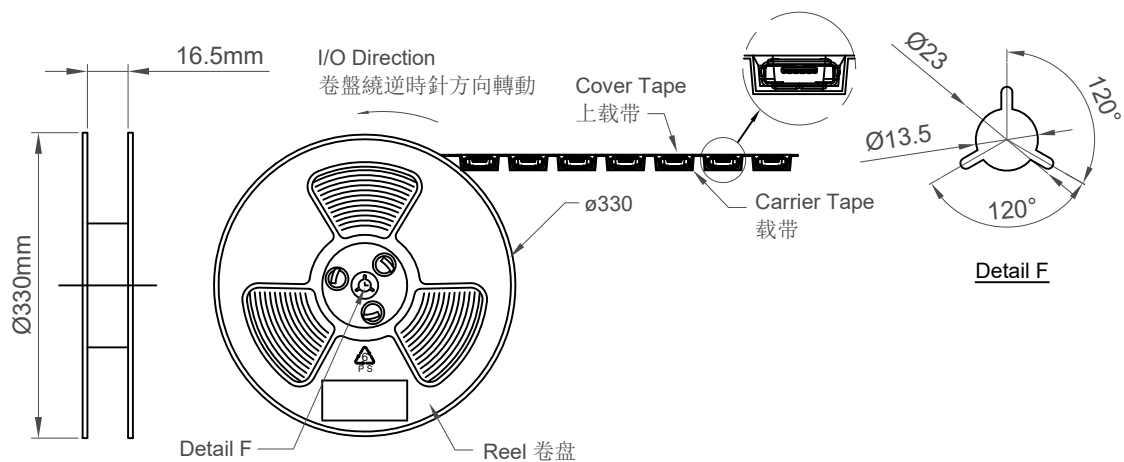
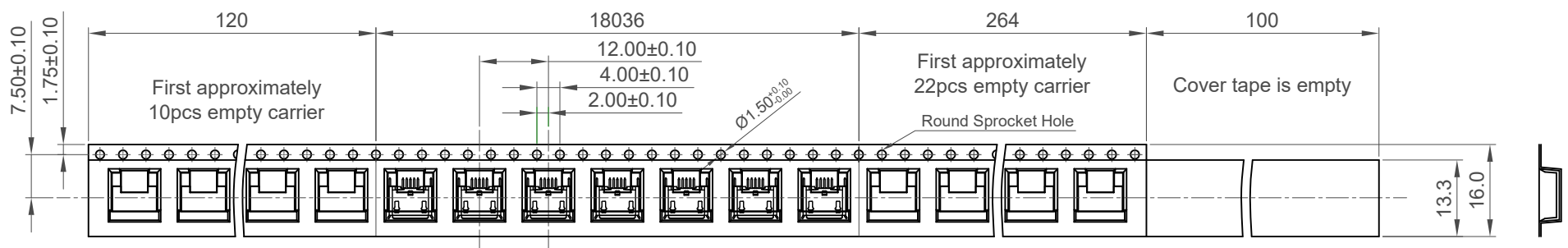
Part Number		Product Description	
USB3106		Micro USB Receptacle, Type A/B, Vertical, Through Hole with 2.30mm (Standard) Shell Stakes	
Drawing Date 28th October 2013			
By	CC	Tolerances (Except as Noted)	Units:
Detail	USB3106 B PCN	Length X.X ± 0.35 X.XX ± 0.25	Metric (mm)
Revision	B3	Angle	3rd Angle Projection
Date	23/02/17		

GCT
www.gct.co

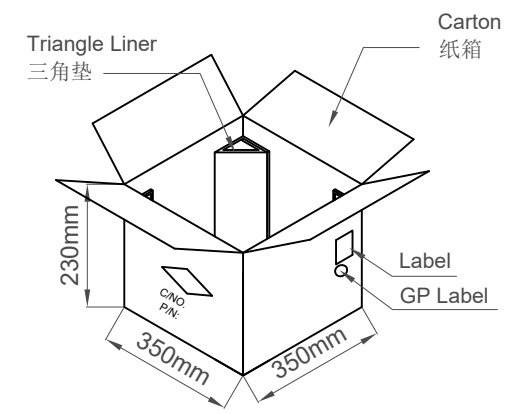
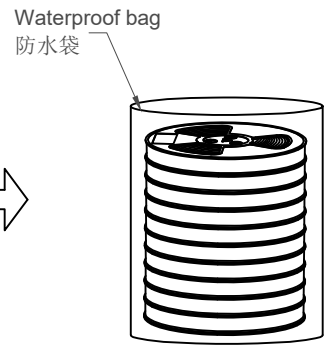
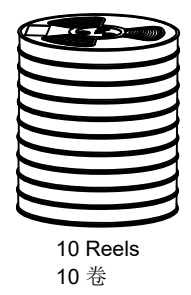
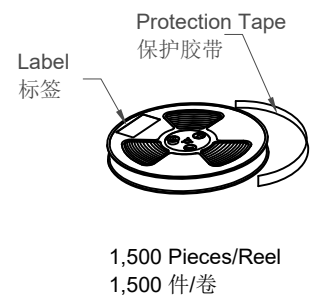
This drawing is confidential and copyright of Global Connector Technology, Ltd (GCT). This drawing must not be copied or disclosed without written consent. E & OE

Not to Scale
Drawn By AJO
Sheet No. 1/2

H
G
F
E
D
C
B
A



Products P/N	PCS/Reel	Reels/Carton	PCS/Carton
USB3106	1,500	10	15,000



Part Number		Product Description	
USB3106		Micro USB Receptacle, Type A/B, Vertical, Through Hole with 2.30mm (Standard) Shell Stakes	
Drawing Date		28th October 2013	
By	CC	Tolerances (Except as Noted)	Units:
Detail	USB3106 B PCN	Length	Metric (mm)
Revision	B3	Angle	3rd Angle Projection
Date	23/02/17	X.X ± 0.35	
		X.XX ± 0.25	



This drawing is confidential and copyright of Global Connector Technology, Ltd (GCT). This drawing must not be copied or disclosed without written consent. E & OE



Not to Scale	Drawn By AJO	Sheet No. 2/2
--------------	--------------	---------------