



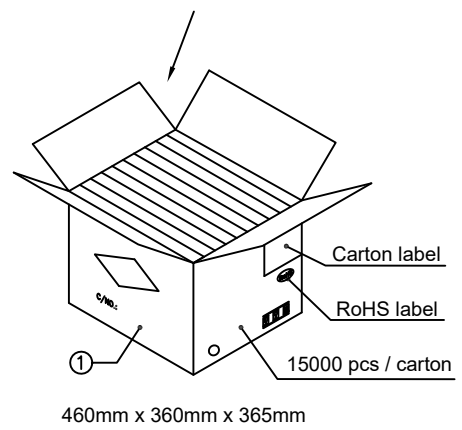
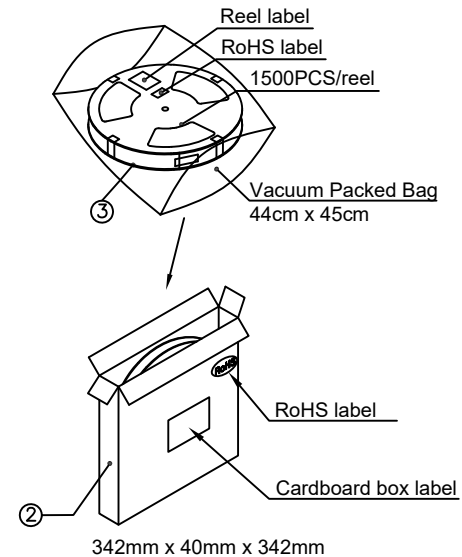
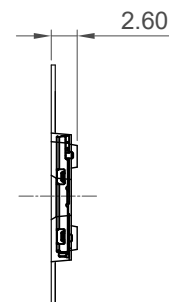
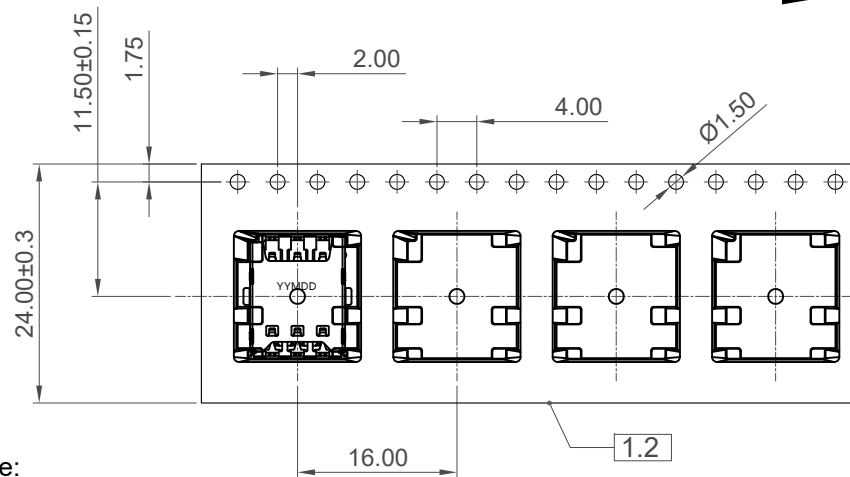
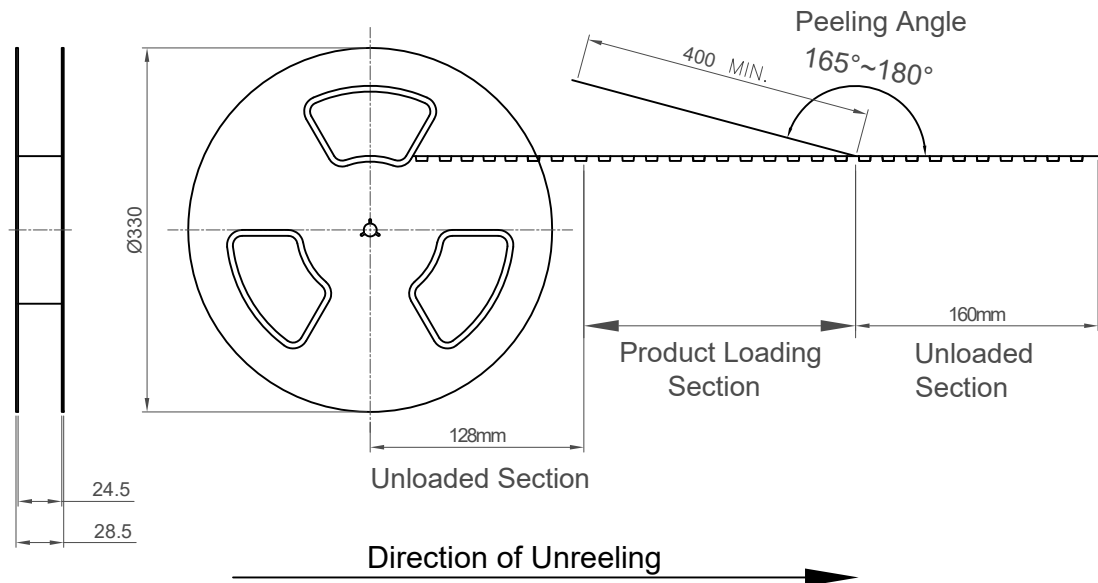


- C1----->VCC
- C2----->RST
- C3----->CLK
- C5----->GND
- C6----->Vpp
- C7----->I/O

Reference

Part Number		Product Description		 www.gct.co
SIM8051		Nano SIM Card Connector		
Drawing Date		Push-Pull Type, 6 Pin, SMT, Profile 1.35mm		
28th April 2015				
By	CC	Tolerances (Except as Noted)	Units:	  This drawing is confidential and copyright of Global Connector Technology, Ltd (GCT). This drawing must not be copied or disclosed without written consent. E & OE
Detail	SIM8051 D PCN	Length X: ± 0.35 X.X ± 0.25 X.XX ± 0.15 X.XXX ± 0.10	Metric (mm)	
Revision	D1	All ± 2°	 3rd Angle Projection	
Date	12/12/16			
Not to Scale	Drawn By AJO	Sheet No. 2/3		



Note:

- Material:**
 Box: Fibreboard, Corrugated, Double wall.
 Tape: Polystyrene, Heat-resistant temperature: 120°C, black color.
 Reel: Polystyrene, Heat-resistant temperature: 70°C, blue color.
 Bag: Polyethylene, Heat-resistant temperature: 100°C.
 Peeling Strength: 0.1 ~ 1.3 n (10 ~ 130 grams)
 Peeling Speed: 300 mm/min.

Products P/N	PCS/Reel	Reels/Carton	PCS/Carton
SIM8051	1500	10	15000

Part Number		Product Description	
SIM8051		Nano SIM Card Connector	
Drawing Date		Push-Pull Type, 6 Pin, SMT, Profile 1.35mm	
28th April 2015			
By	CC	Tolerances (Except as Noted)	Units:
Detail	SIM8051	Length	Metric (mm)
Revision	D PCN	Angle	3rd Angle Projection
Date	D1		
	12/12/16		



This drawing is confidential and copyright of Global Connector Technology, Ltd (GCT). This drawing must not be copied or disclosed without written consent. E & OE



Not to Scale Drawn By AJO Sheet No. 3/3