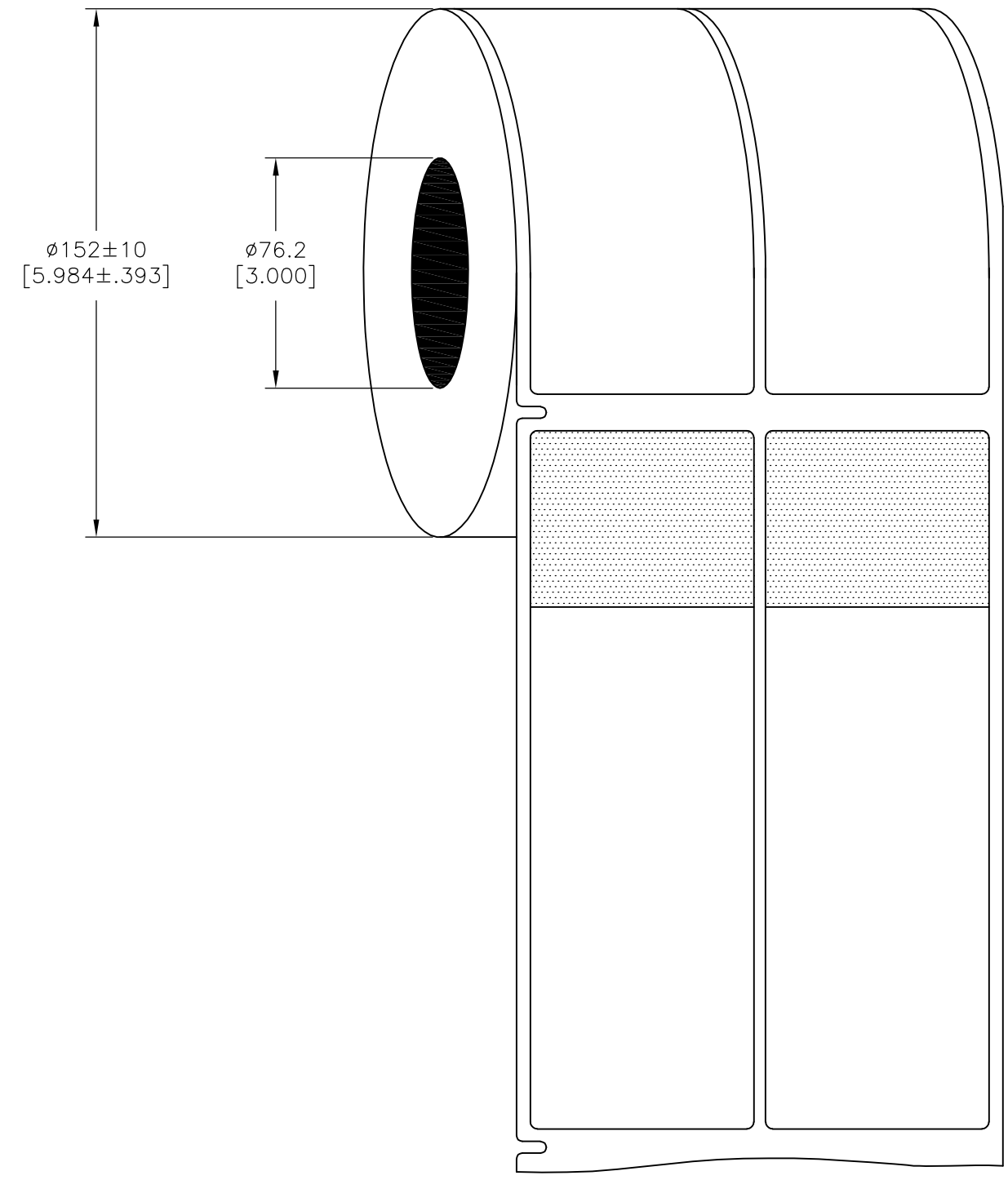
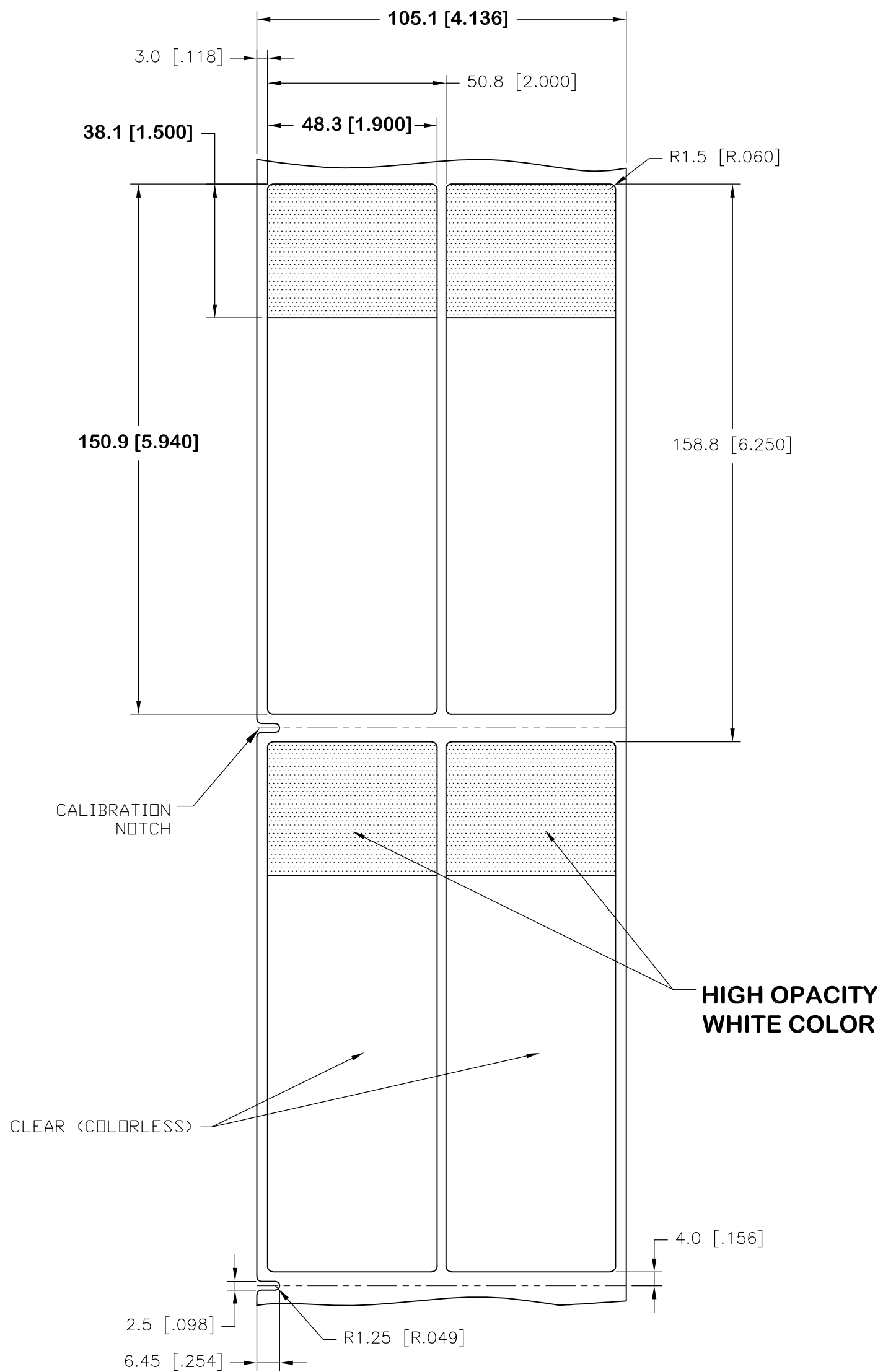


REVISIONS					
P	LTR	DESCRIPTION	DATE	DWN	APVD
A		NEW DRAWING	22MAR2017	GK	DB

LABEL AND LINER DESIGN

PRESENTATION



**OUTSIDE WOUND LABEL ACROSS: 2
 PER ROLL QTY: 1000**

All dimensions in mm [Inch]

**UL RECOGNIZED BY UNDERWRITERS LABORATORIES INC.
 IN UL FILE MH61871-PGIS2 CATEGORY-SBP LABEL, PRINTER AND RIBBON**

TE PN: CN9931-000

MATERIAL	CLEAR VINYL
ADHESIVE TYPE	ACRYLIC PERMANENT
LINEAR	WHITE GLASSINE
DWN	GOPALAKRISHNA HV
CHK	D.BURGAT
APVD	D.BURGAT
PRODUCT SPEC	TTDS-211
APPLICATION SPEC	REV. 8 OR GREATER
SIZE	A2
CAGE CODE	00779
DRAWING NO	C=SBP190594WE1
RESTRICTED TO	-
WEIGHT	1.013g
CUSTOMER DRAWING	SCALE NTS SHEET 1 OF 1 REV A

THIS DRAWING IS A CONTROLLED DOCUMENT.	
TOLERANCES mm [INCH]	TOLERANCES UNLESS OTHERWISE SPECIFIED
LABEL HEIGHT: ±0.3 [0.012]	0 PLC ±
LABEL WIDTH: ±0.3 [0.012]	1 PLC ±
WEB WIDTH: ±0.8 [0.031]	2 PLC ±
VERTICAL REPEAT: ±0.8 [0.031]*	3 PLC ±
HORIZONTAL REPEAT: ±0.8 [0.031]*	4 PLC ±
PRINT POSITIONING: ±0.8 [0.031]*	ANGLES ±
LEFT MARGIN: ±0.4 [0.016]	FINISH
QUANTITY: -0 % +2 %	GLOSSY
*NON ACCUMULATING	