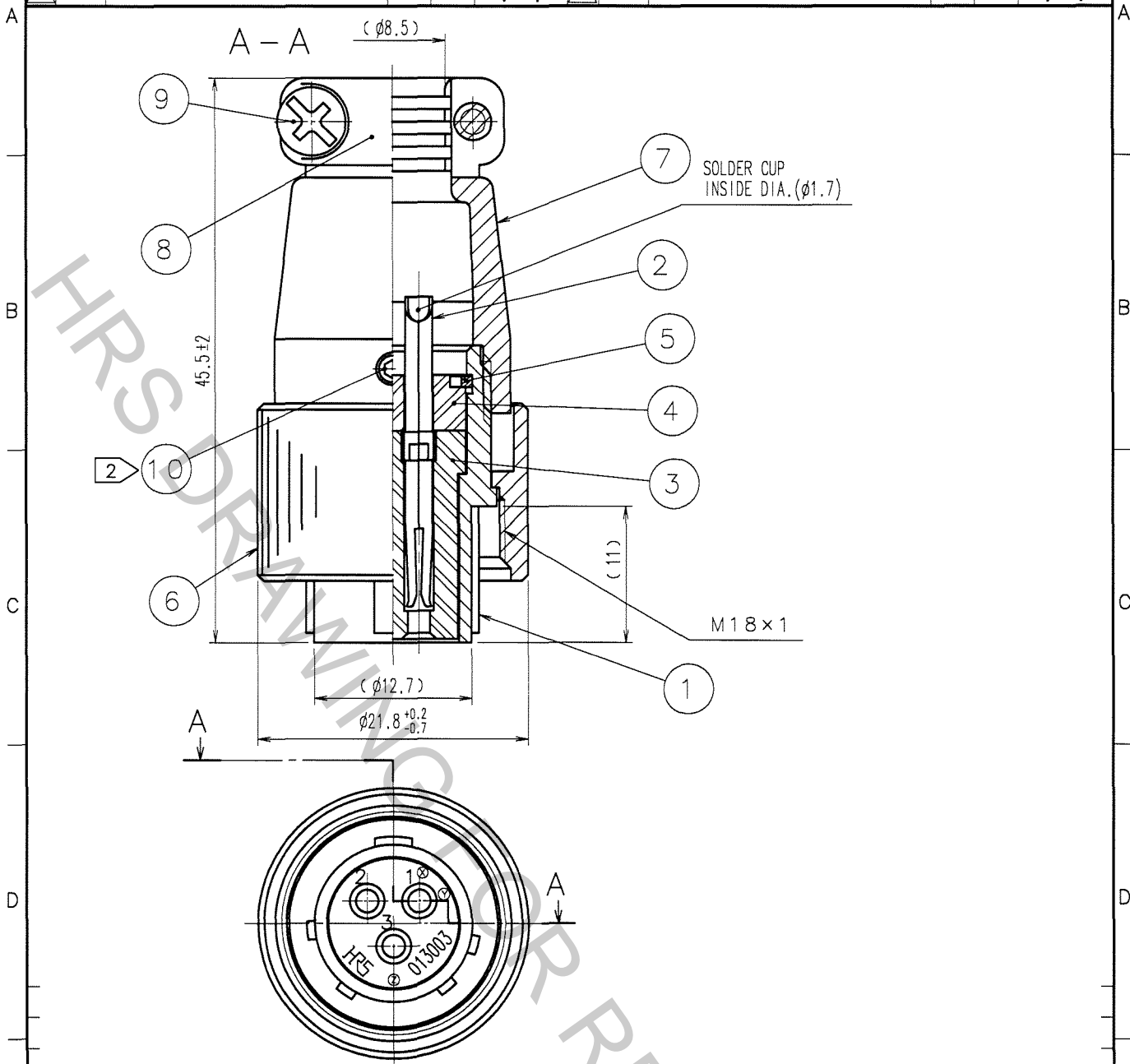


1		2			3			4		
COUNT	DESCRIPTION OF REVISIONS	BY	CHKD	DATE	COUNT	DESCRIPTION OF REVISIONS	BY	CHKD	DATE	
△					△					
△					△					
△					△					



NOTES 1. ROTATION EXAMPLES OF REF.NO. ① AND ⑦ ARE SHOWN.
 ② ACROSS FLATS OF HEXAGON HEAD OF REF.NO. ⑩ TO BE 1.27mm.

5	PHOSPHOR BRONZE	NICKEL PLATING	10	STEEL	NICKEL PLATING, HEX SOCKET SET SCREW M2.6×0.45×2
4	PHENOL FORMALDEHYDE	(BLACK) UL94V-0	9	BRASS	NICKEL PLATING M3×0.5×8
3	PHENOL FORMALDEHYDE	(BLACK) UL94V-0	8	ALUMINUM ALLOY	MATTE FINISH NICKEL PLATED
2	COPPER ALLOY	SILVER PLATING, 2μm min	7	ALUMINUM ALLOY	MATTE FINISH NICKEL PLATED
1	ALUMINUM ALLOY	MATTE FINISH NICKEL PLATED	6	ALUMINUM ALLOY	MATTE FINISH NICKEL PLATED
NO.	MATERIAL	FINISH, REMARKS	NO.	MATERIAL	FINISH, REMARKS

CODE NO. (OLD)	DRAWN	DESIGNED	CHECKED	APPROVED	RELEASED
	J. Horie	E. Yamai		M. Sato	
	06.03.26	06.03.26		06.03.27	

TO
R

SCALE	DRAWING NO.	PART NO.
2 : 1	EDC4-024135-71	JR13PK-3S(71)
UNITS	CODE NO.	
mm	CL114-0509-9-71	

HRS HIROSE ELECTRIC CO., LTD.

1/1