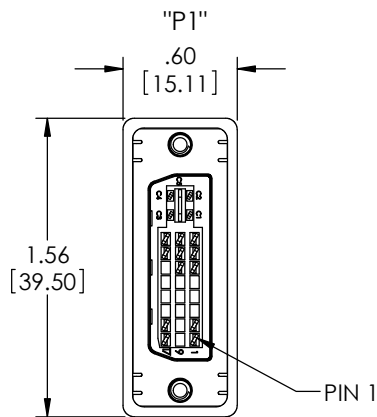


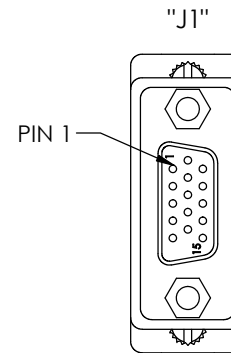
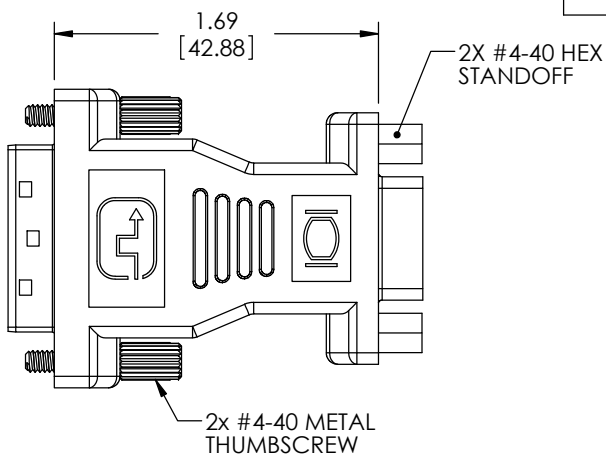
THE INFORMATION CONTAINED IN THIS DRAWING IS THE SOLE PROPERTY OF L-COM, INC. ANY REPRODUCTION IN PART OR WHOLE WITHOUT THE WRITTEN PERMISSION OF L-COM, INC. IS PROHIBITED.

REVISIONS			
REV	DESCRIPTION	DATE	APPROVED
F	ECN 6221: CN RELEASE	10/24/11	D.PARHAM
G	ECN 6304: ADD TOLERANCE TO SCREW PROTRUSION	7/26/12	D.FRISIELLO

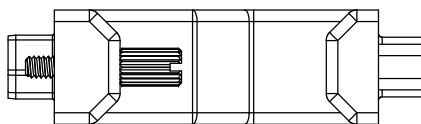
D  
C  
B  
A



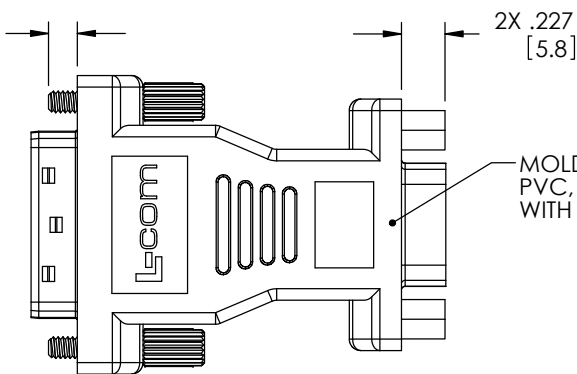
MALE DVI-A CONNECTOR



FEMALE 15-PIN HIGH DENSITY D-SUB CONNECTOR



$\triangle G$  2X .150±.010 [3.8±.25]



MOLDED HOOD, PVC, GRAY (PANTONE 424C) WITH 360° FOIL SHIELDING

RoHS Compliant ✓

WIRING TABLE	
"P1"	"J1"
C5	6, 7, 8
C4	13
C3	3
C2	2
C1	1
15	5, 10
14, 16	9
8	14
7	12
6	15
SHELL	SHELL

NOTES:

- ADAPTOR IS SHIPPED WITH DUST COVERS ASSEMBLED (NOT SHOWN).
- ADAPTOR SHALL BE TESTED FOR CONTINUITY.
- ADAPTOR SHALL BE INDIVIDUALLY PACKAGED IN ACCORDANCE WITH L-COM SPEC. PS-0031.

UNLESS OTHERWISE SPECIFIED, DIMENSIONS ARE IN INCHES [mm] OVERALL CABLE LENGTH TOLERANCE: $\leq 12$ [305] = +1 [25] / -0 $>12$ [305] $\leq 60$ [1524] = +2 [51] / -0 $>60$ [1524] $\leq 120$ [3048] = +4 [102] / -0 $>120$ [3048] $\leq 300$ [7620] = +6 [152] / -0 $>300$ [7620] = +3% / -0% ALL OTHER DIMENSIONAL TOLERANCES: .X = ± .2 .XX = ± .02 .XXX = ± .005	APPROVALS T CLARK CHECKED BY D PARHAM APPROVED BY C MCCORMICK	DATE 4/6/2002 4/12/2002 4/12/2002		45 BEECHWOOD DRIVE NORTH ANDOVER, MA 01845	
	CONFIGURATION DETAILS OF UNDIMENSIONED FEATURES MAY VARY			CATEGORY VIDEO	
	PROJECTION 	COLOR VARIATIONS MAY OCCUR	SIZE <b>A</b>	FSCM NO. <b>43321</b>	DWG. NO. <b>DMB601MF</b>
	SCALE: NONE		CAD FILE: DMB601MF.SLDDRW		SHEET 1 OF 1

8 7 6 5 4 3 2 1