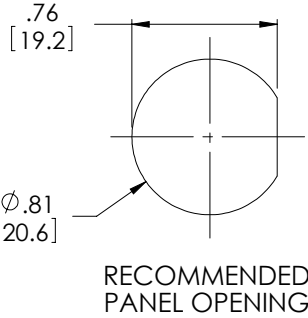
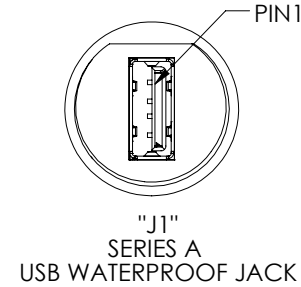
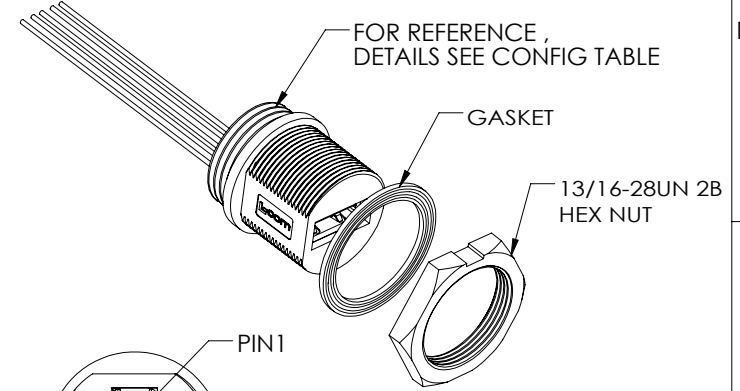
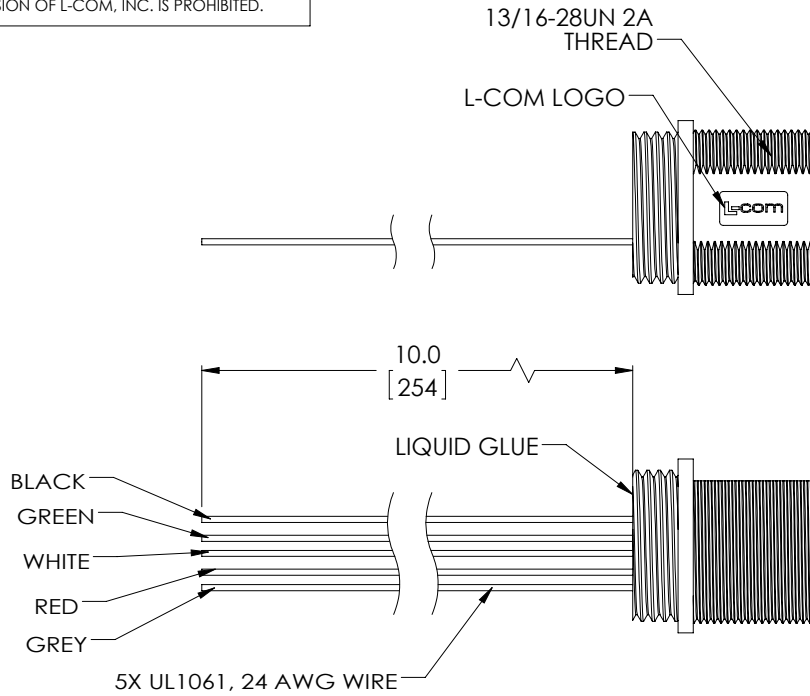
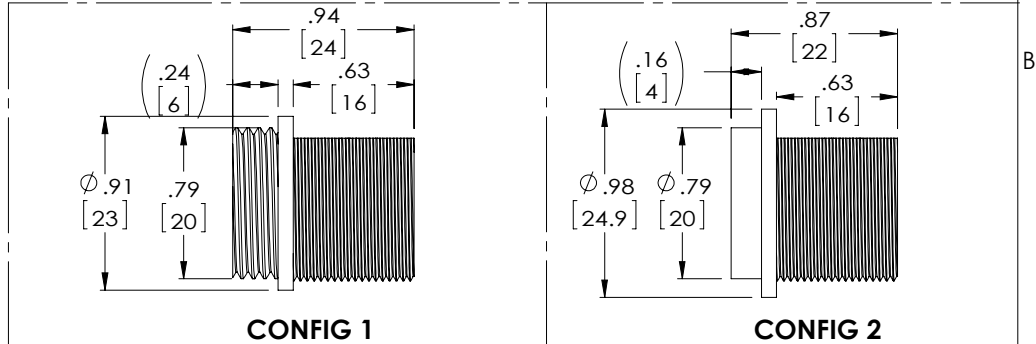


THE INFORMATION CONTAINED IN THIS DRAWING IS THE SOLE PROPERTY OF L-COM, INC. ANY REPRODUCTION IN PART OR WHOLE WITHOUT THE WRITTEN PERMISSION OF L-COM, INC. IS PROHIBITED.

REVISIONS			
REV	DESCRIPTION	DATE	APPROVED
L	ECN 8473:UPD DWG TO MATCH NEW DESIGN , ADD NOTES 3 INFO	09/02/16	D.CUI
M	ECN 8516:ADDED NOTES 2 & 3 & 4 AND CONFIG TABLE	10/20/16	D.CUI



WIRING TABLE	
PIN#	COLOR
1	BLACK
2	GREEN
3	WHITE
4	RED
SHELL	GREY



- NOTES:
- 1.CABLE ASSEMBLY SHALL BE TESTED FOR CONTINUITY
 - 2.L-COM LOGO STYLE MAY VARY PER L-COM SPECIFICATION
 - 3.CABLE MAY SUPPLIED WITH EITHER CONFIG 1 OR CONFIG 2 ON "J1" END
 - 4.INGRESS PROTECTION RATING IS IP67 (J1 ONLY ,MATED)
 - 5.CABLE ASSEMBLY SHALL BE INDIVIDUALLY PACKAGED IN ACCORDANCE WITH L-COM SPECIFICATION PS-0031

REGULATORY COMPLIANCE:
CE2011/65/EU(RoHS DIRECTIVE)

UNLESS OTHERWISE SPECIFIED, DIMENSIONS ARE IN INCHES [mm] OVERALL CABLE LENGTH TOLERANCE: ≤12 [305] = +1 [25] / -0 >12 [305] ≤60 [1524] = +2 [51] / -0 >60 [1524] ≤120 [3048] = +4 [102] / -0 >120 [3048] ≤300 [7620] = +6 [152] / -0 >300 [7620] = +3% / -0%	APPROVALS	DATE		50 HIGH STREET NORTH ANDOVER, MA 01845
	DRAWN BY C.MCCORMICK	07/29/2003		
ALL OTHER DIMENSIONAL TOLERANCES: .X = ± .2 [5.08] .XX = ± .02 [1.51] .XXX = ± .005 [1.3]	CHECKED BY D.PARHAM	08/01/2003	PRODUCT DESCRIPTION USB WATERPROOF SERIES "A" BULKHEAD TO BLUNT END	
PROJECTION	APPROVED BY R.CARRICK	08/01/2003	SIZE A	FSCM NO. 43321
	COLOR VARIATIONS MAY OCCUR	REF	DWG. NO. WPUSBAF	REV. M
			SCALE: NONE	CAD FILE: WPUSBAF.SLDDRW
				SHEET 1 OF 1