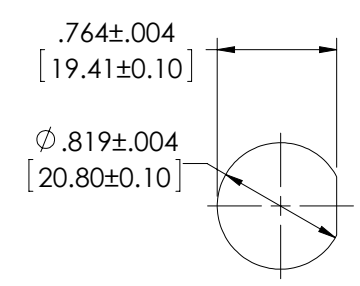
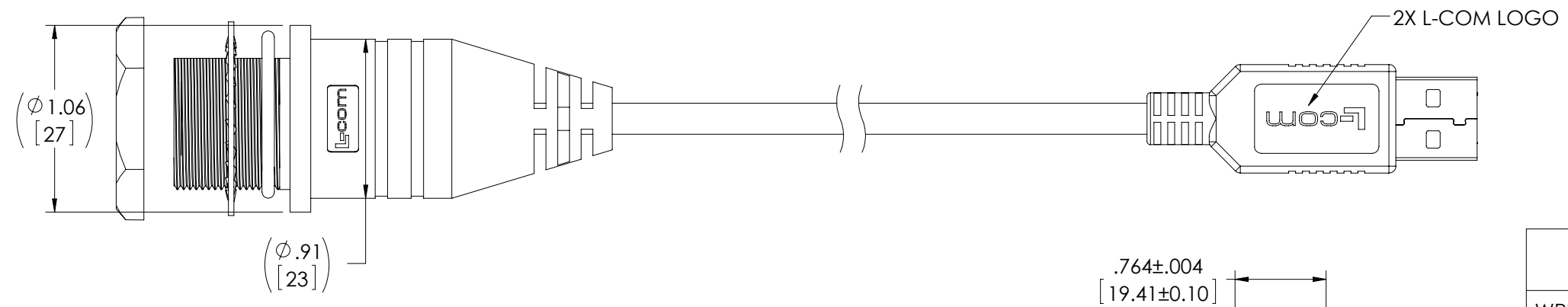
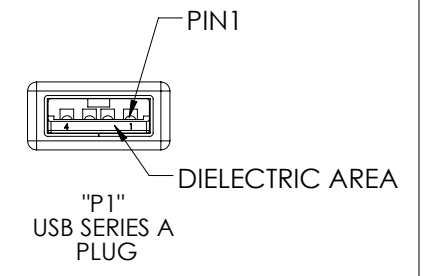
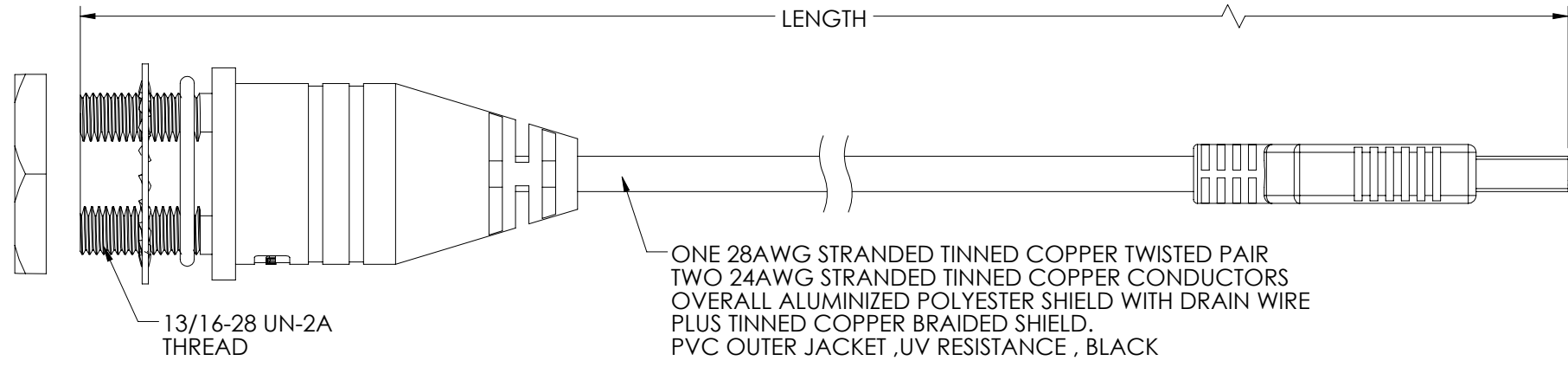
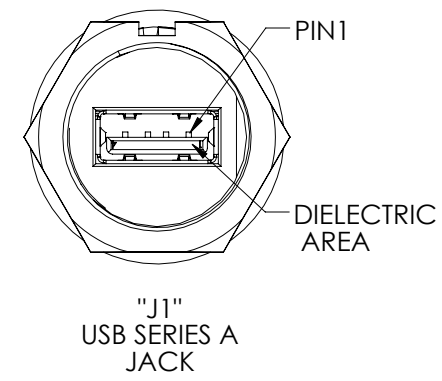
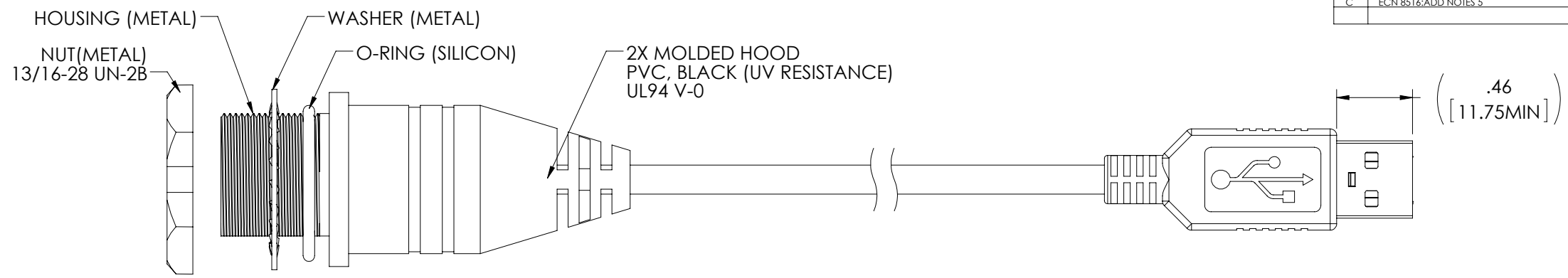


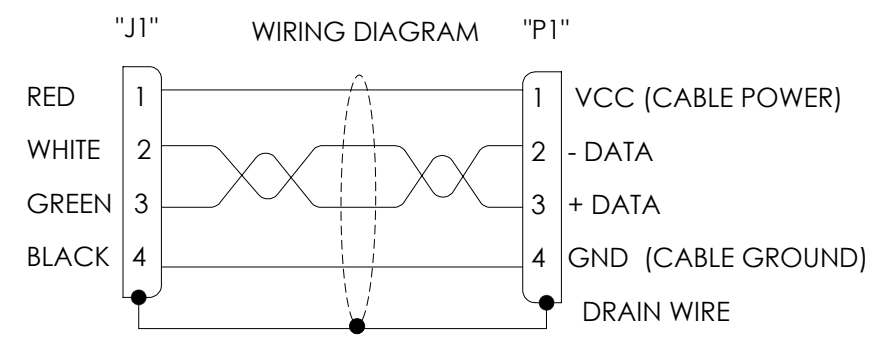
THE INFORMATION CONTAINED IN THIS DRAWING IS THE SOLE PROPERTY OF L-COM, INC. ANY REPRODUCTIONS IN PART OR WHOLE WITHOUT THE WRITTEN PERMISSION OF L-COM, INC. IS PROHIBITED.

REVISIONS			
REV	DESCRIPTION	DATE	CHANGED BY
A	INITIAL RELEASE	3/11/10	D.GRIFFIN
B	ECN 8473-UPD DWG TO MATCH NEW DESIGN, ADD MATERIAL&NOTE 6 INFO	09/02/16	D.CUI
C	ECN 8516;ADD NOTES 5	10/20/16	D.CUI



PART NUMBER	LENGTH	
	METERS	FEET
WPUSBAXSH-05M	0.5	1.64
WPUSBAXSH-1M	1.0	3.28
WPUSBAXSH-2M	2.0	6.56
WPUSBAXSH-3M	3.0	9.84
WPUSBAXSH-5M	5.0	16.40

- NOTES:
1. THESE CABLE ASSEMBLIES ARE CONSTRUCTED TO MEET THE REQUIREMENTS OF THE UNIVERSAL SERIES BUS SPECIFICATION USB 2.0
 2. CONNECTOR CONTACTS HAVE 30 MICROINCHES GOLD PLATING OVER NICKEL PLATING.
 3. INGRESS PROTECTION RATING IS IP67 (J1 ONLY ,MATED)
 4. CABLE ASSEMBLY SHALL BE TESTED FOR CONTINUITY.
 5. L-COM LOGO STYLE AND MOLDED HOOD APPEARANCE MAY VARY PER L-COM SPECIFICATION
 6. CABLE ASSEMBLY SHALL BE INDIVIDUALLY PACKAGED IN ACCORDANCE WITH L-COM PACKAGING SPEC. PS-0031.



RECOMMENDED PANEL OPENING

UNLESS OTHERWISE SPECIFIED, DIMENSIONS ARE IN INCHES [mm]
 OVERALL CABLE LENGTH TOLERANCE:
 ≤12 [305] = +1 [25] / -0
 >12 [305] ≤60 [1524] = +2[51] / -0
 >60 [1524] ≤120 [3048] = +4 [102] / -0
 >120 [3048] ≤300 [7620] = +6 [152] / -0
 >300 [7620] = +5% / -0%

ALL OTHER DIMENSIONAL TOLERANCES:
 .X = ±.2 [5.08]
 .XX = ±.02 [5.1]
 .XXX = ±.005 [1.3]

PROJECTION

APPROVALS	DATE
D. CASTRO	2/1/10
D. PARHAM	2/1/10
S. SMITH	2/1/10

CONFIGURATION DETAILS OF UNDIMENSIONED FEATURES MAY VARY

COLOR VARIATIONS MAY OCCUR

L-com Global Connectivity
 50 HIGH STREET
 NORTH ANDOVER, MA 01845

CATEGORY: USB

PRODUCT DESCRIPTION: CA IP67 USBA-F/A-M SHLD

SIZE	FSCM NO.	DWG. NO.	REV.
B	43321	WPUSBAXSH	C

SCALE: 1:1 CAD FILE: WPUSBAXSH.SLDDRW SHEET 1 OF 1

REGULATORY COMPLIANCE:
 CE2011/65/EU(RoHS DIRECTIVE)