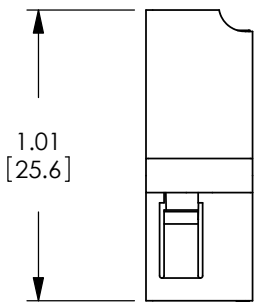
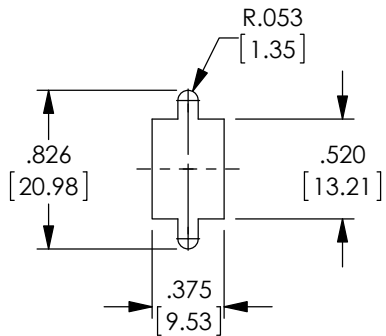
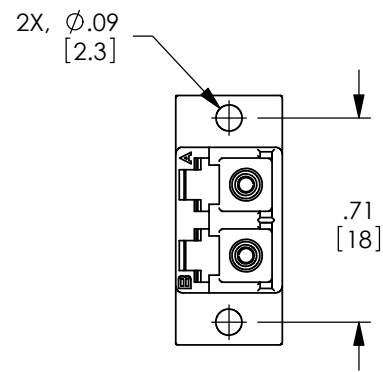
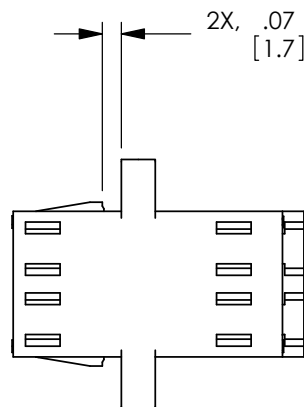
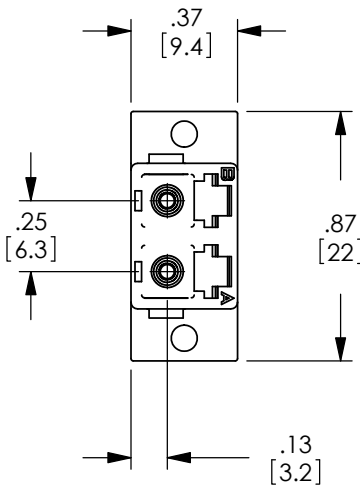
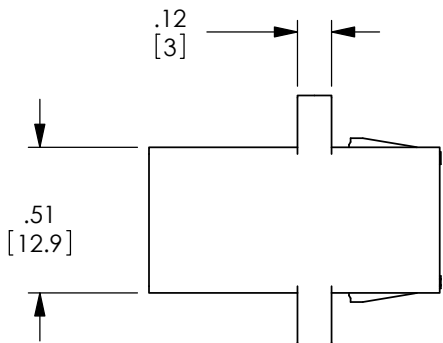


THE INFORMATION CONTAINED IN THIS DRAWING IS THE SOLE PROPERTY OF L-COM, INC. ANY REPRODUCTION IN PART OR WHOLE WITHOUT THE WRITTEN PERMISSION OF L-COM, INC. IS PROHIBITED.

REVISIONS			
REV	DESCRIPTION	DATE	APPROVED
A	INITIAL RELEASE	7/30/07	D.FRISIELLO
B	ECN 5567: NEW FORMAT, ADDED ROHS STAMP & PACKAGING NOTE	6/27/11	D.FRISIELLO
C	ECN 7718: ADDED PANEL CUTOUT, REVISED FORMAT, ROHS	12/22/14	D.FRISIELLO



RECOMMENDED PANEL CUTOUT



NOTES:

MATERIALS:
 HOUSING MATERIAL: PVC, UL94V-0.
 HOUSING COLOR: BLACK.
 SLEEVE: CERAMIC.

MISCELLANEOUS:
 SHIPPED WITH DUST CAPS INSTALLED (NOT SHOWN).

COMPONENT SHALL BE INDIVIDUALLY PACKAGED IN ACCORDANCE WITH L-COM SPECIFICATION PS-0031.

REGULATORY COMPLIANCE:
 CE2011/65/EU (RoHS DIRECTIVE)



UNLESS OTHERWISE SPECIFIED, DIMENSIONS ARE IN INCHES [mm] OVERALL CABLE LENGTH TOLERANCE: ≤12 [305] = +1 [25] / -0 >12 [305] ≤60 [1524] = +2 [51] / -0 >60 [1524] ≤120 [3048] = +4 [102] / -0 >120 [3048] ≤300 [7620] = +6 [152] / -0 >300 [7620] = +5% / -0% ALL OTHER DIMENSIONAL TOLERANCES: .X = ±.2 [5.08] .XX = ±.02 [51] .XXX = ±.005 [1.27]	APPROVALS	DATE	45 BEECHWOOD DRIVE NORTH ANDOVER, MA 01845
	DRAWN BY D.FRISIELLO	7/30/07	
PROJECTION 	CHECKED BY P.McNEIL	7/30/07	PRODUCT DESCRIPTION LC ADAPTER DPX SM W/FLANGE
	APPROVED BY P.McNEIL	7/30/07	
CONFIGURATION DETAILS OF UNDIMENSIONED FEATURES MAY VARY COLOR VARIATIONS MAY OCCUR			