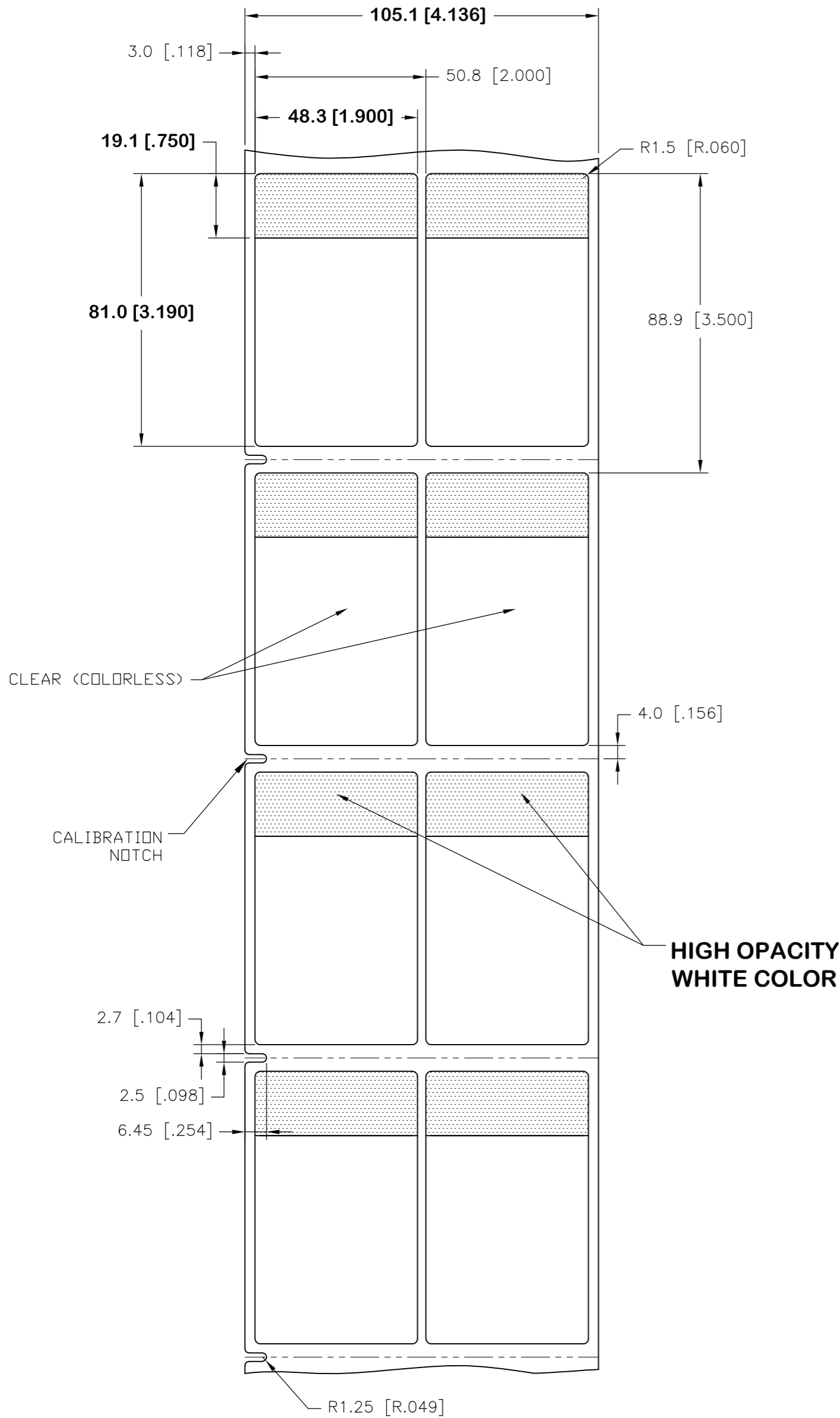


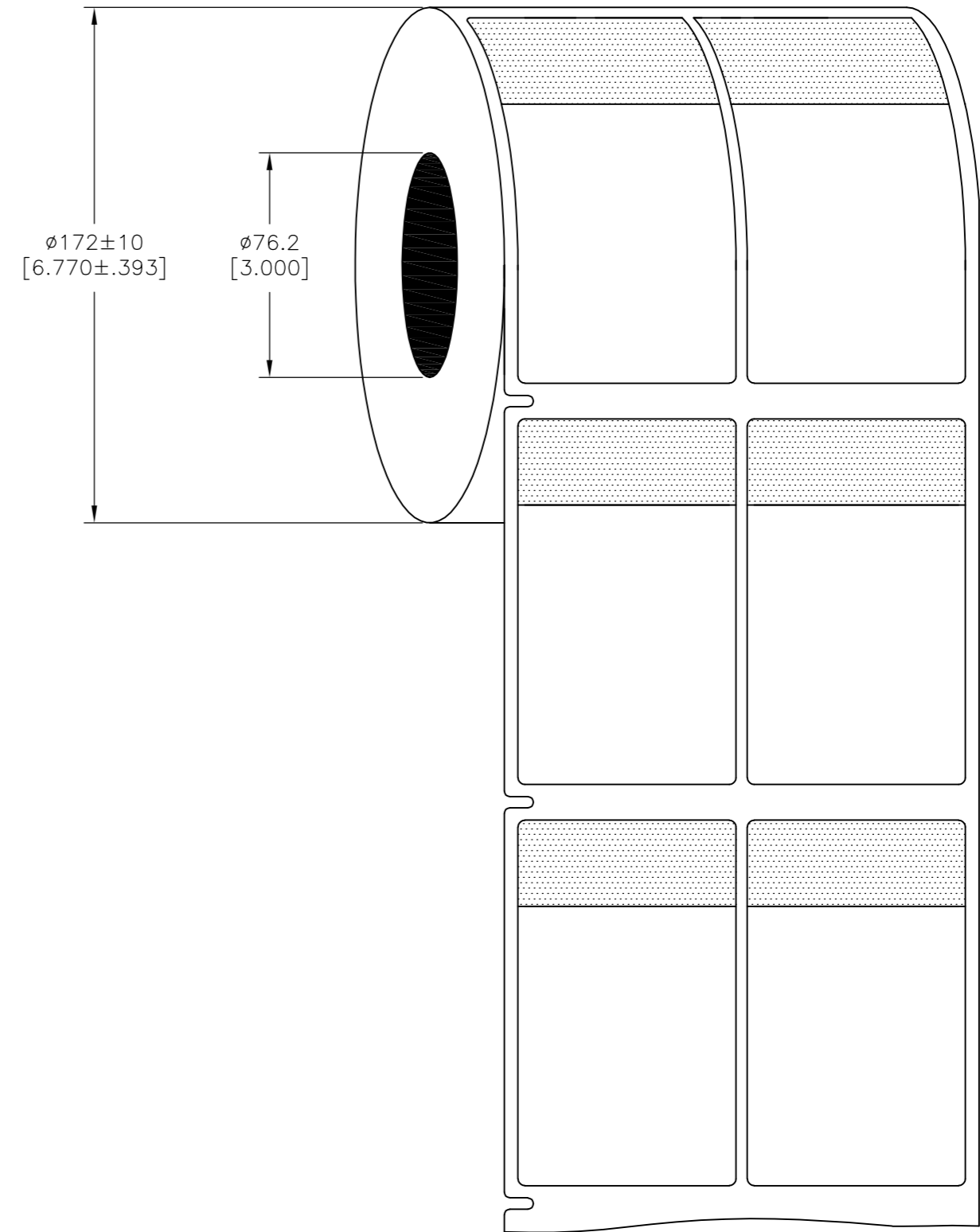
THIS DRAWING IS UNPUBLISHED. RELEASED FOR PUBLICATION MAR , 2017.
 © COPYRIGHT 2017 By TE Connectivity ALL RIGHTS RESERVED.

REVISIONS					
P	LTR	DESCRIPTION	DATE	DWN	APVD
A		NEW DRAWING	20MAR2017	GK	DB

LABEL AND LINER DESIGN



PRESENTATION



OUTSIDE WOUND LABEL ACROSS: 2 PER ROLL QTY: 2500

All dimensions in mm [Inch]

UL RECOGNIZED BY UNDERWRITERS LABORATORIES INC. IN UL FILE MH61871-PGIS2 CATEGORY-SBP LABEL, PRINTER AND RIBBON

TE PN: CN9930-000

MATERIAL		CLEAR VINYL			
ADHESIVE TYPE		ACRYLIC PERMANENT			
LINEAR		WHITE GLASSINE			
DWN		GOPALAKRISHNA HV		TE Connectivity	
CHK		D.BURGAT		TE Connectivity	
APVD		D.BURGAT		SBP LABEL - WHITE	
PRODUCT SPEC		TTDS-211		48.3 x 81.0mm [1.90 x 3.19inch]	
APPLICATION SPEC		REV. 8 OR GREATER		-	
SIZE	CAGE CODE	DRAWING NO	RESTRICTED TO		
A2	00779	C=SBP190319WE2.5	-		
WEIGHT		0.544g		SCALE	
CUSTOMER DRAWING		NTS		SHEET 1 OF 1	

TOLERANCES mm [INCH]		THIS DRAWING IS A CONTROLLED DOCUMENT.	
LABEL HEIGHT:	± 0.3 [.012]	DIMENSIONS: mm [INCHES]	
LABEL WIDTH:	± 0.3 [.012]	TOLERANCES UNLESS OTHERWISE SPECIFIED	
WEB WIDTH:	± 0.8 [.031]	0 PLC \pm	
VERTICAL REPEAT:	± 0.8 [.031]*	1 PLC \pm	
HORIZONTAL REPEAT:	± 0.8 [.031]*	2 PLC \pm	
PRINT POSITIONING:	± 0.8 [.031]*	3 PLC \pm	
LEFT MARGIN:	± 0.4 [.016]	4 PLC \pm	
QUANTITY:	-0 % +2 %	ANGLES \pm	
*NON ACCUMULATING		FINISH	
SEE TABLE		GLOSSY	