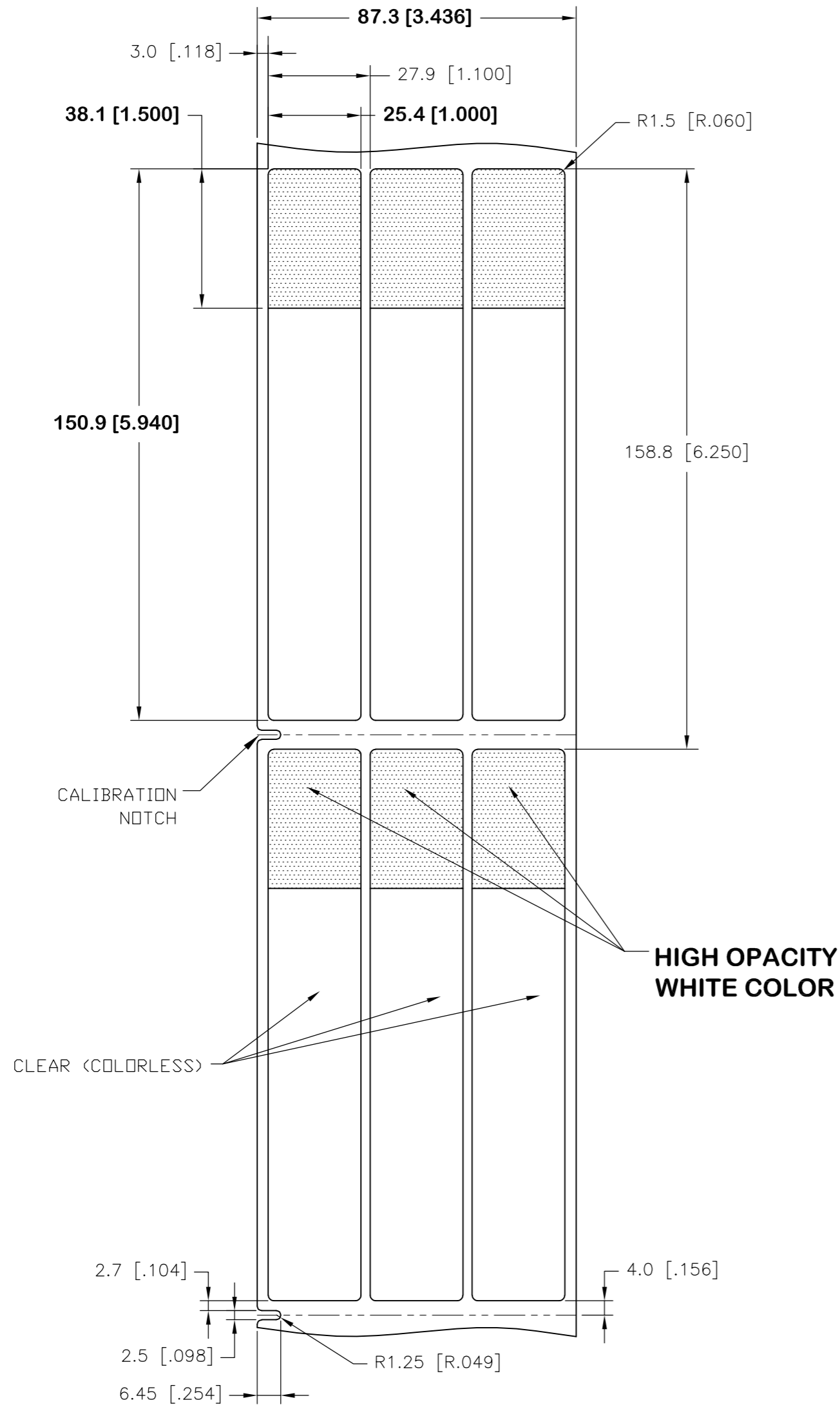
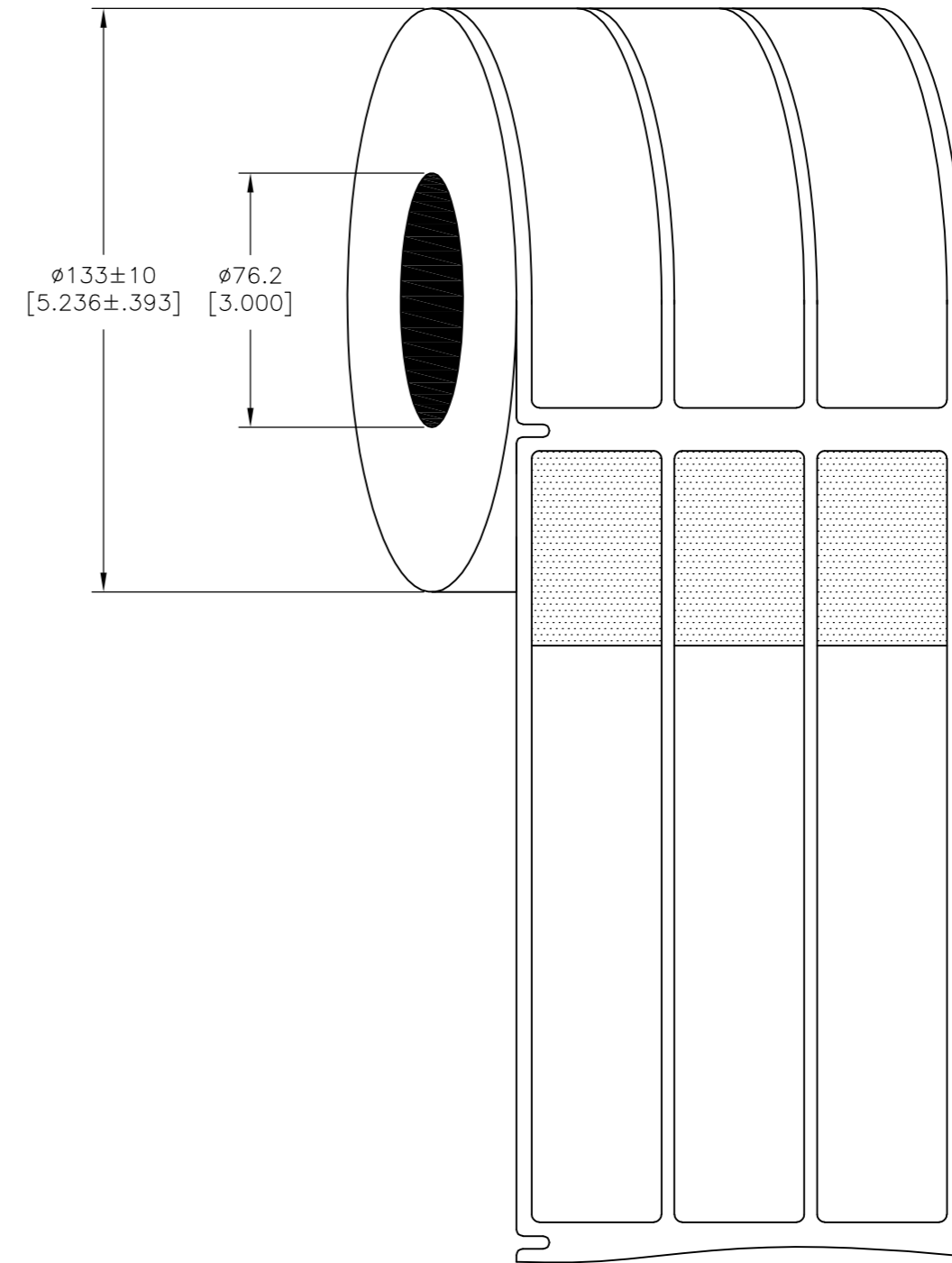


REVISIONS					
P	LTR	DESCRIPTION	DATE	DWN	APVD
A		NEW DRAWING	20MAR2017	GK	DB

### LABEL AND LINER DESIGN



### PRESENTATION



**OUTSIDE WOUND LABEL ACROSS: 3 PER ROLL QTY: 1000**

All dimensions in mm [Inch]

UL RECOGNIZED BY UNDERWRITERS LABORATORIES INC. IN UL FILE MH61871-PGIS2 CATEGORY-SBP LABEL, PRINTER AND RIBBON

**TE PN: CN9928-000**

TOLERANCES mm [INCH]	
LABEL HEIGHT:	±0.3 [.012]
LABEL WIDTH:	±0.3 [.012]
WEB WIDTH:	±0.8 [.031]
VERTICAL REPEAT:	±0.8 [.031]*
HORIZONTAL REPEAT:	±0.8 [.031]*
PRINT POSITIONING:	±0.8 [.031]*
LEFT MARGIN:	±0.4 [.016]
QUANTITY:	-0 % +2 %
*NON ACCUMULATING	

THIS DRAWING IS A CONTROLLED DOCUMENT.	
DIMENSIONS: mm [INCHES]	TOLERANCES UNLESS OTHERWISE SPECIFIED
	0 PLC ±
	1 PLC ±
	2 PLC ±
	3 PLC ±
4 PLC ±	
ANGLES ±	
FINISH	GLOSSY
MATERIAL	SEE TABLE

MATERIAL	CLEAR VINYL
ADHESIVE TYPE	ACRYLIC PERMANENT
LINEAR	WHITE GLASSINE
DWN	20MAR2017
CHK	GOPALAKRISHNA HV
APVD	20MAR2017
NAME	D.BURGAT
PRODUCT SPEC	TTDS-211
APPLICATION SPEC	REV. 8 OR GREATER
SIZE	A2
CAGE CODE	00779
DRAWING NO	C=SBP100594WE1
RESTRICTED TO	-
WEIGHT	0.533g
CUSTOMER DRAWING	SCALE NTS
SHEET	1 OF 1
REV	A