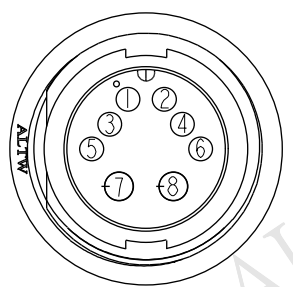
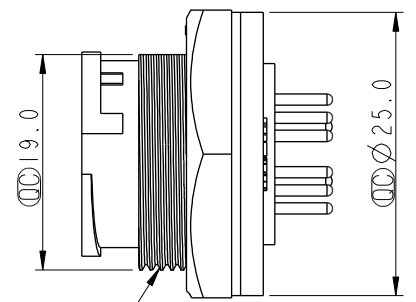


THIS DOCUMENT IS SUBJECT TO CHANGE WITHOUT NOTICE. IT IS CONFIDENTIAL AND A PROPERTY OF Amphenol LTW. DISCLOSURE TO THIRD PARTY HAS TO BE AUTHORIZED BY Amphenol LTW.

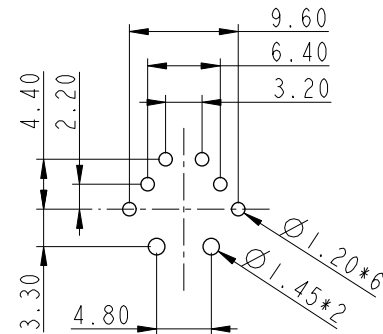
REV.	ECN NO.	DATE	SIGN	DESCRIPTION
B	LEN-8B0050	2008/09/25	Shin	Add Note
C	LEN1630525	2016/03/17	Ruru	Change Logo



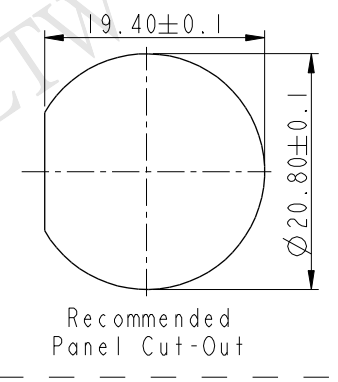
Pin Assignments  
Front View



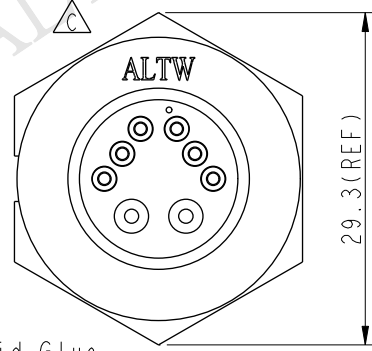
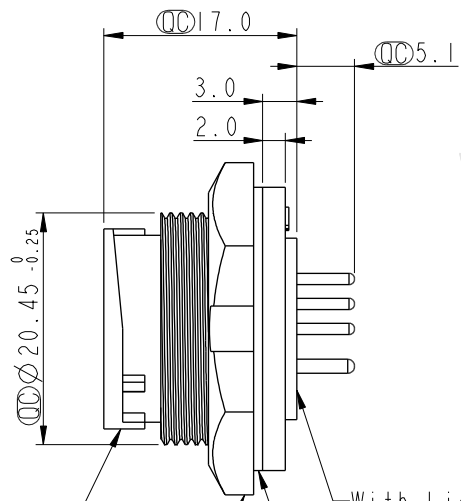
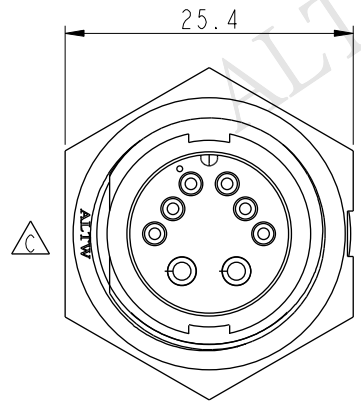
13/16"-28UN



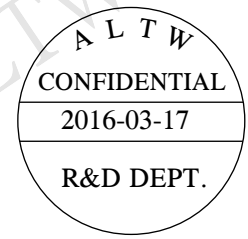
8Pin Male Connector  
Female Pin PCB Layout  
8 Pin 公接頭  
PCB 挖孔位置尺寸圖



Recommended  
Panel Cut-Out



Connector 1  
Nut 2  
Gasket 3  
With Liquid Glue



Note:

- \*  $\varnothing$  Important Dimension.
- \* Waterproof Rate: IP67
- \* Housing: Nylon+GF, Black.
- \* Male Pin: Copper Alloy, Gold Plated(10A)
- \* Male Pin: Copper Alloy, Gold Plated(5A)
- \* Gasket:Black,EPDM
- \* Nut:Black,Nylon+GF
- \* Liquid Glue:Clear
- $\triangle$ \* Use with waterproof cap or dust cap  
Panel Thickness Max: 3.0mm
- $\triangle$ \* Use without waterproof cap or dust cap  
Panel Thickness Max: 4.0mm

UNIT: mm		
TOLERANCE	.X ±0.25	
	.XX ±0.1	
	.XXX ±0.05	
ANGLES	±1°	

TITLE MIDDLE PANEL LOCK 8PIN M CONN M PIN			
SCALE 1:1	SIZE A4	SHEET 1 OF 1	
REV. C	WC-REV. A.2	$\varnothing$ : Inspection item	

**Amphenol LTW**  
安費諾亮泰企業股份有限公司

ITEM NO. CBD-08PMMP-LC7001	DRAWN BY Ruru	DATE 2016-03-17
DWG NO. CBD-08PMMP-LC7001	CHECKED BY Rita	DATE 2016-03-17
CUSTOMER ALTW	APPROVED BY Lisa	DATE 2016-03-17

A

D

C

B

F

E

1

2

3

4

5

6

7

8