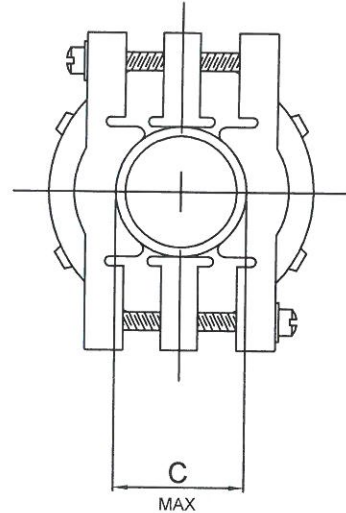
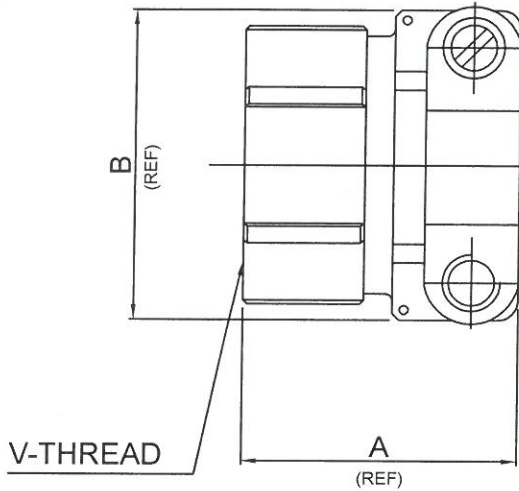


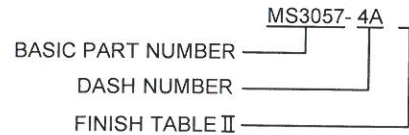
**WARNING**  
 All Drawings and Specifications are and remain our Property and must be returned to us. All Specifications and Drawings are confidential and are not to be disclosed to any persons other than those to whom they are sent. Unauthorised reproduction in any form of this Drawing in part or full is prohibited.

**PROVISIONAL**

Issue No.	Eng. Ref. No.	REVISIONS	Date	App. By
01	--	ORIGINAL	04.03.14	DPP
02	2477	PART NO. MS3057-3A & -28A ADDED	28.03.14	SPK
03	2529	AS PER ECN - 2529	08.07.14	SPK
04	2544	AS PER ECN - 2544	01.08.14	SPK
05	2549	REMARKS ADDED	12.08.14	<i>[Signature]</i>



**PART NUMBER DEVELOPMENT**



**TABLE-I**

PART NO.	SHELL SIZE	'A' ±0.2	'B' ±0.2	'C'	'V'-THD
MS3057-3A	8	20.80	20.60	6.35	1/2-28
MS3057-4A	10	20.30	23.30	7.93	5/8-24
MS3057-6A	14	22.50	27.00	11.12	3/4-20
MS3057-8A	16	24.40	28.90	14.27	7/8-20
MS3057-10A	18	23.70	32.20	15.87	1-20
MS3057-12A	20,22	23.60	37.80	19.05	1 3/16-18
MS3057-16A	24,28	26.00	43.40	23.82	1 7/16-18
MS3057-20A	32	27.70	52.10	31.75	1 3/4-18
MS3057-24A	36	29.20	57.30	34.92	2-18
MS3057-28A	40	42.70	68.30	41.27	2 1/4-16

**TABLE-II**

FINISH CODE	FINISH (BODY & CLAMP)	FINISH (SCREW & WASHER)	REMARK
—	CD OLIVE DRAB	CD OLIVE DRAB	—
622	ZN CO GREEN	ZN CO GREEN	ROHS COMPLAINT
624	ZN CO BLACK	ZN CO BLACK	ROHS COMPLAINT
A23	ELECTROLESS NICKEL	ELECTROLESS NICKEL	ROHS COMPLAINT

SL.NO.	DRG.NO.	FINISH

DO NOT SCALE THIS DRAWING

<table border="1"> <tr> <th>NAME</th> <th>DATE</th> </tr> <tr> <td>NAYEEM</td> <td>12.04.14</td> </tr> <tr> <td>Checked by <i>[Signature]</i></td> <td>12.08.14</td> </tr> <tr> <td>App. by <i>[Signature]</i></td> <td>12.08.14</td> </tr> </table>	NAME	DATE	NAYEEM	12.04.14	Checked by <i>[Signature]</i>	12.08.14	App. by <i>[Signature]</i>	12.08.14	<p><b>Amphenol</b>  <b>Amphenol Interconnect India Pvt. Ltd.</b>          BANGALORE - 560 100</p>	Mat.Spec. --- ---
NAME	DATE									
NAYEEM	12.04.14									
Checked by <i>[Signature]</i>	12.08.14									
App. by <i>[Signature]</i>	12.08.14									
TOLERANCES DECIMALS : ±0.10 ANGLES : ±1° Scale:- NTS SURFACE AREA: N.A	TITLE <p style="text-align: center;"><b>OUTLINE DRAWING</b> MS3057-XXA</p>									
Dwg. Size <b>A4</b>	Dwg.No. <b>B73206</b>	All Dimensions are in <b>MM/INCHES</b> Sheet <b>1 OF 1</b>								
QF-DEV-83 REV.NO. :03										