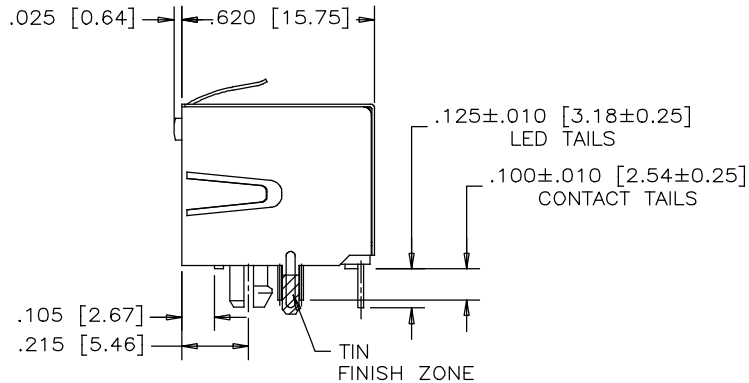
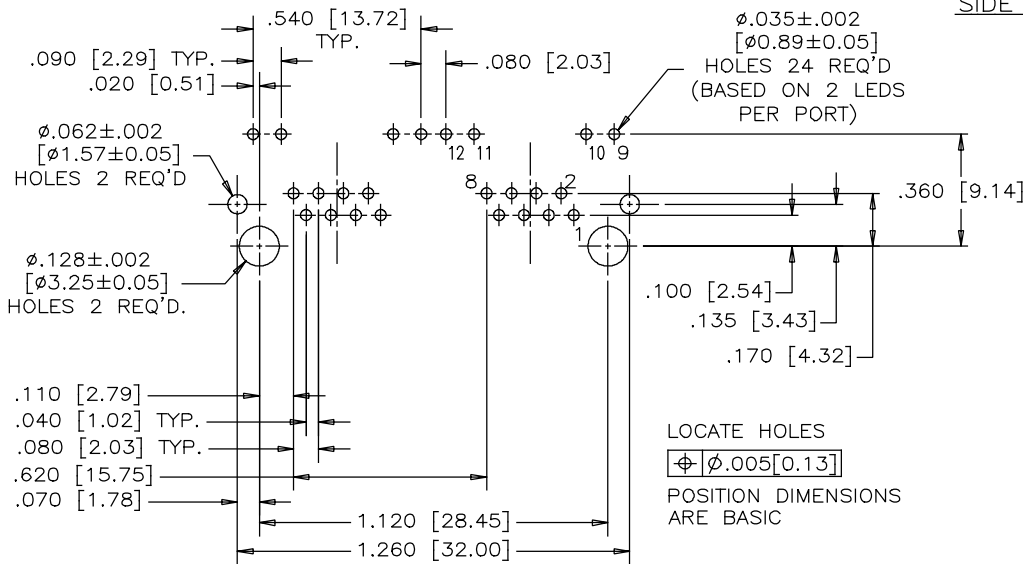
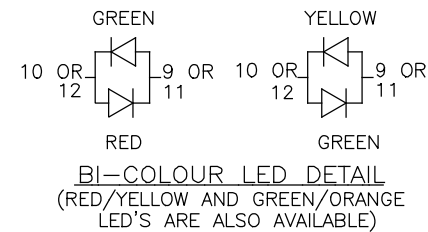


FRONT VIEW

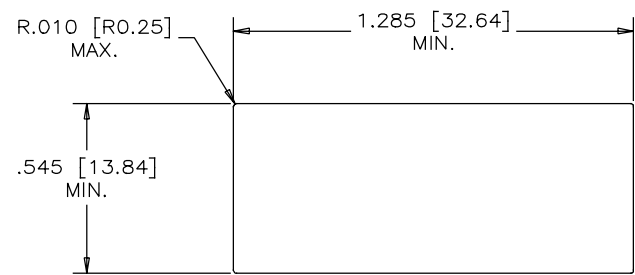


SIDE VIEW

REVISIONS			
REV	DESCRIPTION, ECN, EAR NO.	DATE	APP'D
E	PROPOSAL	JUN 19/08	L.CHAN
F	UPDATED NOTES	JAN 23/15	L.CHAN
G	CHANGE SHIELD'S MATERIAL PER ECN 180658	JUN 14/16	L.CHAN
H	CHANGE TO TIN FINISH	JUN 19/17	L.CHAN

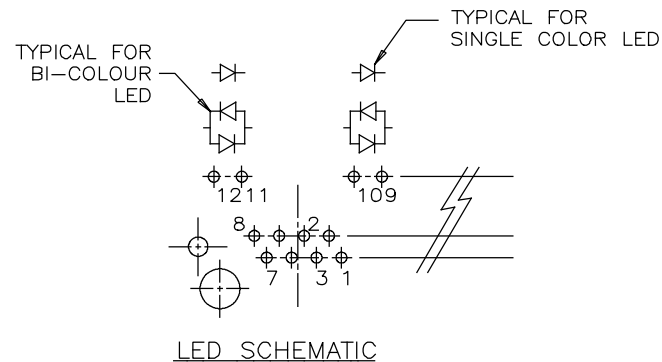


RECOMMENDED P.C.B. LAYOUT  
(COMPONENT SIDE OF BOARD  
TOLERANCES: +/- .002[0.05])



RECOMMENDED PANEL CUTOUT

LOCATE HOLES  
 $\phi \pm 0.005 [0.13]$   
 POSITION DIMENSIONS  
 ARE BASIC



**MATERIALS:**

PLASTIC HOUSING: HIGH TEMPERATURE THERMOPLASTIC  
 FLAMMABILITY RATING UL 94V-0,  
 COLOUR: BLACK

**CONTACTS:**

PHOSPHOR BRONZE  
 PLATING: 50 μ" [1.27 MICRONS] MIN.  
 GOLD ON MATING SURFACES.  
 50 μ" [1.27 MICRONS]  
 MIN. NICKEL UNDERPLATE  
 100 μ" [2.54 MICRONS]  
 MIN. MATTE TIN ON CONTACT TAILS.

**SHIELD:**

STAINLESS STEEL WITH TIN FINISH ON SOLDER TAIL.

**ENVIRONMENTAL:**

OPERATING TEMPERATURE: -55°C TO 85°C

**PART NUMBER:** RJHSE-538X-02X

REFER TO LED OPTIONS DRAWING  
 FOR ORDERING CODES

UNLESS SPECIFIED OTHERWISE		DRAWN <i>FRANK.WANG</i>	DATE <i>SEP24/14</i>	<b>Amphenol Canada Corp.</b>	
PRIMARY UNITS INCH		CHECKED <i>LAWRENCE.C</i>	DATE <i>SEP24/14</i>	www.amphenolcanada.com	
SECONDARY MILLIMETER		M.E. APP'D		TITLE	
REFERENCE IN PARENTHESES		Q.A. APP'D		2 PORT HIGH SPEED MODULAR JACK, 8 POSITION, 8 CONTACTS, SHIELDED AND WITH LED OPTIONS - RoHS COMPLIANT	
GENERAL TOLERANCES		DWG APPR.		DWG. NO.	
1 DECIMAL PLACE ±0.025		ENG. REL. NO.		P-RJHSE-538X-02X	
2 DECIMAL PLACES ±0.020		REF.		REV <i>H</i>	
3 DECIMAL PLACES ±0.015		THIRD ANGLE PROJECTION	DO NOT SCALE DRAWING	CODE ID NO. 03554   DWG SIZE: C   SCALE: N/A   SHEET 1 OF 1	
ANGULAR DEGREES ±1.0°					