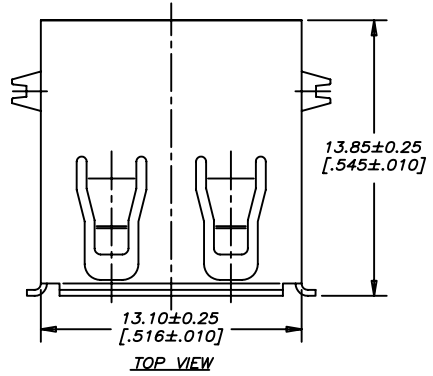


REVISIONS				
SYM	ZONE	ECN, ERN NO.	DATE	APPRD.
A		PROPOSAL	DEC05/05	LCHAN



AMPHENOL PART NUMBER: **U E 2 7 - A C X 4 - X 0 X**

SERIES
 UE27 = RECEPTACLE,
 TYPE RoHS COMPLIANT

STYLE
 A = SERIES A

C = RIGHT ANGLE PCB

MODIFIER
 0 = PBT HOUSING
 H = HIGH TEMPERATURE HOUSING

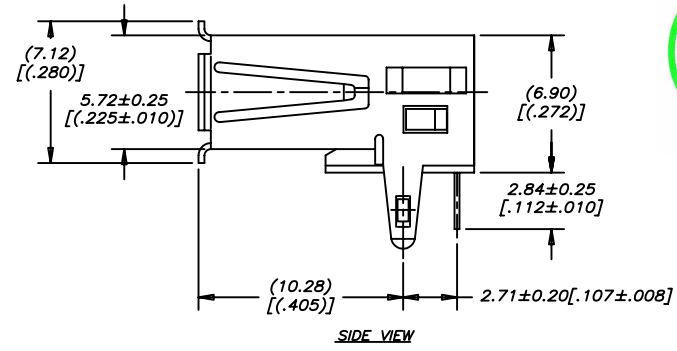
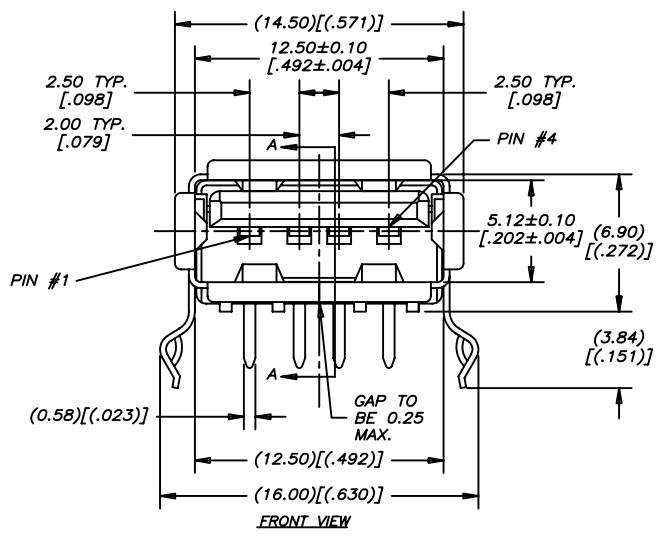
SHIELDING STYLE
 0 = NO REAR SHIELD

COLOUR
 1 = BLACK
 2 = BEIGE (AVAILABLE IS STANDARD TEMP ONLY)

NUMBER OF CONTACTS
 4 = 4 CONTACTS

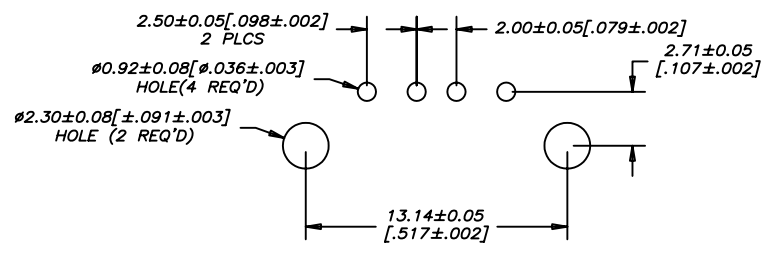
CONTACT SHIELD PLATING

5 = 0.76 MICRONS [30 MICRO"] MIN. GOLD OVER 1.27 MICRONS [50 MICRO"] MIN. NICKEL ON CONTACT MATING AREA.
 2.54 MICRONS [100 MICRO"] TIN PLATING ON CONTACT TAILS.
 7 = GOLD FLASH OVER 1.27 MICRONS [50 MICRO"] MINIMUM NICKEL ON CONTACT MATING AREA.
 2.54 MICRONS [100 MICRO"] TIN PLATING ON CONTACT TAILS.



NOTES:

- HOUSING:** ENGINEERING THERMOPLASTIC, FLAMMABILITY UL94V-0.
- CONTACTS:** COPPER ALLOY. CONTACT PLATING AS FOLLOW: SEE AMPHENOL PART NUMBER SYSTEM FOR PLATING OPTIONS.
- SHELL:** COPPER ALLOY. PLATING: NICKEL OVER COPPER UNDERPLATE.



RECOMMENDED PC BOARD LAYOUT (COMPONENT SIDE OF BOARD)

DRAWN Chigow	DATE 05/12/05	Amphenol Canada Corp.
DESIGNED		
CHECKED PAULW	DATE 05/12/05	TITLE UNIVERSAL SERIAL BUS (SERIES A) RECEPTACLE, RIGHT ANGLE PCB TAIL, 4 CONTACTS, -RoHS COMPLIANT
I. E. APPRD.		
Q. A. APPRD.		
DWG. APPRD.		
ENG. REL. NO.		DWG. DRAWING NO.
REF. EAR #12884		C
DIMENSIONS ARE IN mm	CODE ID. NO. 03554	SCALE 5/1
		WT. -----
		SURF. -----
		SHEET 1 OF 1

THIS DOCUMENT CONTAINS PROPRIETARY INFORMATION AND SUCH INFORMATION MAY NOT BE DISCLOSED TO OTHERS FOR ANY PURPOSE OR USED FOR MANUFACTURING PURPOSES WITHOUT WRITTEN PERMISSION FROM AMPHENOL CANADA CORP.