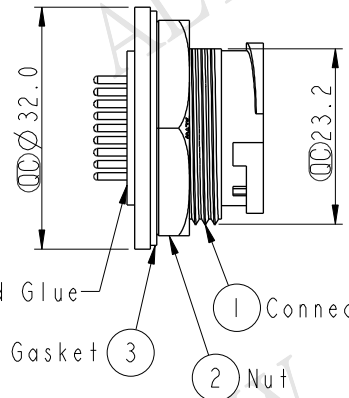
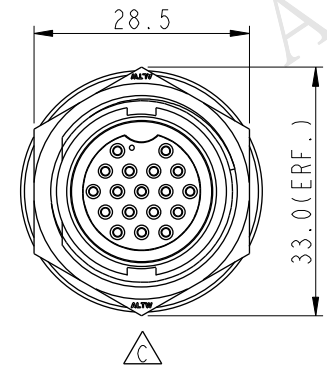
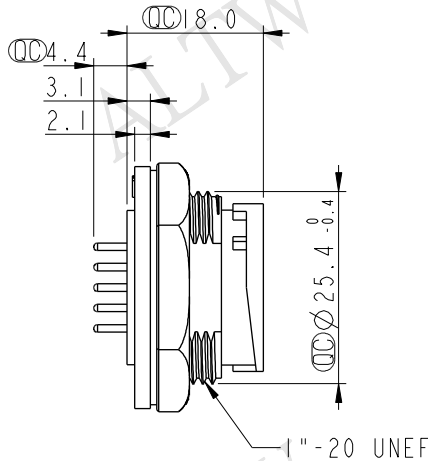
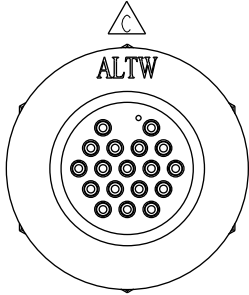
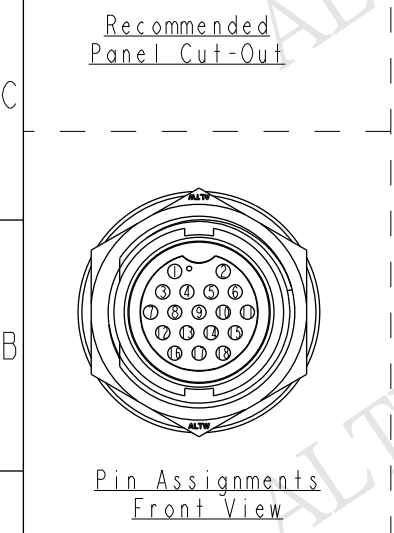
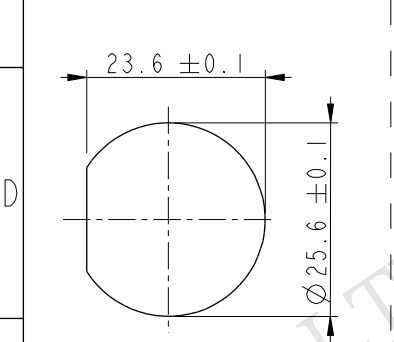
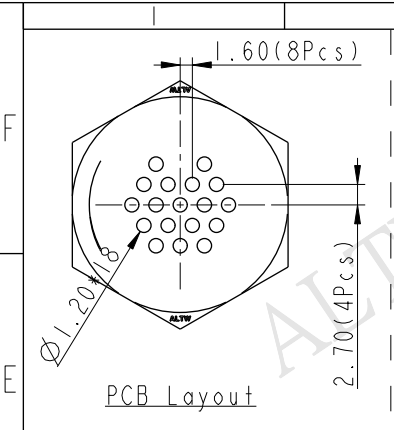


REV.	ECN NO.	DATE	SIGN	DESCRIPTION
B	LEN-8A0213	2008/09/15	Shin	Add Notes
C	LEN1660011	2016/05/27	Vicky	Update Nut View & Logo



ALTW
CONFIDENTIAL
2016-05-27
R&D DEPT.

ALTW
DCC. DEPT.
CONFIDENTIAL
2016.06.01
ISSUED

- Note:
- * \varnothing Important Dimension
 - * Waterproof Rate: IP67
 - * Housing: Nylon+GF, Black
 - * Female Pin: Copper Alloy, Gold Plated
 - * Gasket: EPDM, Black
 - * Nut: Nylon+GF, Black
 - * Use Waterproof Cap or Dust Cap
Panel Thickness Max: 3.0mm
 - * Use without Waterproof Cap or Dust Cap
Panel Thickness Max: 4.0mm

UNIT:mm		
TOLERANCE	.X ±0.25	
.XX ±0.1		
.XXX ±0.05		
ANGLES	±1°	

TITLE Lock Type Connector for Panel Mount 18Pin Male Connector Female Pin			
SCALE 1:1	SIZE A4	SHEET 1 OF 1	
REV. C	WC-REV. A.2	\varnothing : Inspection item	

Amphenol LTW
安費諾亮泰企業股份有限公司

ITEM NO DD-18PMFP-LC7001	DRAWN BY Vicky	DATE 2016-05-27
DWG NO DD-18PMFP-LC7001	CHECKED BY Rita	DATE 2016-05-27
CUSTOMER ALTW	APPROVED BY Lisa	DATE 2016-05-27

THIS DOCUMENT IS SUBJECT TO CHANGE WITHOUT NOTICE. IT IS CONFIDENTIAL AND A PROPERTY OF AMPHENOL LTW. DISCLOSURE TO THIRD PARTY HAS TO BE AUTHORIZED BY AMPHENOL LTW.