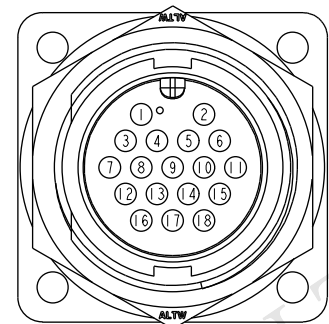
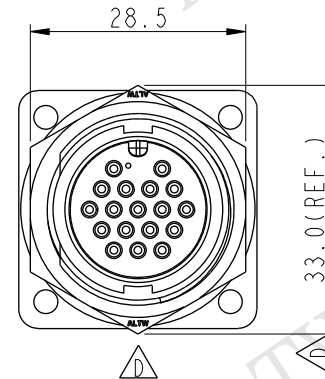
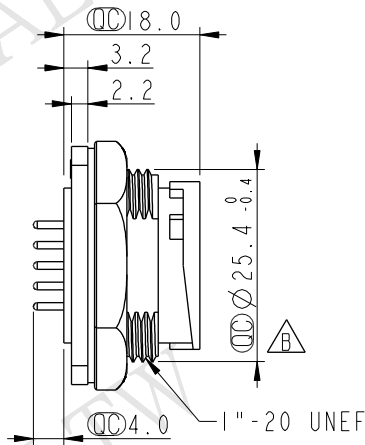
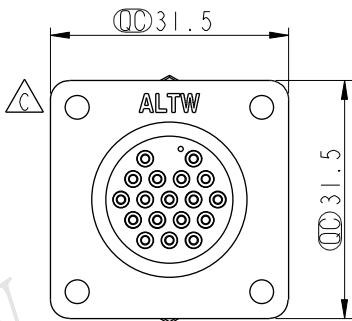
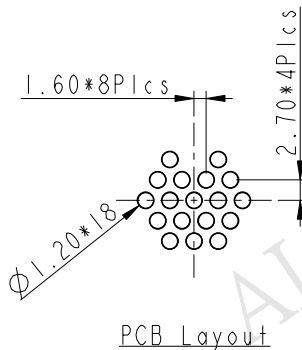
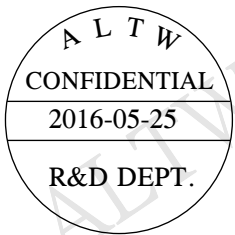
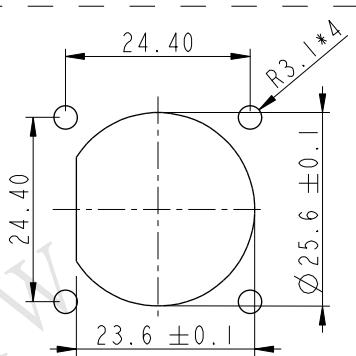


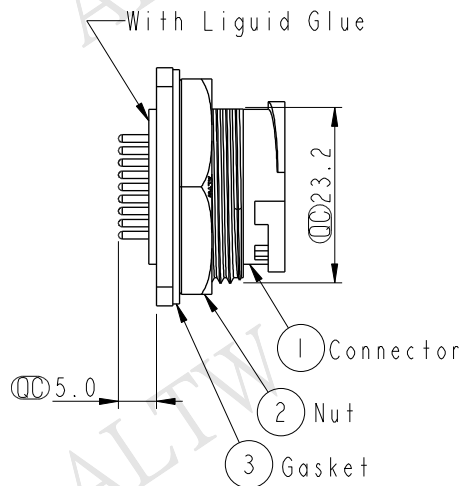
REV.	ECN NO.	DATE	SIGN	DESCRIPTION
B	LEN-8A0202	2008/09/11	Shin	Add Notes
C	LEN14C0589	2014/12/23	Sam	Update Logo
D	LEN1660020	2016/05/25	Vicky	Update Nut View & Dime



Pin Assignments Front View



Recommended Panel Cut-Out



Note:

- * \varnothing Important Dimension To Check.
- * Waterproof Rate: IP67
- * Housing: Nylon+GF, Black
- * Male Pin: Copper Alloy, Gold Plated
- * Gasket: EPDM, Black
- * Nut: Nylon+GF, Black
- $\triangle B$ * Use Waterproof Cap or Dust Cap
Panel Thickness Max: 3.0mm
- $\triangle B$ * Use without Waterproof Cap or Dust Cap
Panel Thickness Max: 4.0mm

UNIT: mm		
TOLERANCE		
.X	±0.25	
.XX	±0.1	
.XXX	±0.05	
ANGLES	±1°	

TITLE Large Panel Lock 18Pin M Conn M Pin			
SCALE 1:1	SIZE A4	SHEET 1 OF 1	
REV. D	WC-REV. A.2	\varnothing : Inspection item	

Amphenol LTW
安費諾亮泰企業股份有限公司

ITEM NO. DD-18PMMP-LS7001	DRAWN BY Vicky	DATE 2016-05-25
DWG NO. DD-18PMMP-LS7001	CHECKED BY Rita	DATE 2016-05-25
CUSTOMER ALTW	APPROVED BY Lisa	DATE 2016-05-25

THIS DOCUMENT IS SUBJECT TO CHANGE WITHOUT NOTICE. IT IS CONFIDENTIAL AND A PROPERTY OF Amphenol LTW. DISCLOSURE TO THIRD PARTY HAS TO BE AUTHORIZED BY Amphenol LTW.