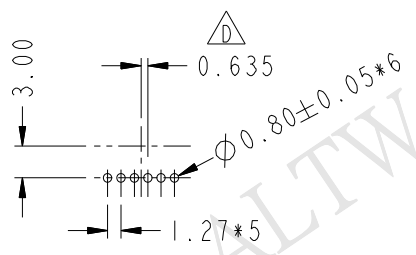
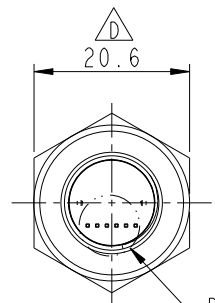


THIS DOCUMENT IS SUBJECT TO CHANGE WITHOUT NOTICE. IT IS CONFIDENTIAL AND A PROPERTY OF AMPHENOL LTW. DISCLOSURE TO THIRD PARTY HAS TO BE AUTHORIZED BY AMPHENOL LTW.

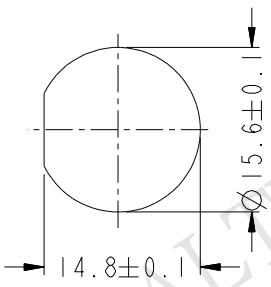
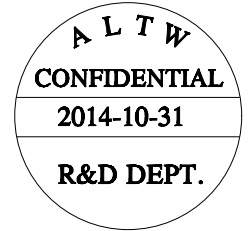
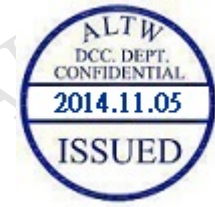
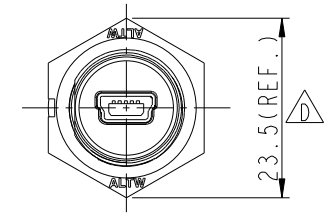
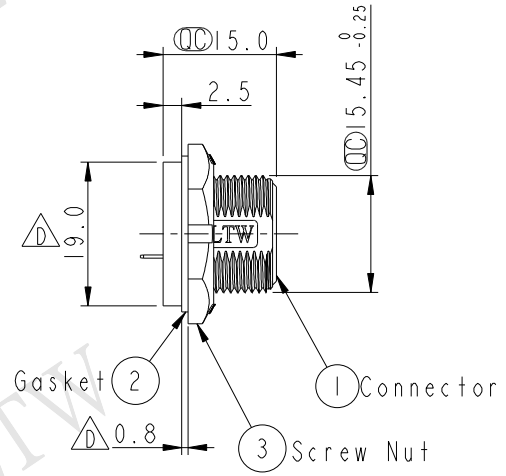
REV.	ECN NO.	DATE	SIGN	DESCRIPTION
C	LEN-7B0144	2007/11/15	Gao Ling	Modify Panel Thickness
D	LEN-8B0687	2008/11/24	TOMMY	ADD DIMENSION
E	LEN14B0005	2014/10/31	Jinhai	ADD DIMENSION



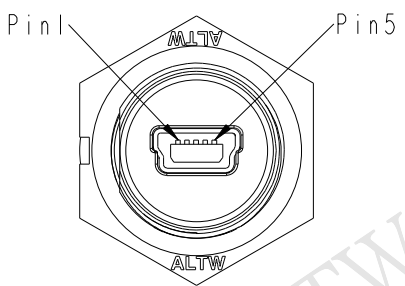
PCB Layout



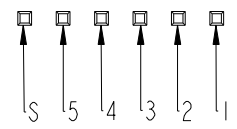
Detail "A"



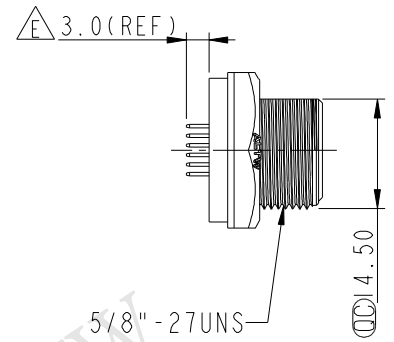
Recommended Panel Cut-Out



Pin Assignments Front View 前視圖



Detail A Scale 4:1



- Note:
- \*  $\text{⌀}$  Important Dimension.
  - \* Waterproof Rate: IP67
  - \* Housing: Nylon+GF
  - \* Screw Nut: Nylon+GF
  - \* Gasket: EPDM
  - \* Connector: Mini USB Dip Type
  - \* Wafer: 1.27mm Pitch
  - $\triangle$  \* Use with waterproof cap or dust cap For Panel Thickness Max: 1.3mm
  - $\triangle$  \* Use without waterproof cap or dust cap For Panel Thickness Max: 2.5mm

UNIT:mm		
TOLERANCE	.X ±0.25	
	.XX ±0.1	
	.XXX ±0.05	
ANGLES	±1°	

TITLE Mini USB Panel 180°			
SCALE 1:1	SIZE A4	SHEET 1	OF 1
REV. E	WC-REV. A.3	$\text{⌀}$ : Inspection item	

**Amphenol LTW**  
安費諾亮泰企業股份有限公司

ITEM NO NUB-20PMFP-SC7001	DRAWN BY Jinhai	DATE 2014-10-31
DWG NO NUB-20PMFP-SC7001	CHECKED BY Tom	DATE 2014-10-31
CUSTOMER ALTW	APPROVED BY Jerry	DATE 2014-10-31