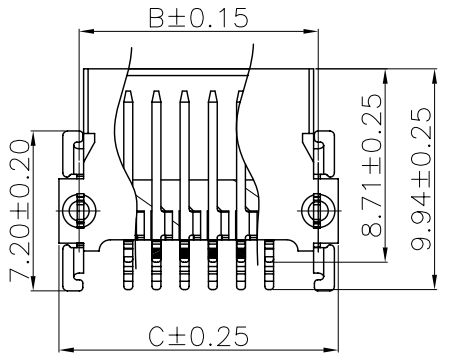
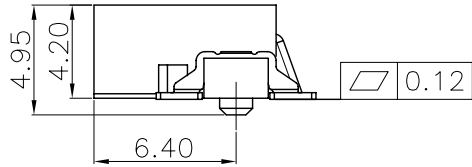
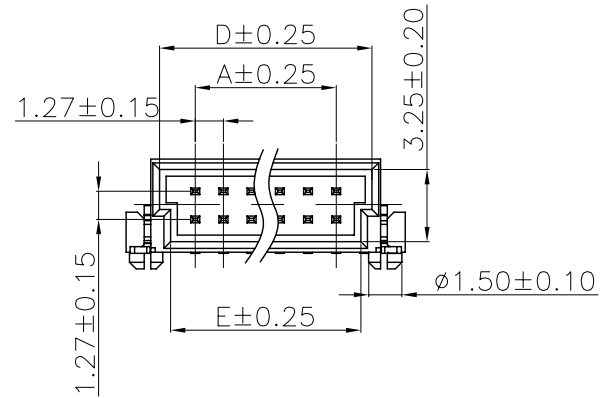
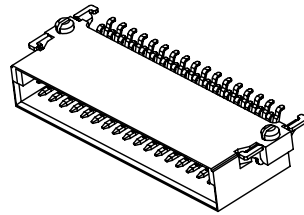
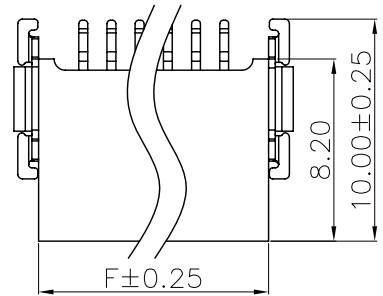


REV.	LOCAS.	DESCRIPTION	DATE	DRAWN
01	NEW	BATCH PRODUCTION INITIAL RELEASE.	2013.10.30	劉宗良
02		新增5PIN和10PIN無訂單未開治具，以舊有PIN轉量產結案	2016.07.30	黃超

Specifications  
 Current Rating:0.8Amp  
 Insulation Resistance:1000MΩ Min.  
 Dielectric Withstanding Voltage:500VAC  
 Contact Resistance:30mΩ Max.  
 Operating Temperature:-55°C to +125°C  
 Materials  
 Contact Material:Copper Alloy  
 Insulator Material:High Temperature Thermoplastic, UL 94V-0 LCP or the equivalent material  
 Colour:Black  
 All materials must meet Greenconn requirement for environment protection.

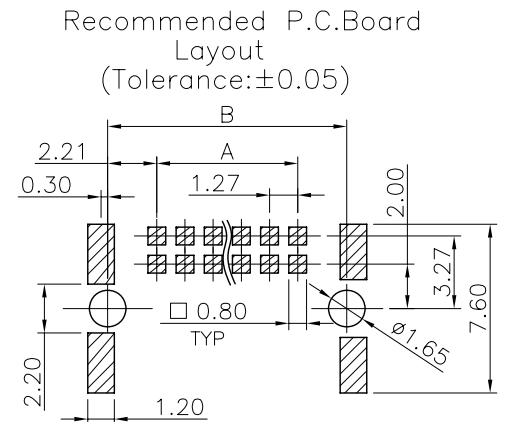
PIN NO.	A	B	C	D	E	F	備註
2*05	5.08	9.50	11.40	8.30	7.30	9.08	不可量產(有塑膠,無治具)
2*06	6.35	10.77	12.70	9.57	8.57	10.35	
2*10	11.43	15.85	17.80	14.65	13.65	15.43	不可量產(有塑膠,無治具)
2*13	15.24	19.66	21.60	18.46	17.46	19.24	
2*25	30.48	34.90	36.80	33.70	32.70	34.48	



### Ordering Information

G BED202 - XX XX B 001 C 1 A X

No. of Pins per Row: 05,06,10,13,25  
 Standard Plating: 79=5u"Au/80~160u"Matte Tin, 34=10u"Gold/Gold Flash, 05=Gold flash/Tin  
 Standard Packing: C=Tube, Selective Packing, D=Tape&Reel



格菱股份有限公司  
**Greenconn Corporation**

GENERAL TOLERANCE		DESIGNED: 黃超	DATE: 2016.07.30	DWG. NO.	TITLE.
X.*±5.0°	X.±0.30	CHECKED: 林萬輝	DATE: 2016.07.30	GBED202-CB1CA	Pitch1.27 male Connector SMC B Type 90° SMT Type
.X*±3.0°	.X±0.25	CO SIGNED: 劉北平	DATE: 2016.07.30	PART NO.	
.XX*±2.0°	.XX±0.15	APPROVED: 李輝	DATE: 2016.07.30	GBED202-XXXXB001C1AX	
.XXX*±1.0°	.XXX±0.10				

REV. 02	UNIT. mm	SCALE. 3:1	PAGE. 1/1	
---------	----------	------------	-----------	--