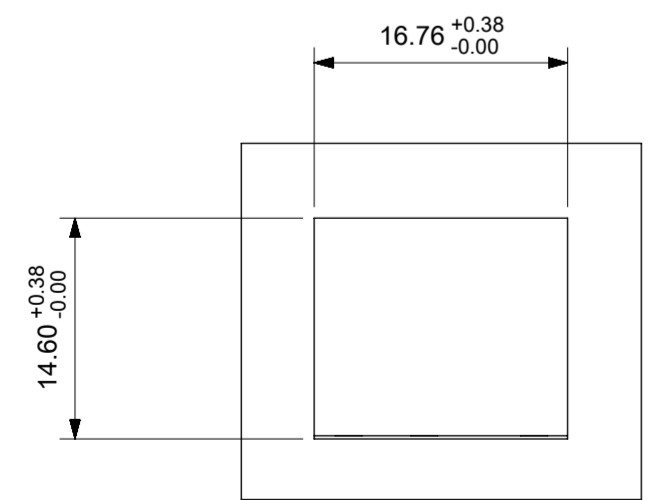
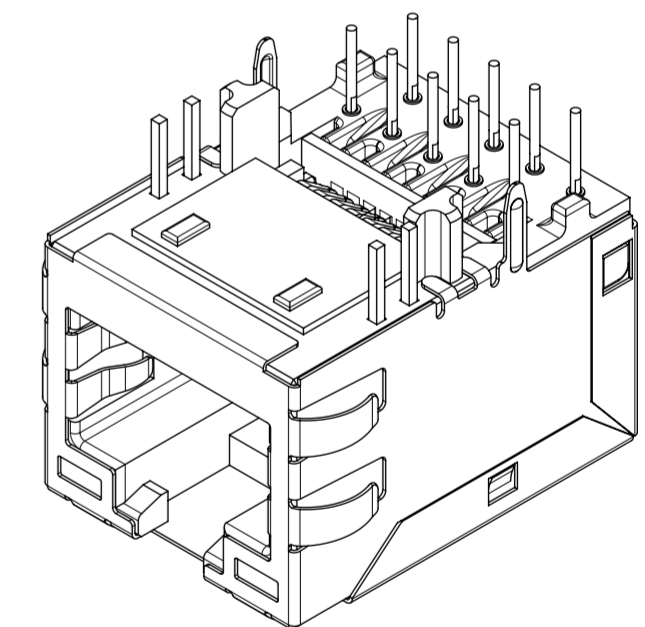
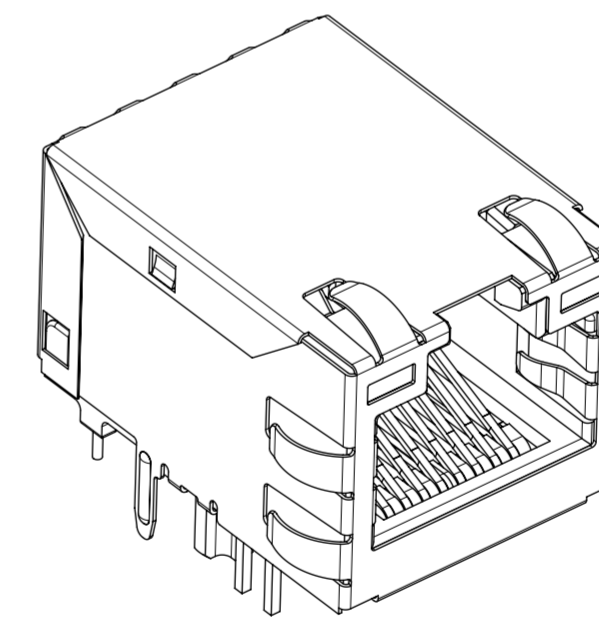
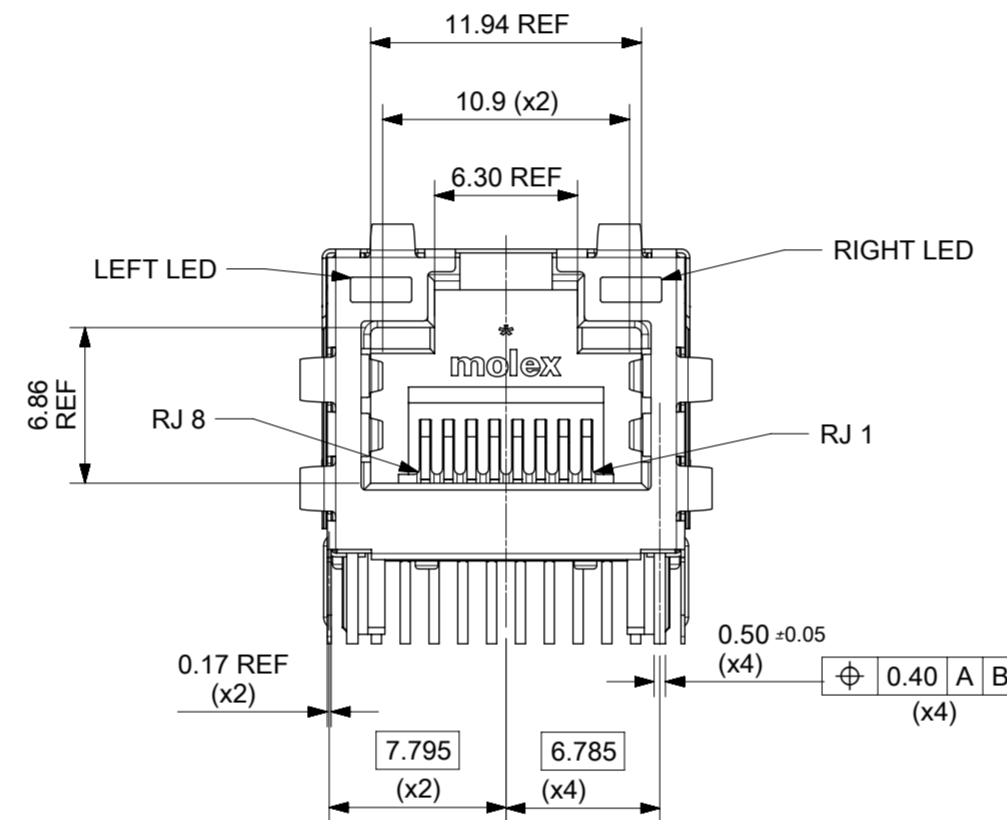
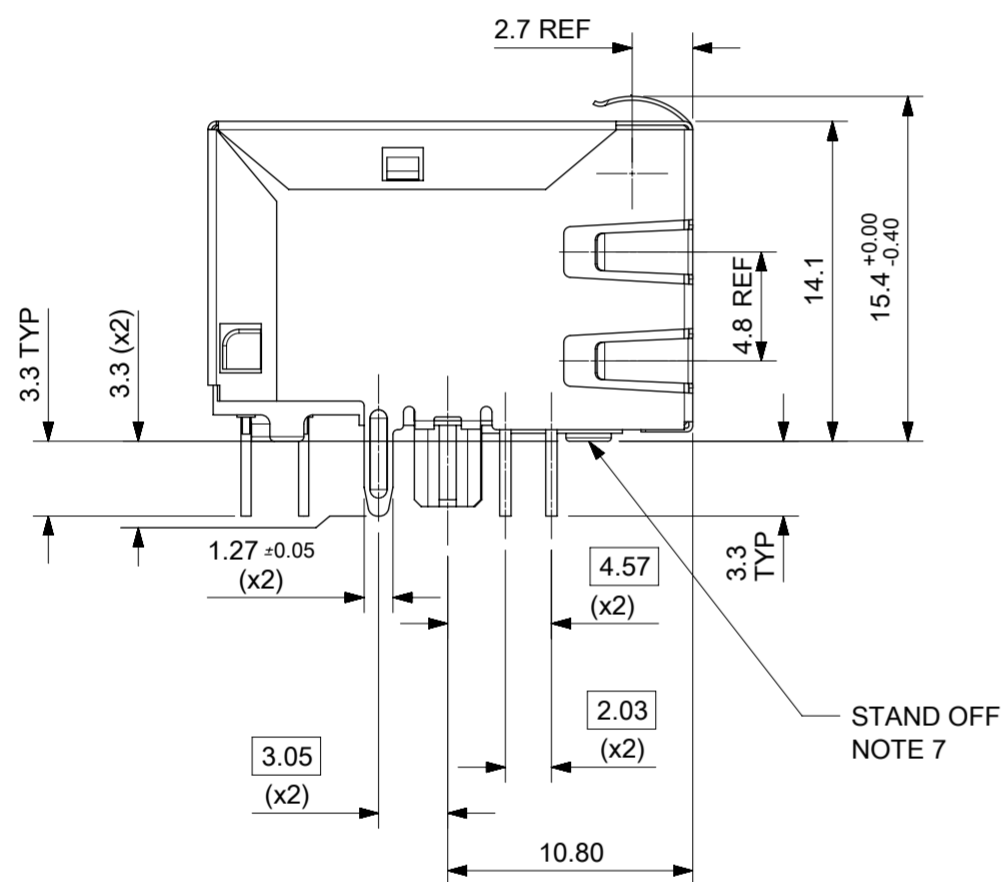
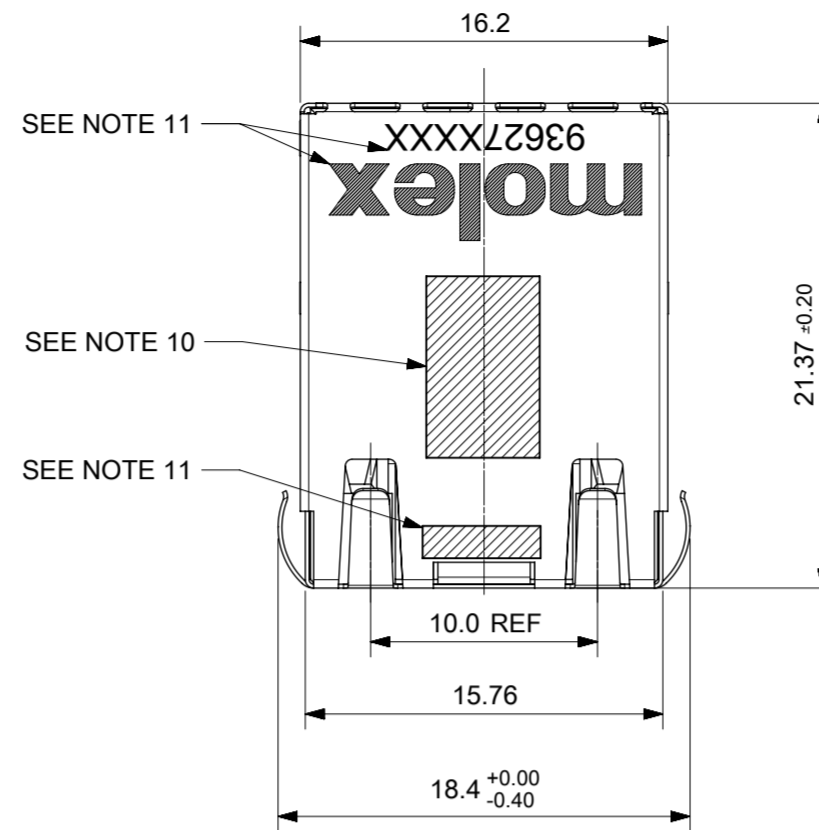
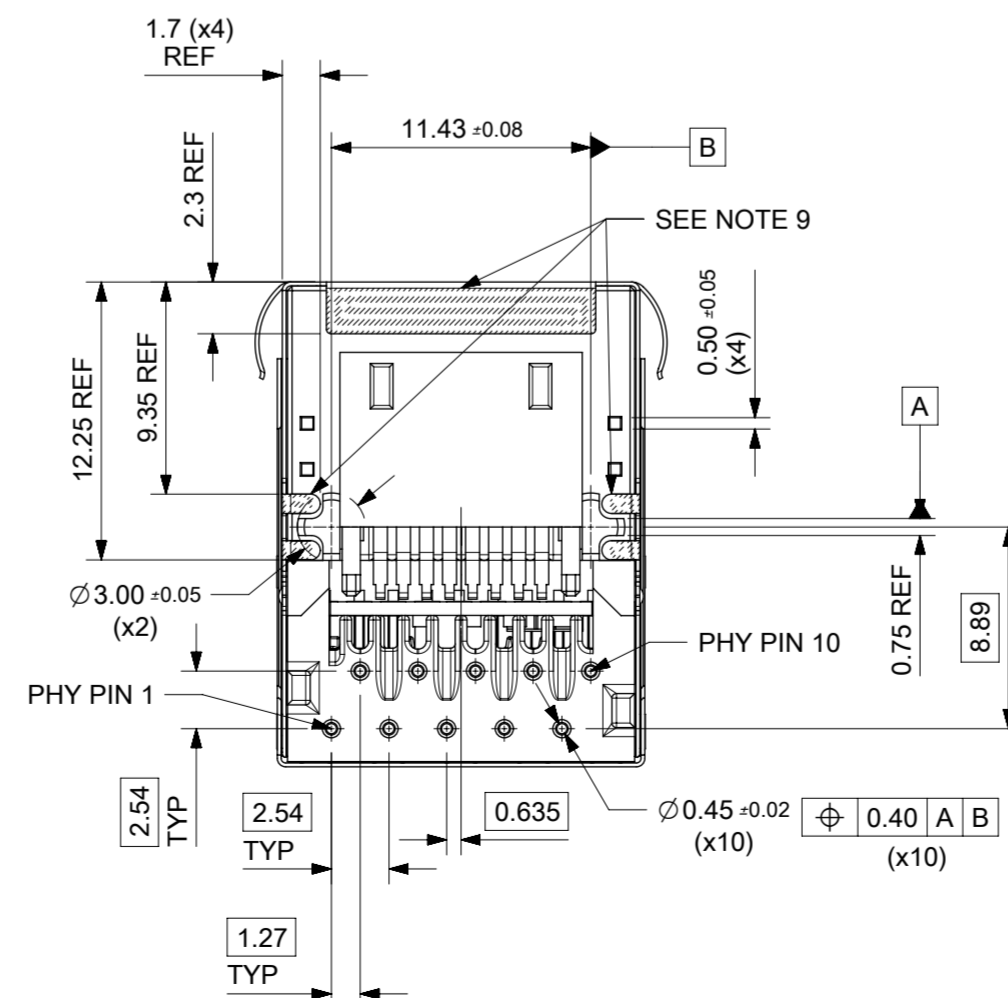


INVERTED PROFILE MAGNETIC JACK
GIGABIT ETHERNET W/LED
AND W/SHIELD TABS

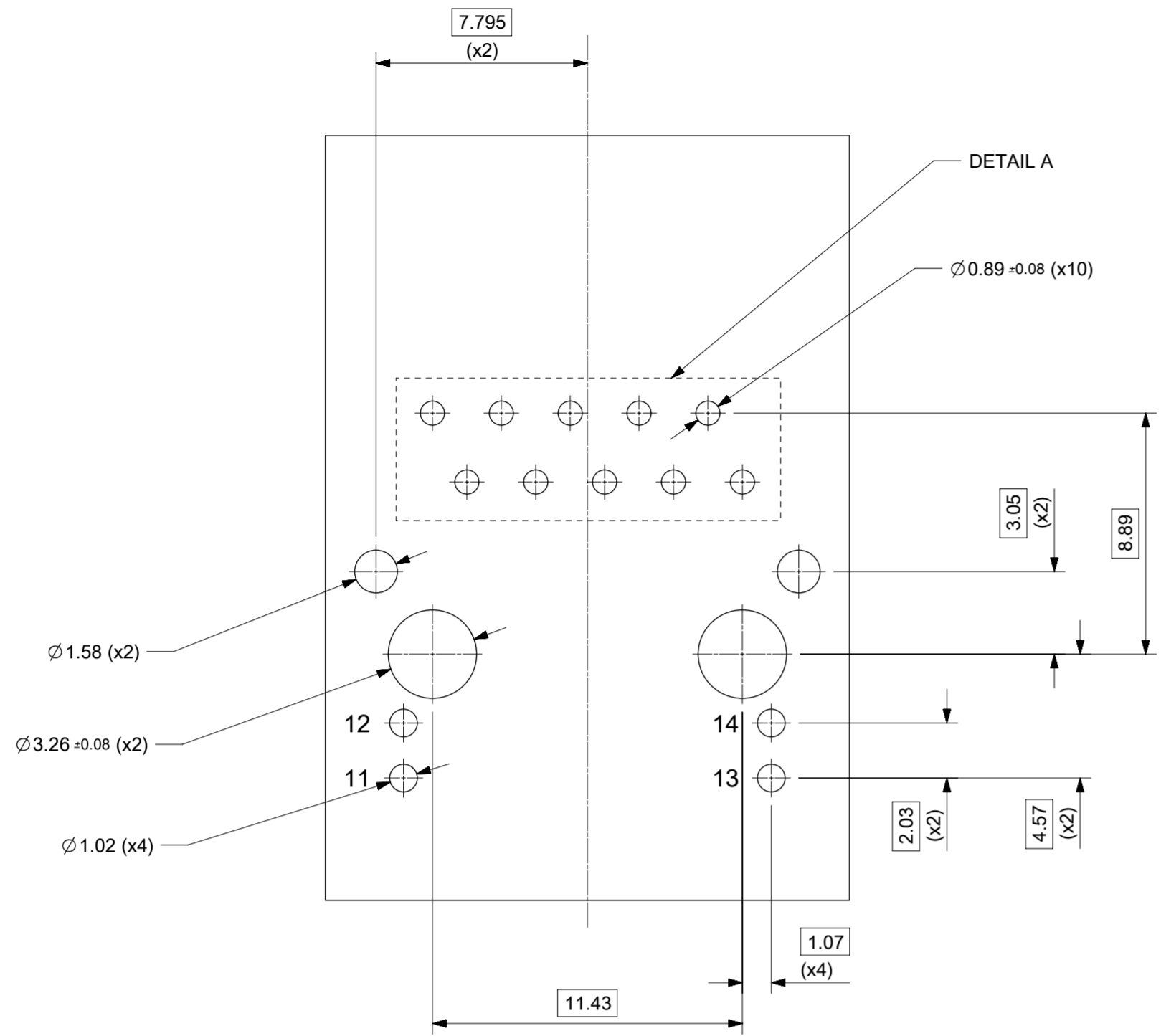


SUGGESTED PANEL CUT-OUT

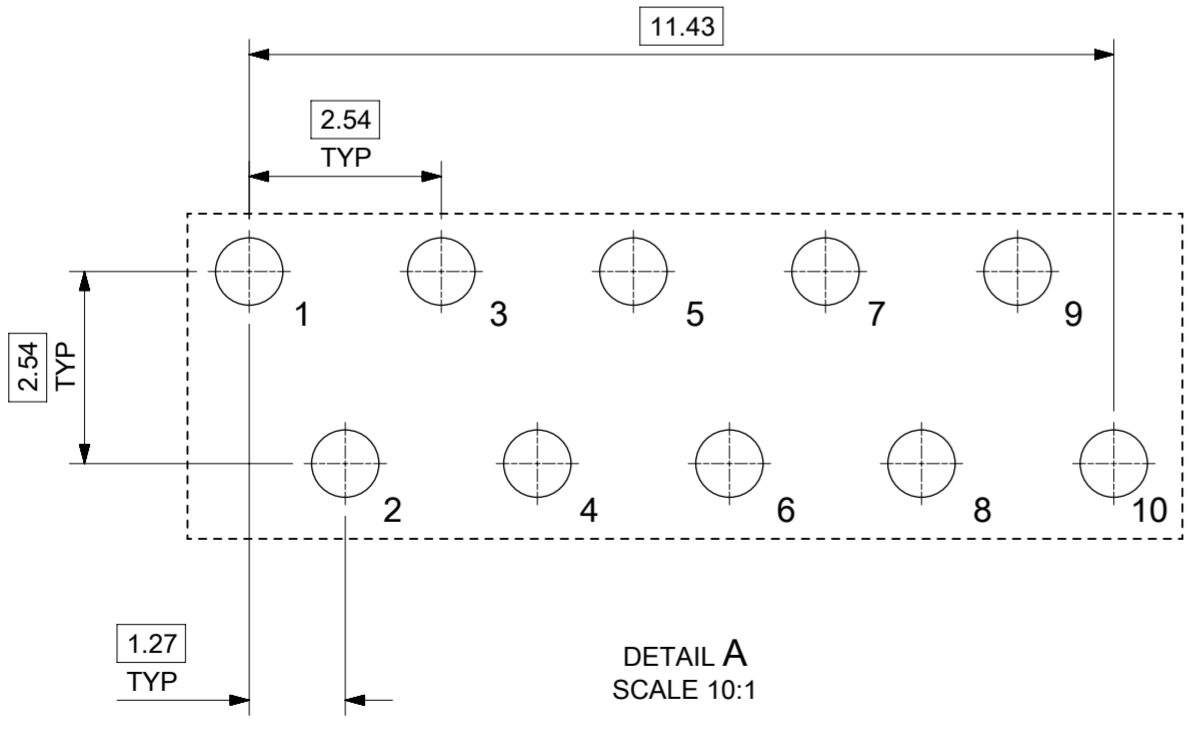


- NOTES:
- SHIELD MATERIAL: 0.17MM THICK BRASS PRE-PLATED WITH NICKEL
 - HOUSING MATERIAL: LCP, BLACK, UL 94V-0
 - TERMINALS MATERIAL: PHOSPHOR BRONZE
RJ45 CONTACTS PLATING: BASE NICKEL PLATED WITH GOLD
FLASH OVER PALLADIUM NICKEL. REFER TO 934620001 PSP
PHY SOLDER TAILS: COPPER ALLOY
 - MATING INTERFACE ACCORDING TO IEC 60603-7 & TIA-1096-A
 - PRODUCT SPECIFICATION: 934620001 PSP
 - PACKAGING SPECIFICATION: 934620001 PSK TRAY
 - STAND OFF TO SYSTEM BOARD 0.30MM MIN
 - RECOMMENDED PCB THICKNESS: 1.57MM
 - SHIELD: AVOID TO ROUTE TRACES
OR TO PLACE ANY VIAS BELOW THESE AREAS.
 - AREA FOR PICK AND PLACE: 5.0mm X 8.0mm
 - INSCRIPTION MARKED BY LASER:
1st : MOLEX
2nd : P/N (SEE BOM)
3rd : DATE CODE(DAY/WEEK/YEAR)
 - MATERIAL COMPLIANT TO RoHS DIRECTIVE 2002/95/EC

QUALITY SYMBOLS	THIS DRAWING CONTAINS INFORMATION THAT IS PROPRIETARY TO MOLEX ELECTRONIC TECHNOLOGIES, LLC AND SHOULD NOT BE USED WITHOUT WRITTEN PERMISSION		GENERAL TOLERANCES (UNLESS SPECIFIED)		DIMENSION UNITS	SCALE					
▽ = 0	2017/02/01	2017/02/24	ANGULAR TOL ± 2.0 °		MM	3:1				INV PRO MX MAG 8 CORE GIG W/LED W/EMI	
▽ = 0	REVISED EC NO: 112962 DRWN: DALLENI CHKD: DBYRNES APPR: STGRIFFIN	2017/02/22 2017/02/24	4 PLACES ±	KREILLY	DATE	2015/08/31	PRODUCT CUSTOMER DRAWING				
▽ = 0			3 PLACES ±	CHKD BY	DATE	DBYRNES	2013/02/22	SERIES	MATERIAL NUMBER	CUSTOMER	
▽ = 0			2 PLACES ± 0.1	APPR BY	DATE	STGRIFFIN	2015/11/20	93627	SEE TABLE	GENERAL MARKET	
▽ = 0			1 PLACE ± 0.2	DRAFT WHERE APPLICABLE MUST REMAIN WITHIN DIMENSIONS		DRAWING SIZE	THIRD ANGLE PROJECTION	DOCUMENT NUMBER	DOC TYPE	DOC PART	SHEET NUMBER
▽ = 0			0 PLACES ±	A2	PSD	000	1 OF 3	936270003	PSD	000	1 OF 3



SUGGESTED BOARD LAYOUT
GIGABIT VERSION
COMPONENT SIDE
ALL DIMS REFERENCE DIMS

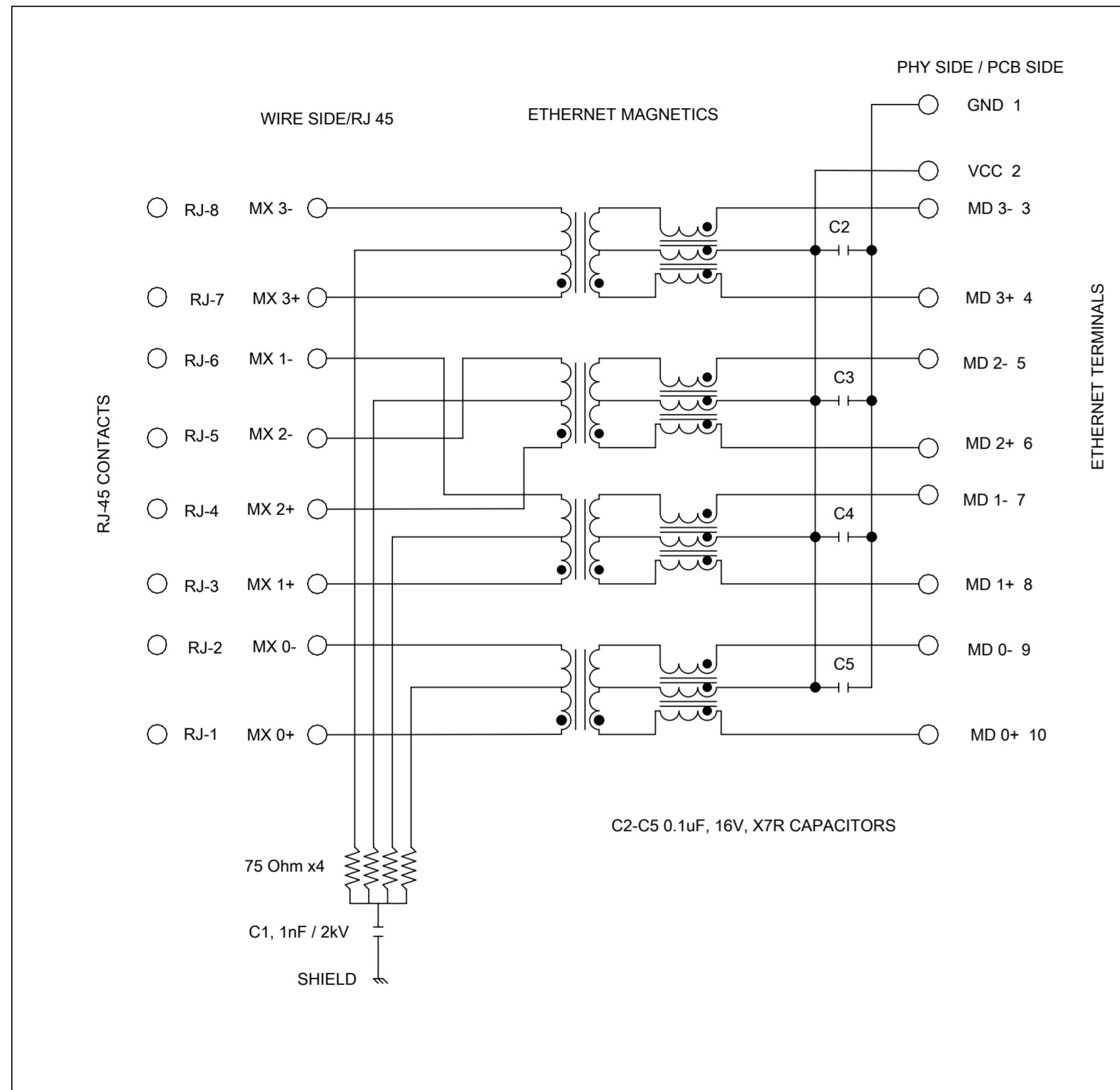


DETAIL A
SCALE 10:1

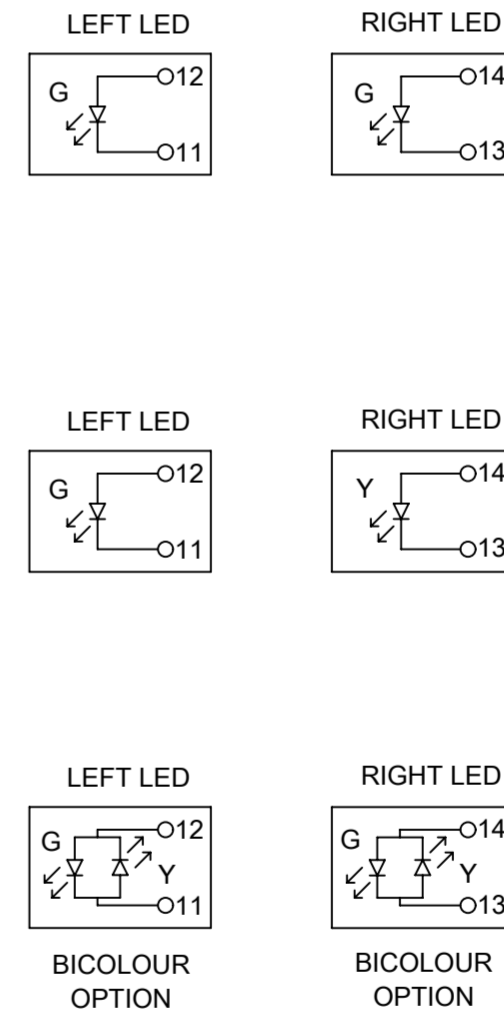
PIN CONFIGURATION
FOR GIGABIT VERSION

PART NUMBER	LEFT LED	RIGHT LED
93627-3601	GREEN	GREEN
93627-3606	GREEN	YELLOW
93627-3608	GREEN/YELLOW	GREEN/YELLOW

QUALITY SYMBOLS	THIS DRAWING CONTAINS INFORMATION THAT IS PROPRIETARY TO MOLEX ELECTRONIC TECHNOLOGIES, LLC AND SHOULD NOT BE USED WITHOUT WRITTEN PERMISSION			
▽ = 0	EC NO: 112962 DRWN: DALLENO1 CHKD: DBYRNES APPR: STGRIFFIN REV: B	GENERAL TOLERANCES (UNLESS SPECIFIED)	DIMENSION UNITS	SCALE
▽ = 0		ANGULAR TOL ± 2.0 °	MM	5:1
▽ = 0		4 PLACES ±	DRWN BY	DATE
▼ = 0		3 PLACES ±	KREILLY	2015/08/31
▽ = 0		2 PLACES ± 0.1	CHK'D BY	DATE
⊠ = 0		1 PLACE ± 0.2	DBYRNES	2015/02/22
■ = 0	0 PLACES ±	APPR BY	DATE	
▽ = 0	DRAFT WHERE APPLICABLE MUST REMAIN WITHIN DIMENSIONS	STGRIFFIN	2015/11/20	
		DRAWING SIZE	THIRD ANGLE PROJECTION	
		A2		
		SERIES: 93627 MATERIAL NUMBER: SEE CHART CUSTOMER: GENERAL MARKET		
		DOCUMENT NUMBER: 936270003 DOC TYPE: PSD DOC PART: 000 SHEET NUMBER: 2 OF 3		



Description	Value	
OCL @100kHz, 0.1V 8mA DC bias 0°C to +70°C)	350µH min.	
Turns ratio	1CT:1CT	
Transmission characteristics @ 25°C, all four pairs		
Insertion Loss		
Frequency (MHz)	Limits (dB max.)	Typical Values (dB max.)
1.0-9.9 MHz	0.4+0.1*log(F)	0.5 @ 10MHz
10-49.9 MHz	0.5+0.3*log(F/10)	0.7 @ 50MHz
50-79.9 MHz	1+1.4*log(F/80)	1.0 @ 80MHz
80-100 MHz	1.3+3*log(F/100)	1.3 @ 100MHz
Return Loss		
Frequency (MHz)	Limits (dB min.)	Typical Values (dB min.)
1.0-39.9 MHz	18	18 @ 40MHz
40-100 MHz	12-20*log(F/80)	10 @ 100MHz
CMR		
Frequency (MHz)	Limits (dB min.)	Typical Values (dB min.)
1.0-100MHz	30	30 @ 100MHz
Next		
Frequency (MHz)	Limits (dB min.)	Typical Values (dB min.)
1.0-39.9MHz	35	35 @ 40MHz
40-100MHz	33-20*log(F/50)	27 @ 100MHz
Isolation PHY to wire side	2.25kVDC/60sec	



QUALITY SYMBOLS	THIS DRAWING CONTAINS INFORMATION THAT IS PROPRIETARY TO MOLEX ELECTRONIC TECHNOLOGIES, LLC AND SHOULD NOT BE USED WITHOUT WRITTEN PERMISSION		GENERAL TOLERANCES (UNLESS SPECIFIED)		DIMENSION UNITS	SCALE	molex®			
▽ = 0	REVISED EC NO: 112962 DRWN: DALLENO1 CHKD: DBYRNES APPR: STGRIFFIN	2017/02/01	2017/02/22	2017/02/24	MM	1:1	INV PRO MX MAG 8 CORE GIG W/LED W/EMI			
▽ = 0		4 PLACES ±	3 PLACES ±	2 PLACES ± 0.1	DRWN BY	DATE				
▽ = 0		3 PLACES ±	2 PLACES ± 0.2	1 PLACE ± 0.2	0 PLACES ±	KREILLY	2015/08/31	PRODUCT CUSTOMER DRAWING		
▽ = 0		3 PLACES ±	2 PLACES ± 0.1	1 PLACE ± 0.2	0 PLACES ±	CHK'D BY	DATE	SERIES	MATERIAL NUMBER	CUSTOMER
▽ = 0		3 PLACES ±	2 PLACES ± 0.1	1 PLACE ± 0.2	0 PLACES ±	DBYRNES	2015/02/22	93627	SEE CHART	GENERAL MARKET
▽ = 0		3 PLACES ±	2 PLACES ± 0.1	1 PLACE ± 0.2	0 PLACES ±	STGRIFFIN	2015/11/20	936270003	PSD	000
▽ = 0	DRAFT WHERE APPLICABLE MUST REMAIN WITHIN DIMENSIONS		DRAWING SIZE		THIRD ANGLE PROJECTION					
▽ = 0	A2		A2							