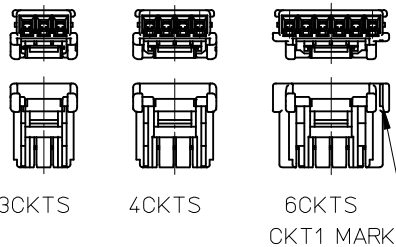
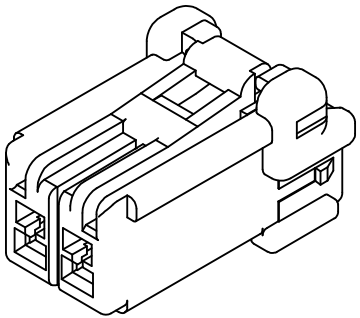


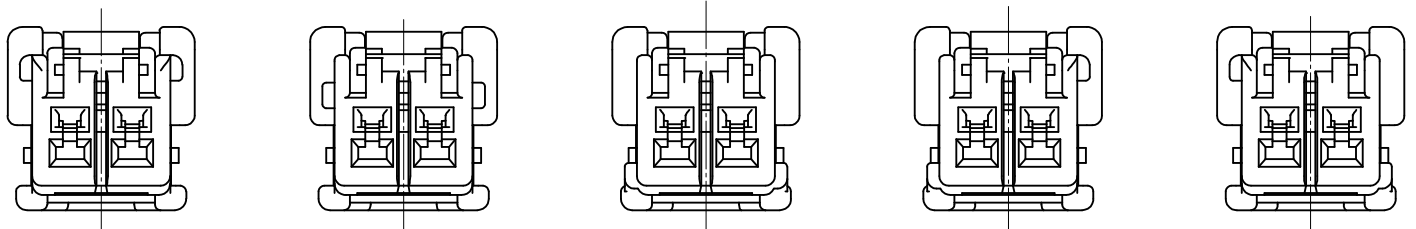
10 9 8 7 6 5 4 3 2 1



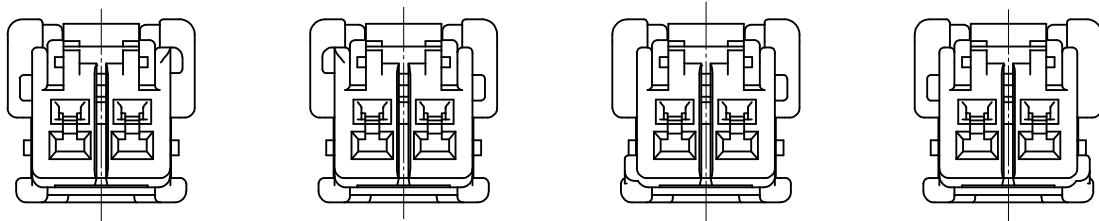
VIEW OF 3,4,6CKTS
(SCALE 1:1)



ISOMETRIC VIEW
(SCALE 4:1)



KEY TYPE:1 COLOR:NATURAL MATERIAL NO.:5046930200
 KEY TYPE:2 COLOR:BLACK MATERIAL NO.:5046930201
 KEY TYPE:3 COLOR:RED MATERIAL NO.5046930202
 KEY TYPE:4 COLOR:YELLOW MATERIAL NO.:5046930203
 KEY TYPE:5 COLOR:BLUE MATERIAL NO.:5046930204



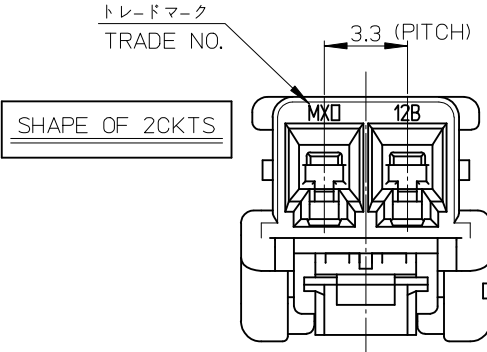
KEY TYPE:6 COLOR:PINK MATERIAL NO.:5046930205
 KEY TYPE:7 COLOR:GREEN MATERIAL NO.:5046930206
 KEY TYPE:8 COLOR:ORANGE MATERIAL NO.:5046930208
 KEY TYPE:9 COLOR:VIOLET MATERIAL NO.:5046930209

MATING
KEY TYPE & COLOR
REFERENCE 2 CKTS

504694060*	5046950607	6						5046930604	5046930603	5046930602	5046930601	5046930600
504694040*	5046950407	4						5046930404	5046930403	5046930402	5046930401	5046930400
504694030*	5046950307	3									5046930301	5046930300
504694020*	5046950207	2	5046930209	5046930208	5046930206	5046930205	5046930204	5046930203	5046930202	5046930201	5046930200	
MATE WITH	COMFORTABLE-RETAINER	CKT.	VIOLET	ORANGE	GREEN	PINK	BLUE	YELLOW	RED	BLACK	NATURAL	

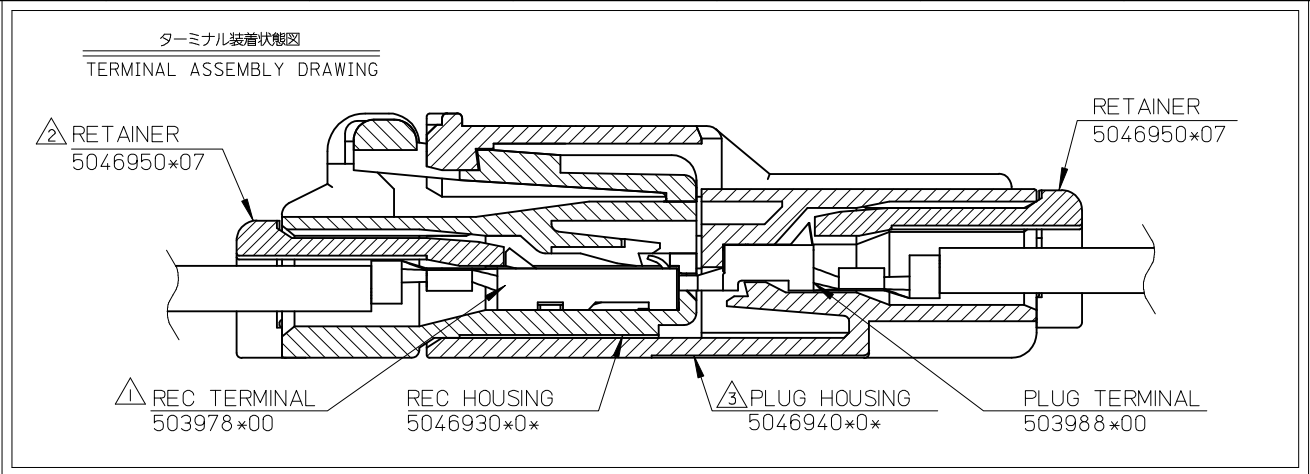
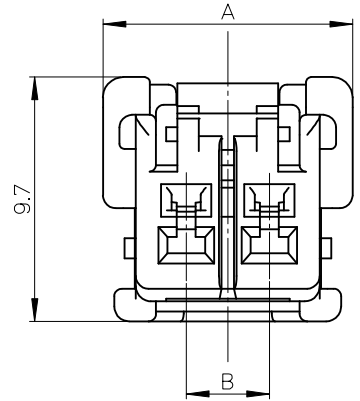
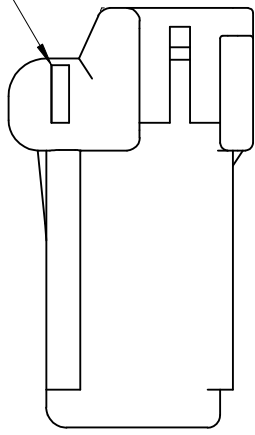
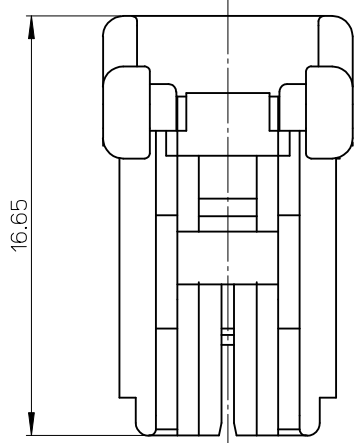
REVISED EC NO.: J2015-0993 DRWN: NITO CHKD: KASAKAWA APPR: NUKITA	2015/01/29 2015/02/10 2015/02/12	GENERAL TOLERANCES (UNLESS SPECIFIED)			DIMENSION STYLE MM ONLY		SCALE 5:1	DESIGN UNITS METRIC	THIRD ANGLE PROJECTION	
		0.25 UNDER	UNDER	±0.03	DRAWN BY MIKEDA01	DATE 2013/09/06	TITLE 3.3 W/W CONN. REC HOUSING			
		0.25 OVER	0.5 UNDER	±0.05	CHECKED BY KASAKAWA	DATE 2013/11/28				
		0.5 OVER	1.0 UNDER	±0.1	APPROVED BY NUKITA	DATE 2013/12/03				
		1.0 OVER	10 UNDER	±0.2	MATERIAL NO.		DOCUMENT NO. SD-504693-001	SHEET NO. 2 OF 2		
10 OVER	30 UNDER	±0.25	DRAFT WHERE APPLICABLE MUST REMAIN WITHIN DIMENSIONS		THIS DRAWING CONTAINS INFORMATION THAT IS PROPRIETARY TO MOLEX INCORPORATED AND SHOULD NOT BE USED WITHOUT WRITTEN PERMISSION					
30 OVER		±0.3	SIZE A3							
ANGULAR	±1 °									

9 8 7 6 5 4 3 2 1



SHAPE OF 2CKTS

回路番号1マーク
CKT. NO.1 MARK



ターミナル装着状態図
TERMINAL ASSEMBLY DRAWING

注記
NOTES

- ① 適合ターミナル：50397 シリーズ
APPLICABLE TERMINAL：50397 SERIES
- ② 適合リテーナー：504695 シリーズ
APPLICABLE RETAINER：504695 SERIES
- ③ 嵌合相手：504694 シリーズ
MATE WITH：504694 SERIES
- ④ 材質：PBT (UL94V-0)
MATERIAL：PBT(UL94V-0)

5. MATERIAL NO. は以下の内容を示す。
MATERIAL NO. :

504693 **0*

極数 CKT	色 COLOR
0	自然色 NATURAL
1	黒 BLACK
2	赤 RED
3	黄 YELLOW
4	青 BLUE
5	桃 PINK
6	緑 GREEN
8	橙 ORANGE
9	紫 VIOLET

6. コネクタの取扱いについては、AS-504693-001/002を参照。
PLEASE REFER TO AS-504693-001/002.

16.5	23.1	6	504693060*	504693-0*0*
9.9	16.5	4	504693040*	
6.6	13.2	3	504693030*	
3.3	9.9	2	504693020*	
(B)	A	CKT.	MATERIAL NO.	MODEL NO.

REVISED EC NO: J2015-0993 DRW:NITTO 2015/01/29 CHKD:KASAKAWA 2015/02/10 APPR:NUKITA 2015/02/12	GENERAL TOLERANCES (UNLESS SPECIFIED)			DIMENSION STYLE MM ONLY		SCALE 5:1	DESIGN UNITS METRIC	THIRD ANGLE PROJECTION
	0.25 UNDER	UNDER	±0.03	DRAWN BY MIKEDA01	DATE 2013/09/06	TITLE 3.3 W/W CONN. REC HOUSING		
	0.25 OVER	0.5 UNDER	±0.05	CHECKED BY KASAKAWA	DATE 2013/11/28			
	0.5 OVER	1.0 UNDER	±0.1	APPROVED BY NUKITA	DATE 2013/12/03			
	1.0 OVER	10 UNDER	±0.2	MATERIAL NO.		DOCUMENT NO.	SHEET NO.	
10 OVER	30 UNDER	±0.25	SEE CHART		SD-504693-001	1 OF 2		
30 OVER		±0.3	SIZE A3		THIS DRAWING CONTAINS INFORMATION THAT IS PROPRIETARY TO MOLEX INCORPORATED AND SHOULD NOT BE USED WITHOUT WRITTEN PERMISSION			
ANGULAR	±1 °		DRAFT WHERE APPLICABLE MUST REMAIN WITHIN DIMENSIONS					