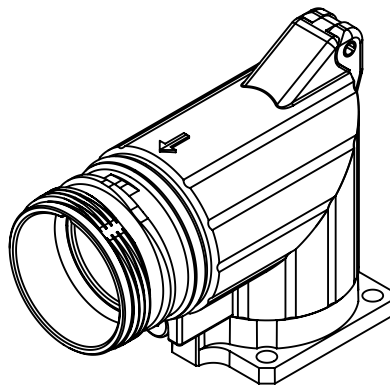
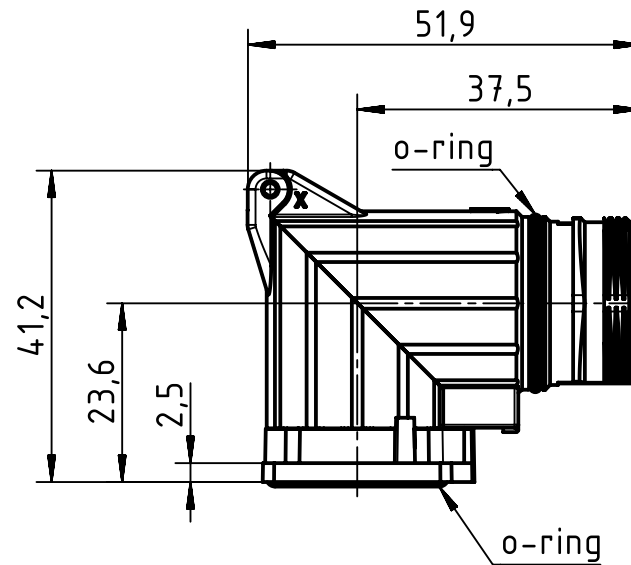
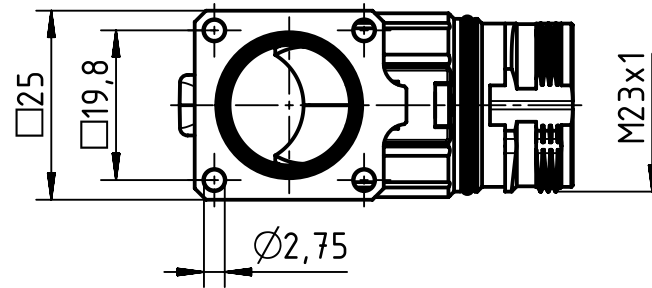
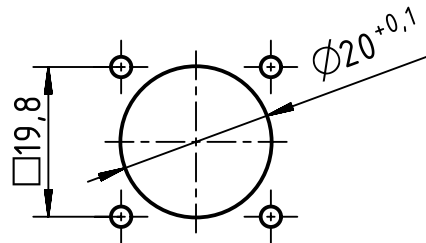


panel cut out



	All rights reserved Department EL PD - DE	All Dimensions in mm Original Size DIN A4		Scale 1:1	Free size tol.		Ref. Sub.		
		HARTING Electric GmbH & Co. KG D-32339 Espelkamp		Created by KLASSEN P	Inspected by RIEPE	Standardisation TIEMANNA	Date 2017-02-15	State Final Release	
Title Han M23 HMB angled - rotatable							Doc-Key / ECM-Nr. 100708783/UGD/001/B 500000115544		
Type TB			Number 09 15 100 0902				Rev. B	Page 1/1	