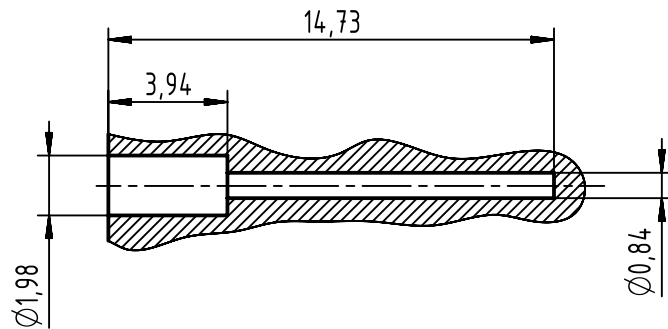



Z (4:1)



used with hand crimp tool : 09 99 000 0501

and crimp contact : 09 56 000 8385 / 09 56 000 8387

	All rights reserved Department EC PD - FR	All Dimensions in mm Original Size DIN A4		Scale 2:1	Free size tol.	Ref. Sub.
		Created by BOURGEOIS	Inspected by BAGDIKIAN	Standardisation HOFFMANN	Date 2014-09-10	State Final Release
HARTING Electronics GmbH D-32339 Espelkamp		Title D-Sub HD Positioner for MA Crimp contact				Doc-Key / ECM-Nr. 100580288/UGD/000/A 500000075801
		Type TB	Number 09990000525		Rev. A	Page 1/1