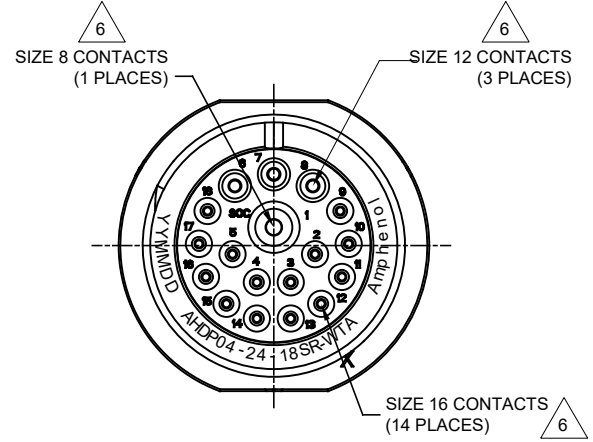
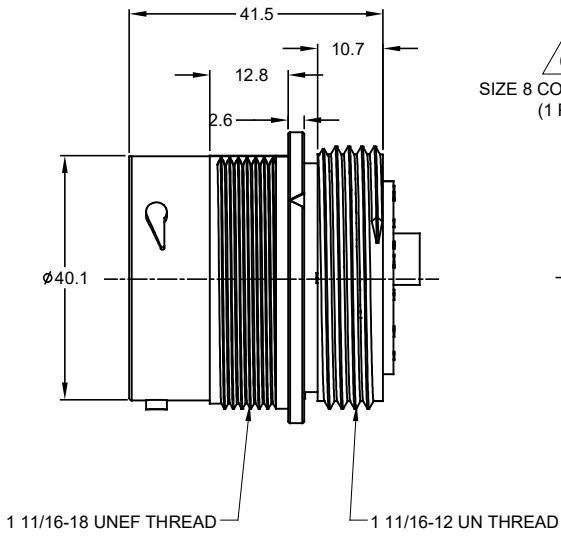
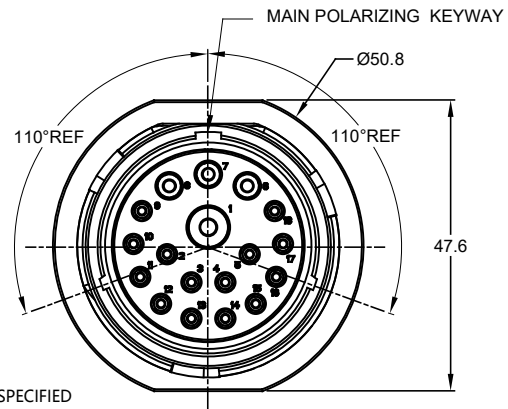
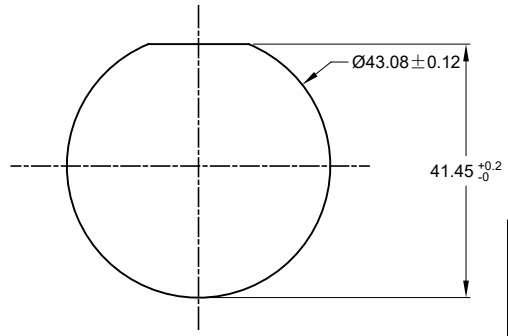


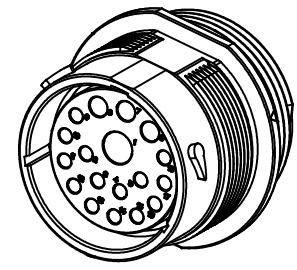
REVISIONS					
REV	ECO	DESCRIPTION	DATE	BY	APPR
A1	-	RELEASE NEW DRAWING	28MAY17	RIMON	TOMMY



- NOTES: UNLESS OTHERWISE SPECIFIED
- MATERIAL:  
HOUSING: THERMOPLASTIC; BLACK  
SEAL: SILICONE RUBBER
  - MODIFICATIONS: THREADED ADAPTER;  
REDUCED DIA. WIRE SEAL
  - SPECIFICATIONS:
    - OPERATING TEMPERATURE: -55°C ~ +125°C.
    - DIELECTRIC WITHSTANDING VOLTAGE: LESS THAN 2 MILLIAMPS CURRENT LEAKAGE @ 1500 VOLTS AC.
    - INSULATION RESISTANCE: 1000 MEGOHM MIN @ 25°C.
    - MOISTURE RESISTANCE: IP67 ( MATED CONDITION ).
    - MATING CYCLE DURABILITY: 100 CYCLES
    - RoHS COMPLIANT
  - MATING PART: AHDP06-24-18P\* (\* = SEAL TYPE)
  - ALL DIMENSIONS ARE FOR REFERENCE USE ONLY.



RECOMMENDED PANEL MOUNTING HOLE  
RECOMMENDED PANEL THICKNESS: 1.6 TO 4.7MM



△ CONTACT SIZE AND WIRE RANGE:

CONTACT SIZE	MIN. INSUL O.D.	MAX. INSUL O.D.	TYPICAL WIRE RANGE	CURRENT RATING
08	3.43 mm (.135in)	5.59 mm (.220 in)	8-10 AWG	60 AMPS
12	2.46 mm (.097 in)	4.01 mm (.158 in)	10-14 AWG	25 AMPS
16	1.35 mm (.053in)	3.05 mm (.120 in)	14-20 AWG	13 AMPS

AHDP04-24-18SR-WTA		DESCRIPTION		ITEM
PART NUMBER		DESCRIPTION		ITEM
QUANTITY MATERIALS LIST				
UNLESS OTHERWISE SPECIFIED				
1) All dimensions are in metric(mm).				
2) Tolerances are as follows:				
1 PL DEC ±0.30 Fractions ±1/64				
2 PL DEC ±0.15 Angles ±1°				
3 PL DEC ±0.08				
3) Note reference = △				
SIGNATURES		DATE		
DRAWN: RIMONMA		09MAY17		
CHECKED: CRIONLI		09MAY17		
ENGINEER:				
APPROVAL: TOMMY.XIE		09MAY17		
CUSTOMER:				
MATERIAL SPECIFICATIONS:				
PROCESS SPECIFICATIONS:				
NEXT ASSY:				
THIS DRAWING IS SUPPLIED FOR INFORMATION ONLY. DESIGN FEATURES, SPECIFICATIONS AND PERFORMANCE DATA SHOWN HEREON ARE THE PROPERTY OF THE AMPHENOL CORPORATION. NO RIGHTS OF REPRODUCTION ARE IMPLIED. ALL DIMENSIONS ARE SUBJECT TO NORMAL MANUFACTURING VARIATIONS.		<p><b>Amphenol</b></p> <p>Sine Systems - www.amphenol-sine.com 44724 Morley Drive Clinton Township, MI 48036</p> <p>RECEPTACLE, 24-18 POS, SOCKET CONTACT REDUCED DIA. SEAL, AHDP SERIES</p>		
SIZE	TYPE	DWG NO.	REVISION	
B	C-	AHDP04-24-18SR-WTA	A1	
SCALE:	NONE	SHEET 1 OF 1		

TITLE: RECEPTACLE SOCKET CONTACT, REDUCED DIA. SEAL, AHDP  
DWG NO.: AHDP04-24-18SR-WTA  
REV: A1  
SH: 1  
OF: 1