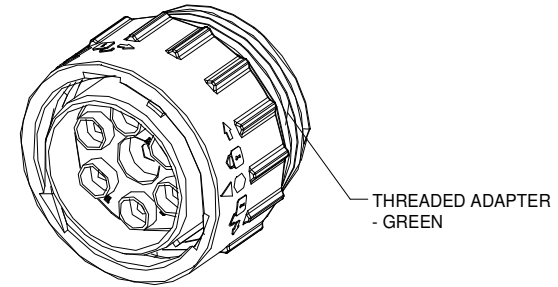
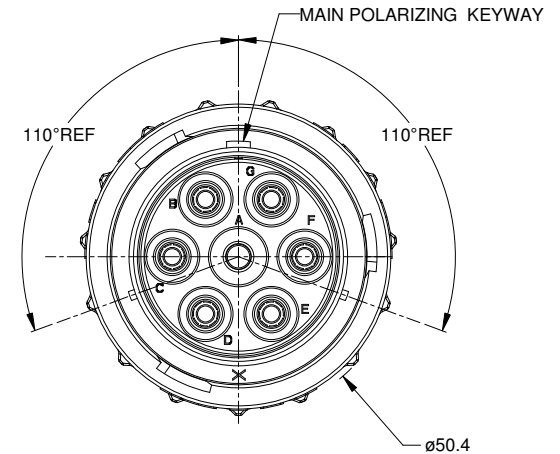
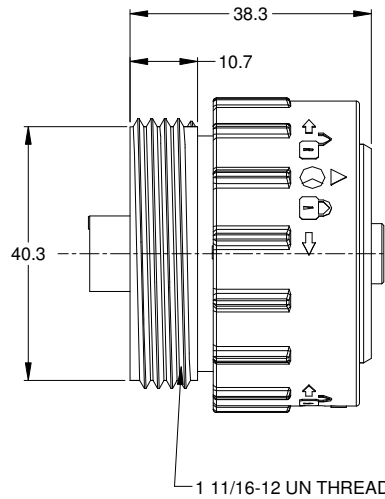
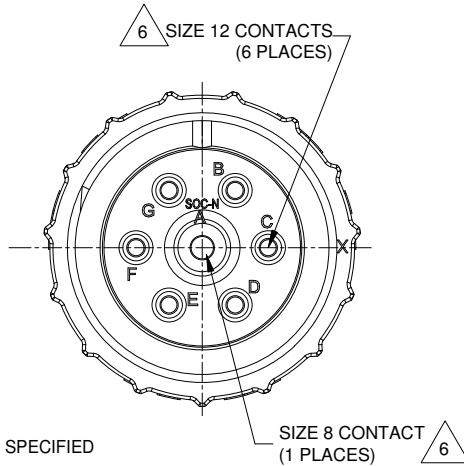


REVISIONS					
REV	ECO	DESCRIPTION	DATE	BY	APPR
01		PRELIMINARY DESIGN	25JAN15	ORION	
02		UPDATED DRAWING	12MAR15	ORION	



NOTES: UNLESS OTHERWISE SPECIFIED

- MATERIAL:
HOUSING: THERMOPLASTIC; BLACK
SEAL: SILICONE RUBBER
- MODIFICATIONS: THREADED ADAPTER
- SPECIFICATIONS:
 - OPERATING TEMPERATURE: -55°C TO +125°C.
 - DIELECTRIC WITHSTANDING VOLTAGE: LESS THAN 2 MILLIAMPS CURRENT LEAKAGE @ 5000 VOLTS AC.
 - INSULATION RESISTANCE: 1000 MEGOHM MIN @ 25°C.
 - MOISTURE RESISTANCE: IP67 (MATED CONDITION).
 - MATING CYCLE DURABILITY: 100 CYCLES
 - RoHS COMPLIANT
- MATING PART: AHDP04-24-07P* (* = SEAL TYPE)
- ALL DIMENSIONS ARE FOR REFERENCE USE ONLY.

△ CONTACT SIZE AND WIRE RANGE:

CONTACT SIZE	MIN. INSUL O.D.	MAX. INSUL O.D.	TYPICAL WIRE RANGE	CURRENT RATING
12	3.43 mm (.135 in)	4.32 mm (.170 in)	10-14 AWG	25 AMPS
8	4.83 mm (.190 in)	6.10 mm (.240 in)	7-10 AWG	80 AMPS

AHDPO6-24-07SN-WTA		DESCRIPTION		ITEM
PART NUMBER				
QUANTITY	MATERIALS LIST			
UNLESS OTHERWISE SPECIFIED	SIGNATURES	DATE	<h1>Amphenol</h1> <p>Sine Systems - www.amphenol-sine.com 44724 Morley Drive Clinton Township, MI 48036</p> <p>PLUG,24-07 POS, SOCKET CONTACT STANDARD DIA. SEAL, AHDP SERIES</p>	
1) All dimensions are in metric(mm).	DRAWN: ORIONLI	25JAN15		
2) Tolerances are as follows:	CHECKED: TOMMY.XIE	28JAN15		
1 PL DEC ±0.50 2 PL DEC ±0.15 3 PL DEC ±0.08	ENGINEER:			
3) Note reference = △	APPROVAL:		REVISION	
MATERIAL SPECIFICATIONS:	CUSTOMER:		SIZE	TYPE
PROCESS SPECIFICATIONS:	THIS DRAWING IS SUPPLIED FOR INFORMATION ONLY. DESIGN FEATURES, SPECIFICATIONS AND PERFORMANCE DATA SHOWN HEREON ARE THE PROPERTY OF THE AMPHENOL CORPORATION. NO RIGHTS OF REPRODUCTION ARE IMPLIED. ALL DIMENSIONS ARE SUBJECT TO NORMAL MANUFACTURING VARIATIONS.		B	C-
NEXT ASSY:			DWG NO:	AHDPO6-24-07SN-WTA
			SCALE:	NONE
				02
			SHEET	1 OF 1

TITLE: RECEPTACLE SOCKET CONTACT STANDARD DIA. SEAL AHDP
DWG NO.: AHDPO6-24-07SN-WTA
REV: 02
SH: 1
OF: 1