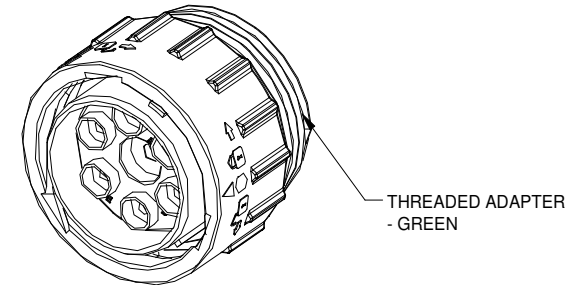
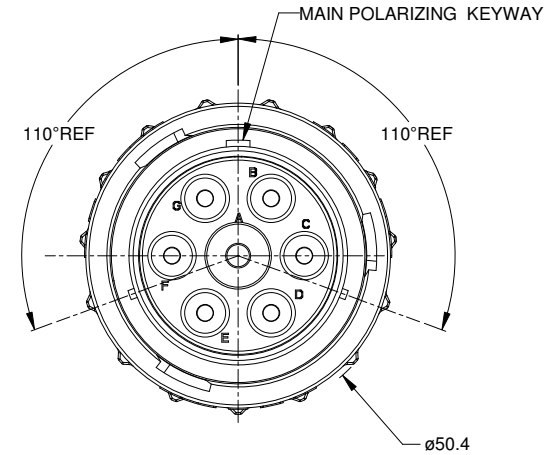
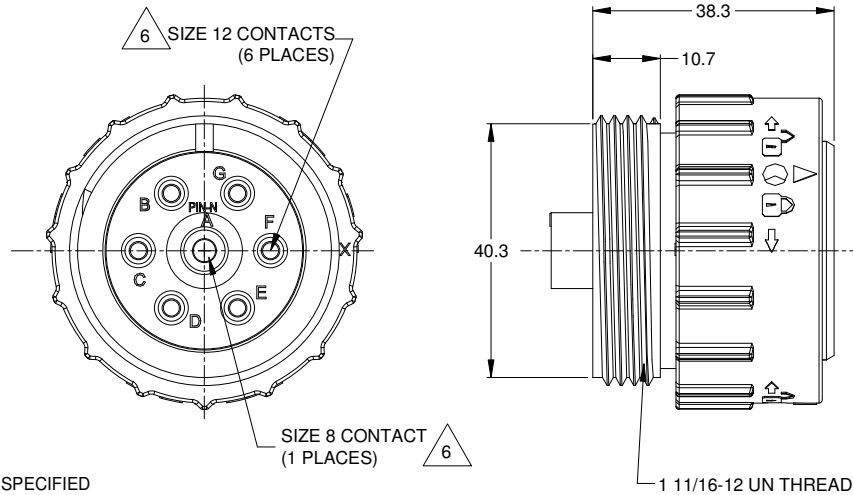


REVISIONS					
REV	ECO	DESCRIPTION	DATE	BY	APPR
01		PRELIMINARY DESIGN	25JAN15	ORION	
02		UPDATED DRAWING	12MAR15	ORION	



NOTES: UNLESS OTHERWISE SPECIFIED

- MATERIAL:  
HOUSING: THERMOPLASTIC; BLACK  
SEAL: SILICONE RUBBER
- MODIFICATIONS: THREADED ADAPTER
- SPECIFICATIONS:
  - OPERATING TEMPERATURE: -55°C TO +125°C.
  - DIELECTRIC WITHSTANDING VOLTAGE: LESS THAN 2 MILLIAMPS CURRENT LEAKAGE @ 5000 VOLTS AC.
  - INSULATION RESISTANCE: 1000 MEGOHM MIN @ 25°C.
  - MOISTURE RESISTANCE: IP67 ( MATED CONDITION ).
  - MATING CYCLE DURABILITY: 100 CYCLES
  - RoHS COMPLIANT
- MATING PART: AHDP04-24-07S\* (\* = SEAL TYPE)
- ALL DIMENSIONS ARE FOR REFERENCE USE ONLY.

△ CONTACT SIZE AND WIRE RANGE:

CONTACT SIZE	MIN. INSUL O.D.	MAX. INSUL O.D.	TYPICAL WIRE RANGE	CURRENT RATING
12	3.43 mm (.135 in)	4.32 mm (.170 in)	10-14 AWG	25 AMPS
8	4.83 mm (.190 in)	6.10 mm (.240 in)	7-10 AWG	80 AMPS

AHPD06-24-07PN-WTA		PART NUMBER		DESCRIPTION		ITEM
QUANTITY		MATERIALS LIST				
UNLESS OTHERWISE SPECIFIED 1) All dimensions are in metric(mm). 2) Tolerances are as follows: 1 PL DEC ±0.50   Fractions ±1/64 2 PL DEC ±0.15 3 PL DEC ±0.08 3) Note reference = △ X		SIGNATURES DRAWN: ORIONLI CHECKED: TOMMY.XIE ENGINEER:		DATE 25JAN15 28JAN15		<b>Amphenol</b> Sine Systems - www.amphenol-sine.com 44724 Morley Drive Clinton Township, MI 48036
MATERIAL SPECIFICATIONS:		APPROVAL:		CUSTOMER:		
PROCESS SPECIFICATIONS:		THIS DRAWING IS SUPPLIED FOR INFORMATION ONLY. DESIGN FEATURES, SPECIFICATIONS AND PERFORMANCE DATA SHOWN HEREON ARE THE PROPERTY OF THE AMPHENOL CORPORATION. NO RIGHTS OF REPRODUCTION ARE IMPLIED. ALL DIMENSIONS ARE SUBJECT TO NORMAL MANUFACTURING VARIATIONS.		SIZE: B C- TYPE: AHPD06-24-07PN-WTA SCALE: NONE		REVISION: 02
NEXT ASSY:				SHEET 1 OF 1		

TITLE: RESEP 24-07 POS, PIN CONTACT STANDARD DIA. SEAL AHDP  
DWG NO.: AHPD06-24-07PN-WTA  
REV: 02  
SH: 1  
OF: 1