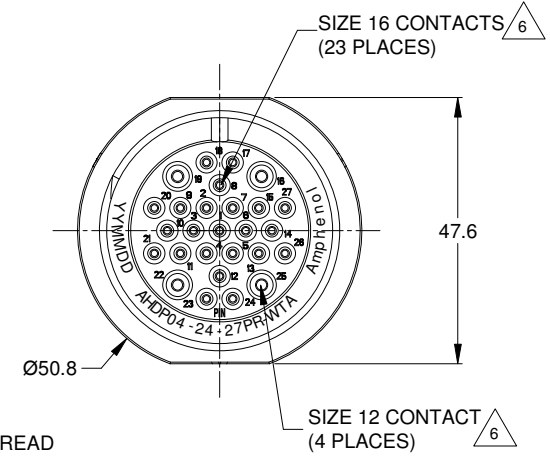
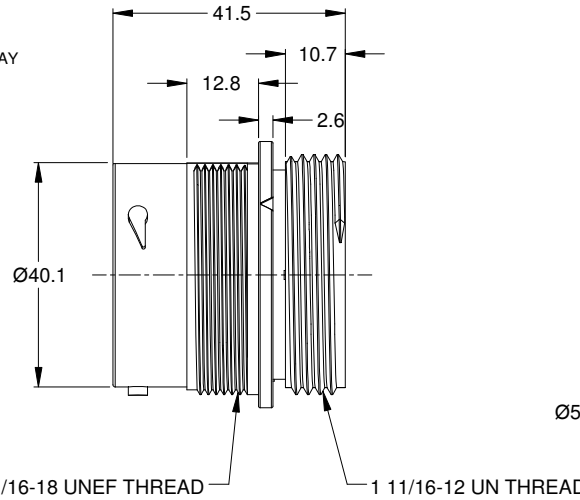
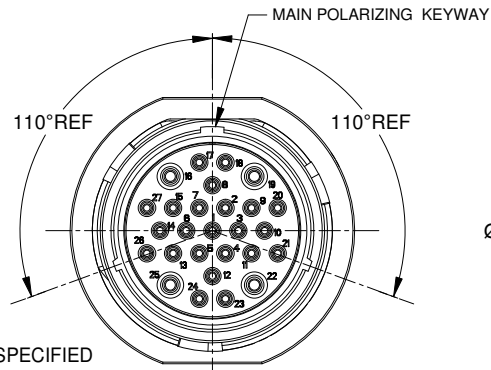


REVISIONS					
REV	ECO	DESCRIPTION	DATE	BY	APPR
A1		RELEASE NEW DRAWING	27JUL16	ORION	TOMMY



NOTES: UNLESS OTHERWISE SPECIFIED
 . MATERIAL:
 HOUSING: THERMOPLASTIC; BLACK
 SEAL: SILICONE RUBBER

2. MODIFICATIONS: THREADED ADAPTER;
 REDUCED DIA. WIRE SEAL

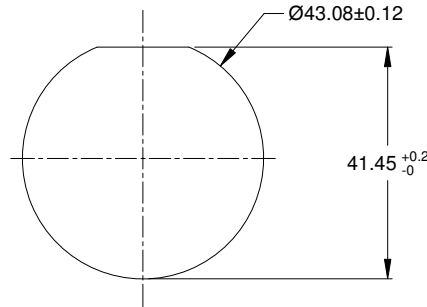
3. SPECIFICATIONS:
 3.1 OPERATING TEMPERATURE: -55°C TO +125°C.
 3.2 DIELECTRIC WITHSTANDING VOLTAGE: LESS THAN 2 MILLIAMPS CURRENT LEAKAGE @ 1500 VOLTS AC.
 3.3 INSULATION RESISTANCE: 1000 MEGOHM MIN @ 25°C.
 3.4 MOISTURE RESISTANCE: IP67 (MATED CONDITION).
 3.5 MATING CYCLE DURABILITY: 100 CYCLES
 3.6 RoHS COMPLIANT

4. MATING PART: AHDP06-24-27S* (* = SEAL TYPE)

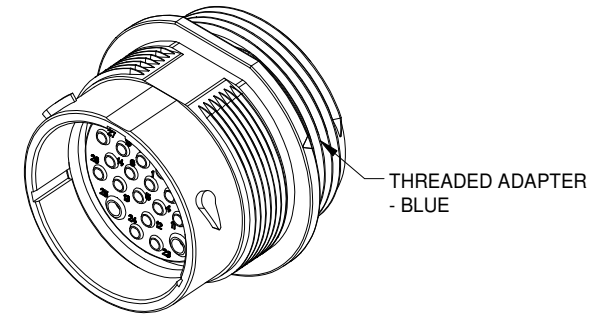
5. ALL DIMENSIONS ARE FOR REFERENCE USE ONLY.

△ CONTACT SIZE AND WIRE RANGE:

CONTACT SIZE	MIN. INSUL O.D.	MAX. INSUL O.D.	TYPICAL WIRE RANGE	CURRENT RATING
16	1.35 mm (.053in)	2.62 mm (.103 in)	14-20 AWG	13 AMPS
12	2.46 mm (.097 in)	4.01 mm (.158 in)	10-14 AWG	25 AMPS



RECOMMENDED PANEL MOUNTING HOLE
 RECOMMENDED PANEL THICKNESS: 1.6 TO 4.7MM



AHDP04-24-27PR-WTA		PART NUMBER		DESCRIPTION		ITEM
MATERIALS LIST						
UNLESS OTHERWISE SPECIFIED: 1) All dimensions are in metric (mm). 2) Tolerances are as follows: 1 PL DEC ±0.30 Fractions ±1/64 2 PL DEC ±0.15 Angles ±1° 3 PL DEC ±0.08 3) Note reference - △						
SIGNATURES		DATE		 Sine Systems - www.amphenol-sine.com 44724 Morley Drive Clinton Township, MI 48036		
DRAWN: ORION LI		27JUL16				
CHECKED: ORION LI		27JUL16				
ENGINEER:		APPROVAL: TOMMY XIE		DATE: 27JUL16		RECEP.,24-27 POS, PIN CONTACT REDUCED DIA. SEAL, AHDP SERIES
MATERIAL SPECIFICATIONS:		CUSTOMER:		THIS DRAWING IS SUPPLIED FOR INFORMATION ONLY. DESIGN FEATURES, SPECIFICATIONS AND PERFORMANCE DATA SHOWN HEREON ARE THE PROPERTY OF THE AMPHENOL CORPORATION. NO RIGHTS OF REPRODUCTION ARE IMPLIED. ALL DIMENSIONS ARE SUBJECT TO NORMAL MANUFACTURING VARIATIONS.		
PROCESS SPECIFICATIONS:		SIZE: B		TYPE: C-		DWG NO: AHDP04-24-27PR-WTA
NEXT ASSY:		SCALE: NONE		SHEET 1 OF 1		REVISION: A1

TITLE: RECEP.,24-27 POS, PIN CONTACT, STANDARD DIA. SEAL, AHDP DWG NO: AHDP04-24-27PR-WTA REV: A1 SH: 1 OF: 1