

4

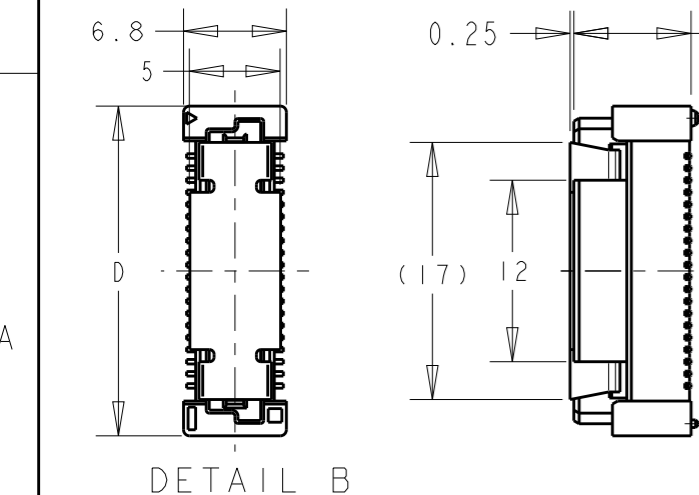
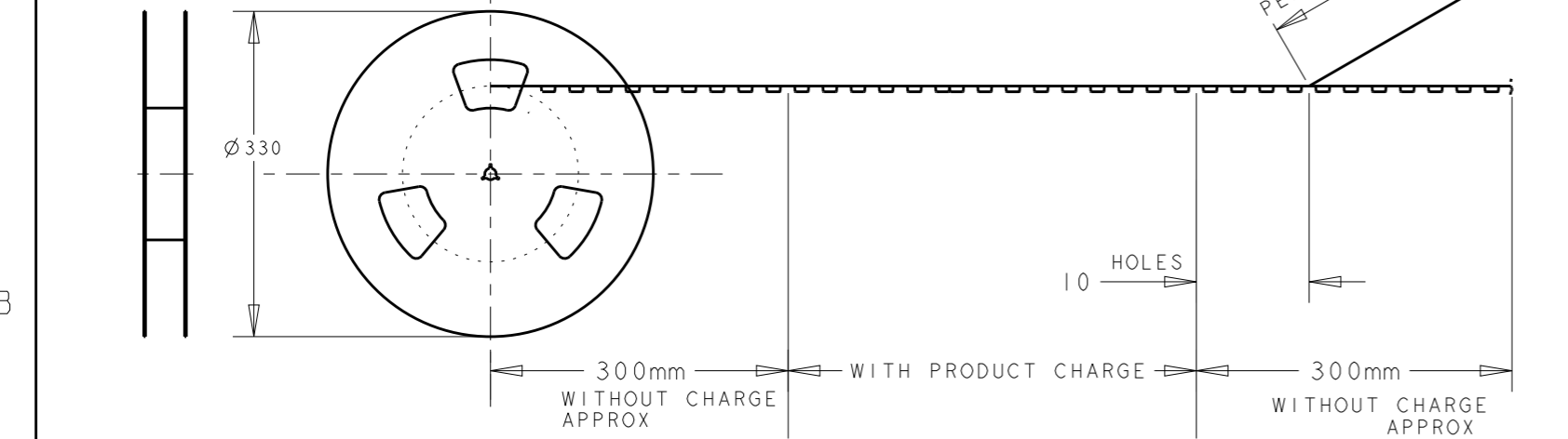
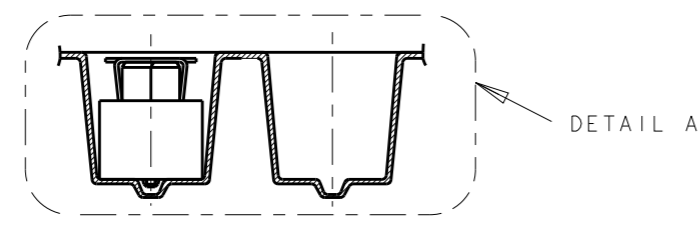
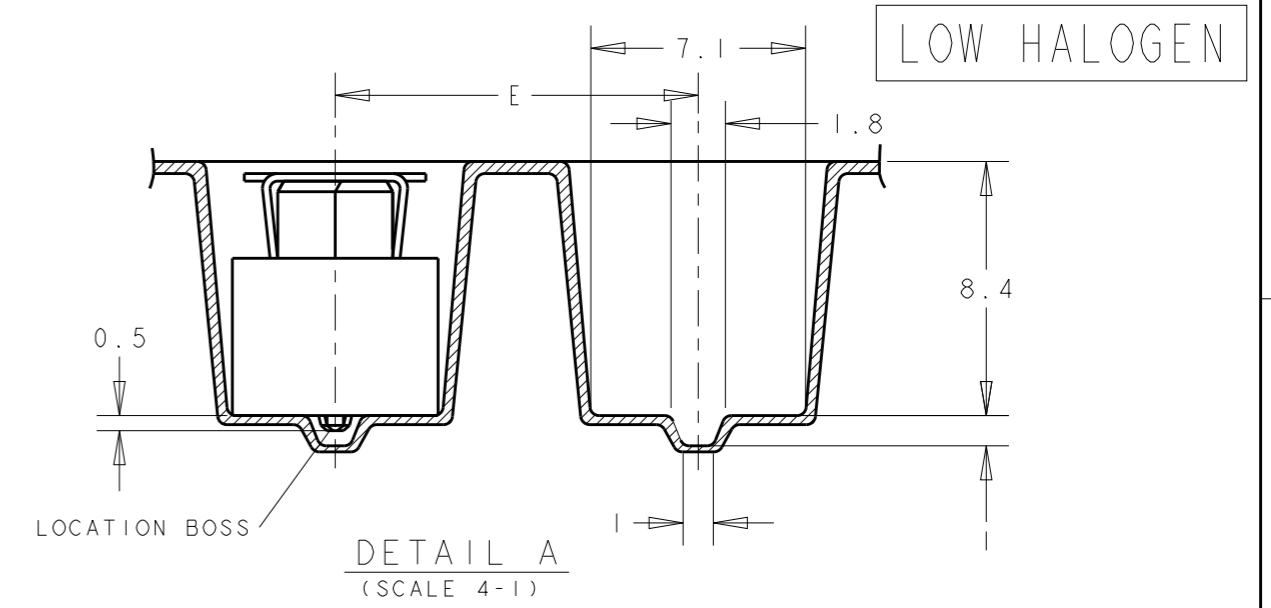
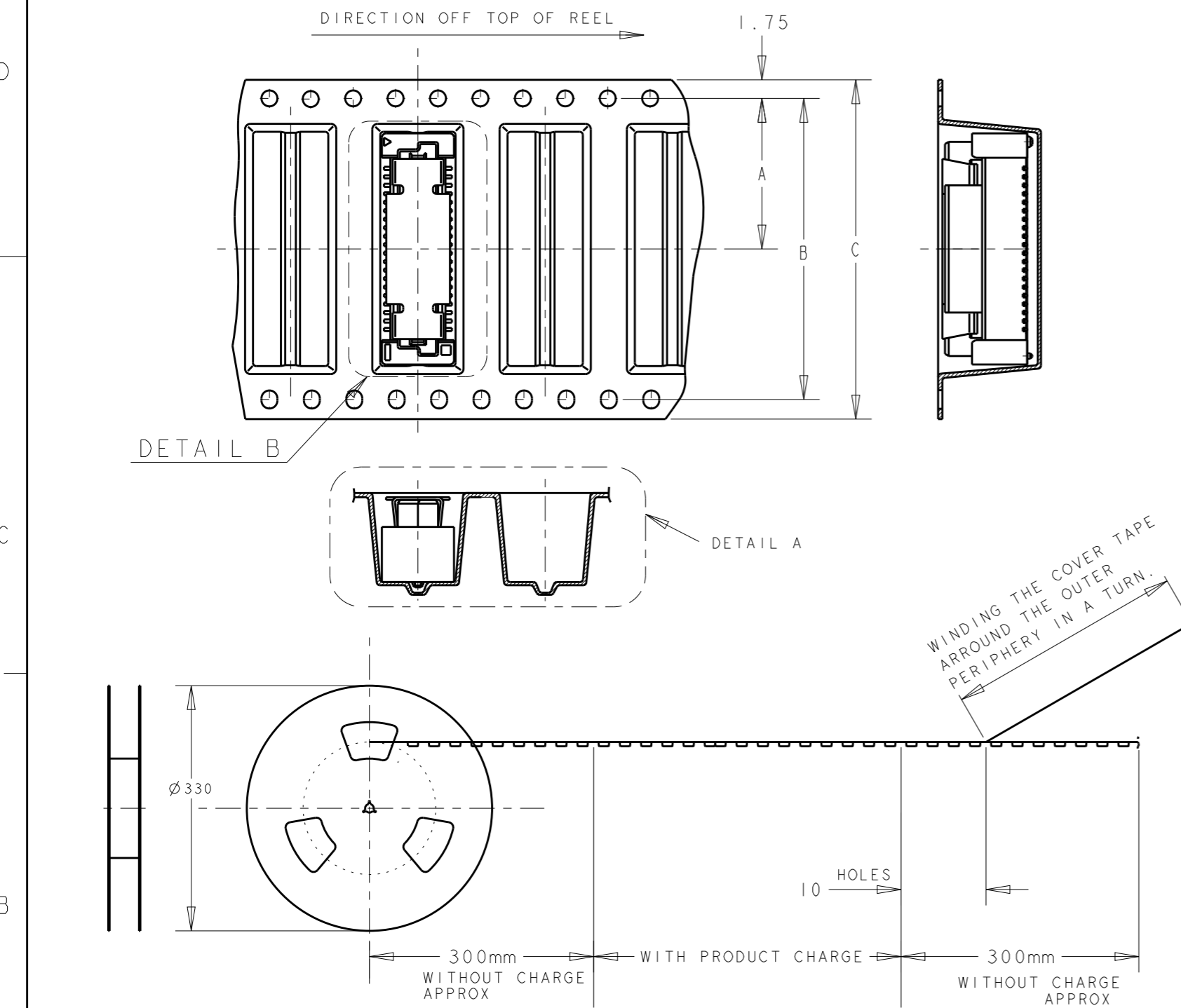
3

2

1

THIS DRAWING IS UNPUBLISHED. RELEASED FOR PUBLICATION 20
© COPYRIGHT 20 BY - ALL RIGHTS RESERVED.

REVISIONS					
P	LTR	DESCRIPTION	DATE	DWN	APVD
D		REVISED PER ECO-17-005566	27APR2017	B. J	S. Y



- NOTES:
- ① 0.00076 MIN GOLD PLATING. (30u INCHES GOLD PLATING)
 - ② 0.00020 MIN GOLD PLATING. (Au FLASH PLATING)
 - ③ 0.00038 MIN GOLD PLATING. (15u INCHES GOLD PLATING)

WITH STEEL COVER

STEEL COVER

REMARKS	QTY	E	D	C	B	A	POS	PART NO
①	400	16	61.8	88	84.4	42.2	140	7- -6
	400	16	53.8	72	68.4	34.2	120	7- -5
	400	16	45.8	72	68.4	34.2	100	7- -4
	500	12	37.8	56	52.4	26.2	80	7- -3
	500	12	29.8	44	40.4	20.2	60	7- -2
②	500	12	21.8	32	28.4	14.2	40	7-5179180-1
	400	16	61.8	88	84.4	42.2	140	9- -6
	400	16	61.8	88	84.4	42.2	140	5- -6
	400	16	53.8	72	68.4	34.2	120	5- -5
	400	16	45.8	72	68.4	34.2	100	5- -4
③	500	12	37.8	56	52.4	26.2	80	5- -3
	500	12	29.8	44	40.4	20.2	60	5- -2
	500	12	21.8	32	28.4	14.2	40	5-5179180-1
	400	16	61.8	88	84.4	42.2	140	3- -6
	400	16	53.8	72	68.4	34.2	120	3- -5
	400	16	45.8	72	68.4	34.2	100	3- -4
	500	12	37.8	56	52.4	26.2	80	3- -3
	500	12	29.8	44	40.4	20.2	60	3- -2
	500	12	21.8	32	28.4	14.2	40	3-5179180-1

THIS DRAWING IS A CONTROLLED DOCUMENT.

DWN FLORENCE TAN 14SEP04
CHK ERIC TNG
APVD SEIFONG

TE Connectivity

NAME REC ASSY'Y 9H TYPE (0.5 BOSS L) FOR FH 0.8mm B-T-B CONN ON TAPING

PRODUCT SPEC -
APPLICATION SPEC -
WEIGHT -

MATERIAL - FINISH -

SIZE A3 CAGE CODE 00779 DRAWING NO C-5179180 RESTRICTED TO -

CUSTOMER DRAWING SCALE 2:1 SHEET 1 OF 3 REV D

4

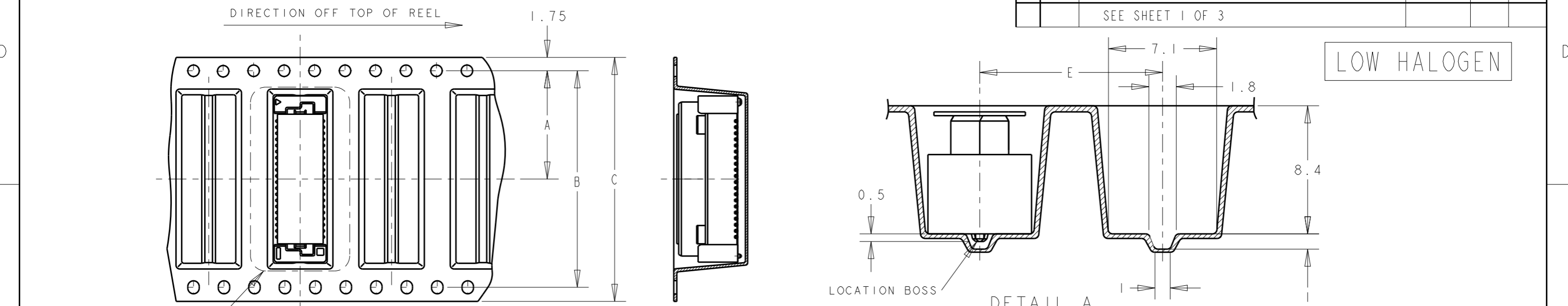
3

2

1

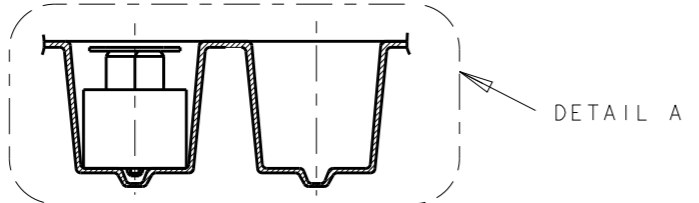
THIS DRAWING IS UNPUBLISHED. RELEASED FOR PUBLICATION 20
 © COPYRIGHT 20 BY - ALL RIGHTS RESERVED.

REVISIONS				
P	LTR	DESCRIPTION	DATE	APVD
		SEE SHEET 1 OF 3		

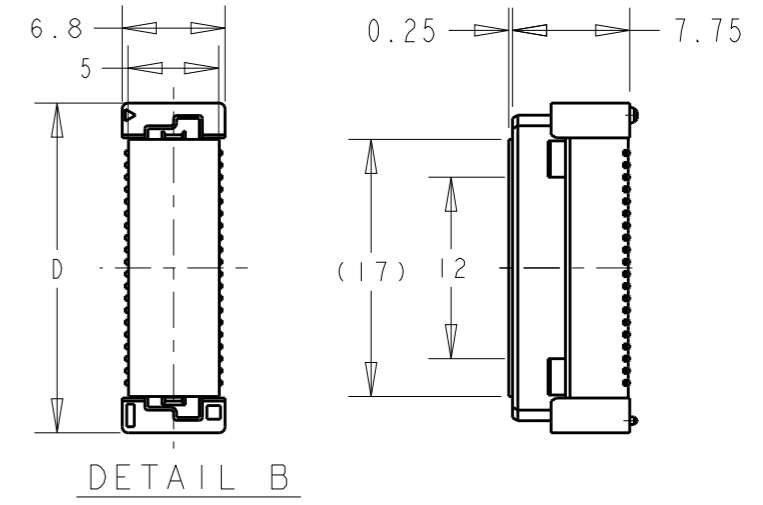
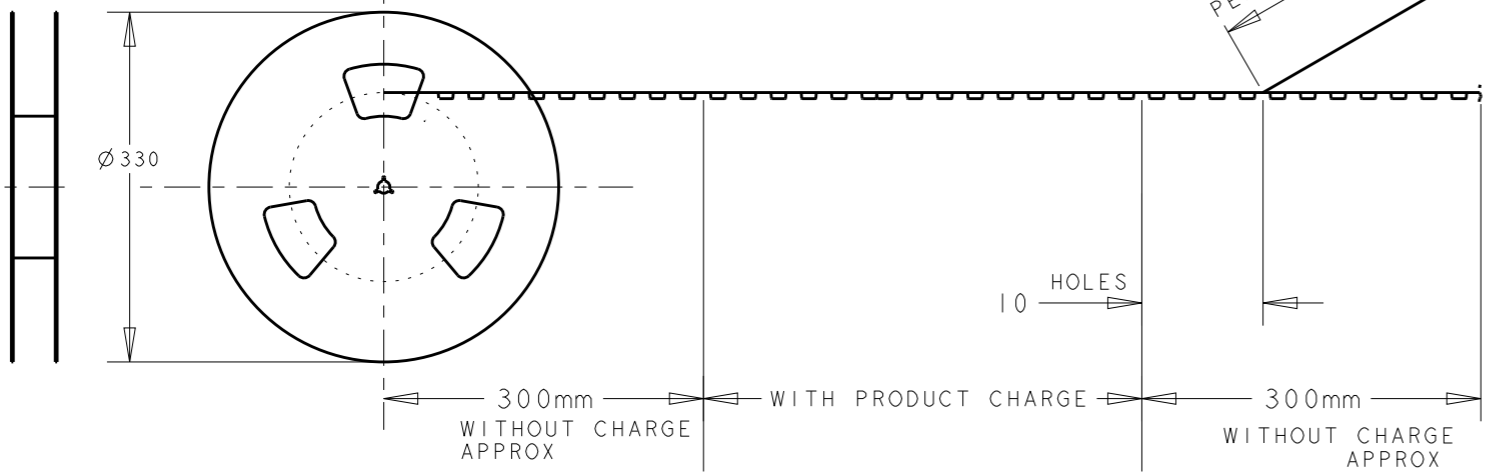


DETAIL B

DETAIL A (SCALE 4-1)



WINDING THE COVER TAPE
 AROUND THE OUTER
 PERIPHERY IN A TURN.




DETAIL B

POLYIMIDE COVER

WITH POLYIMIDE COVER

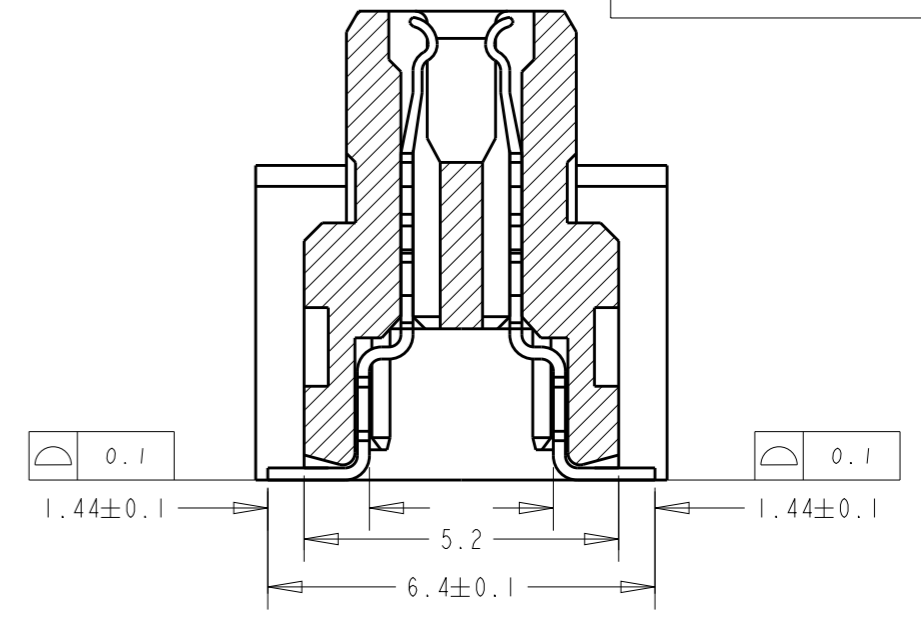
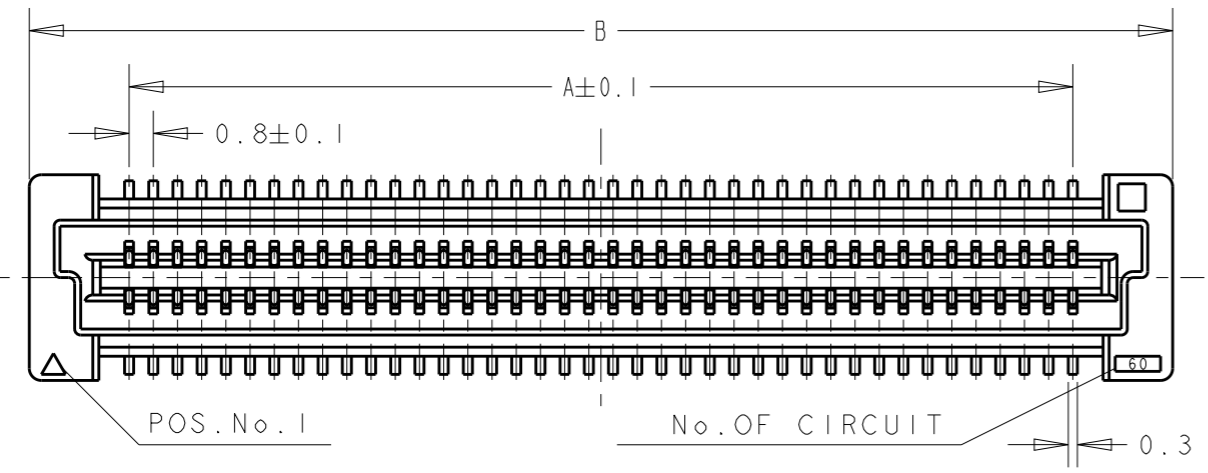
REMARKS	QTY	E	D	C	B	A	POS	PART NO
	400	16	61.8	88	84.4	42.2	140	9-5179180-6

THIS DRAWING IS A CONTROLLED DOCUMENT.		DWN FLORENCE TAN 14SEP04	 TE Connectivity	
DIMENSIONS: mm		CHK ERIC TNG		
TOLERANCES UNLESS OTHERWISE SPECIFIED:		APVD SEIFONG	NAME REC ASSY'Y 9H TYPE (0.5 BOSS L) FOR FH 0.8mm B-T-B CONN ON TAPING	
0 PLC ±- 1 PLC ±0.3 2 PLC ±0.25 3 PLC ±0.2 4 PLC ±- ANGLES ±3°		PRODUCT SPEC -	SIZE A3	
MATERIAL -		APPLICATION SPEC -	CAGE CODE 00779	DRAWING NO C-5179180
FINISH -		WEIGHT -	RESTRICTED TO -	
CUSTOMER DRAWING			SCALE 2:1	SHEET 2 OF 3
			REV D	

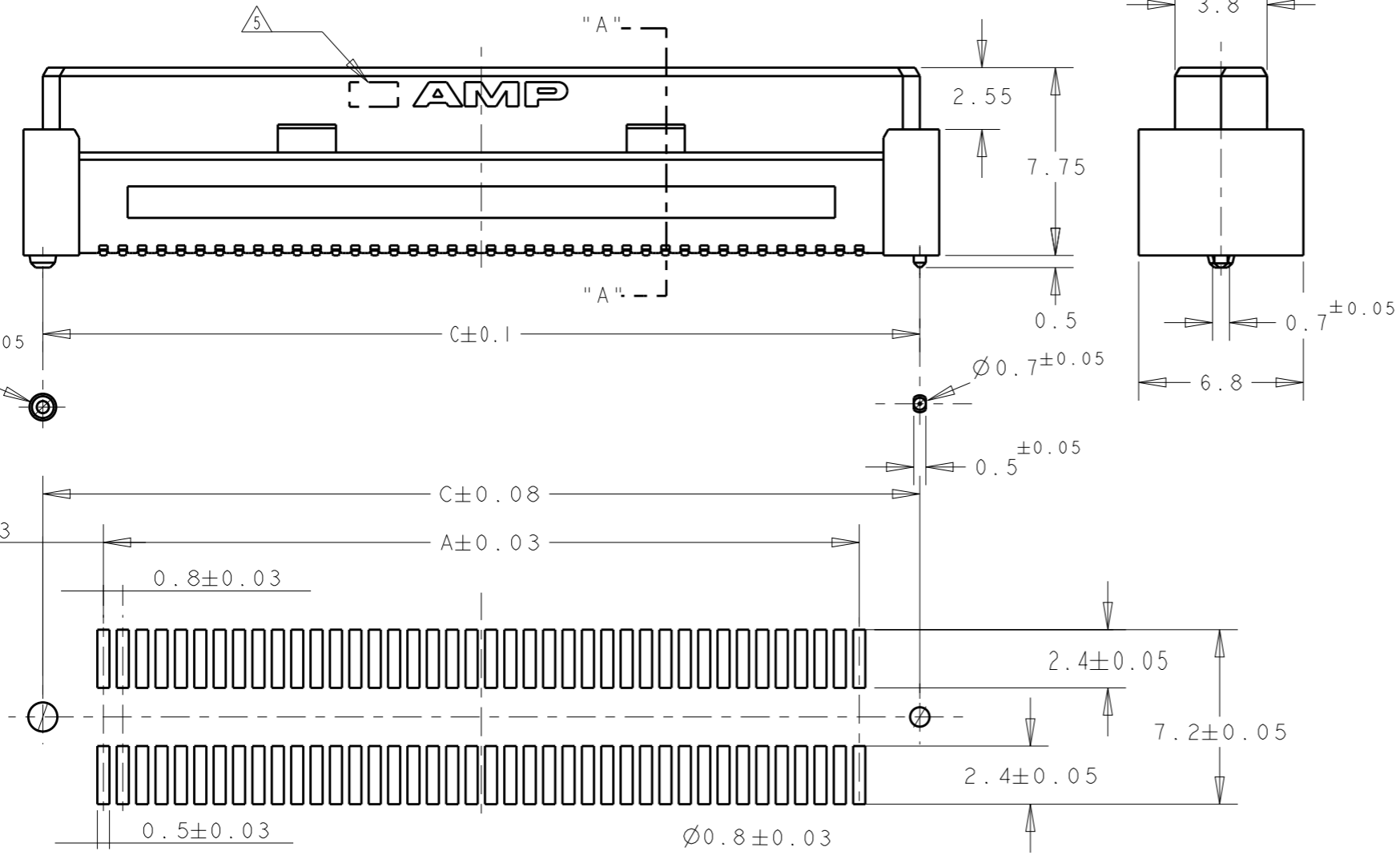
THIS DRAWING IS UNPUBLISHED. RELEASED FOR PUBLICATION 20
 © COPYRIGHT 20 BY - ALL RIGHTS RESERVED.

REVISIONS				
P	LTR	DESCRIPTION	DATE	APVD
		SEE SHEET 1 OF 3		

LOW HALOGEN



SECT "A" - "A"
(SCALE: 8-1)



- NOTES;
- 4 MATERIAL: HOUSING: L.C.P. (HIGH TEMP. THERMOPLASTIC) UL 94V-0, NATURAL. CONTACT: BERYLIUM COPPER.
 - 5 FINISH: CONTACT AREA: 0.0002 MIN GOLD ON 0.0013 MIN ALL OVER NICKEL. SOLDERING AREA: 0.002 MIN MATTE-TIN.
 - 6. POSITION SERIES: SEE TABLE. (SHEET 1)
 - 7. CONN STACK HEIGHT COMBINE OF PLUG "Y" H VS REC "X" H. STACK HEIGHT = Y + X - 5
 - 8 MANUFACTURE PLANT LOCATION MARK. QINGDAO:
 - 9 CONNECTOR WITH BLACK HOUSING AND POLYIMIDE COVER

RECOMMENDED P.C. BOARD LAYOUT

CONNECTOR ONLY

THIS DRAWING IS A CONTROLLED DOCUMENT.		DWN FLORENCE TAN	14SEP04	TE Connectivity	
DIMENSIONS: mm		CHK ERIC TNG			
TOLERANCES UNLESS OTHERWISE SPECIFIED:		APVD SEIFONG		NAME REC ASSY 'Y 9H TYPE (0.5 BOSS L) FOR FH 0.8mm B-T-B CONN ON TAPING	
0 PLC ±.3		PRODUCT SPEC		SIZE A3	
1 PLC ±0.3		APPLICATION SPEC		CAGE CODE 00779	
2 PLC ±0.25		WEIGHT		DRAWING NO C=5179180	
3 PLC ±0.2				RESTRICTED TO	
4 PLC ±.3				SCALE 2:1	
ANGLES ±3°				SHEET 3 OF 3	
FINISH				REV D	
MATERIAL		CUSTOMER DRAWING			