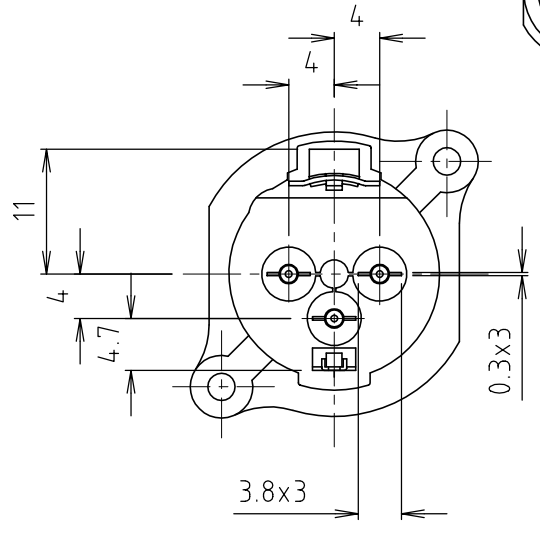
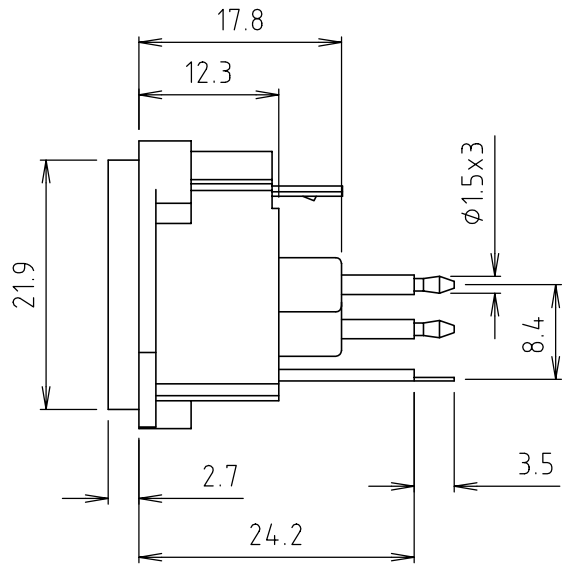
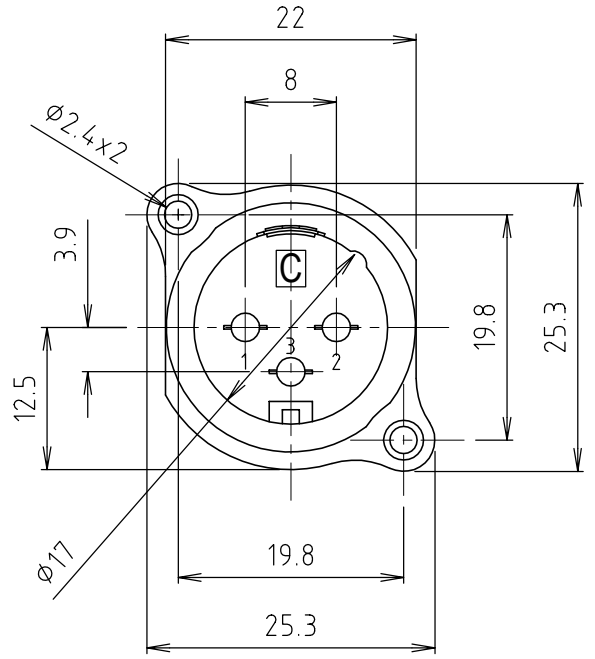
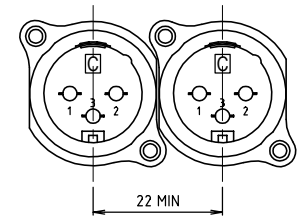
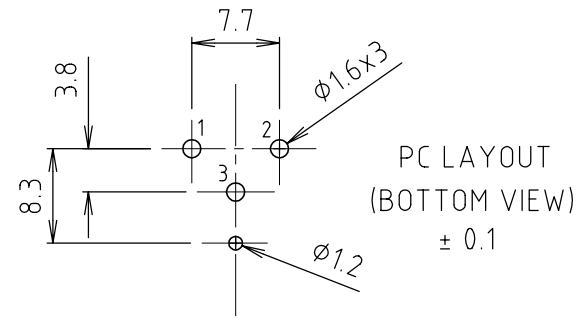
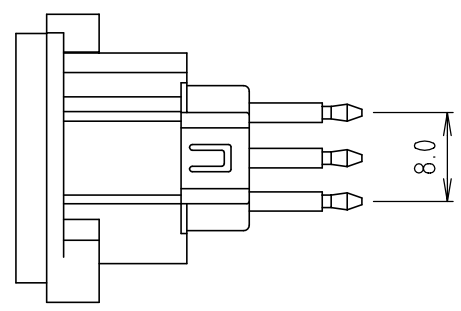
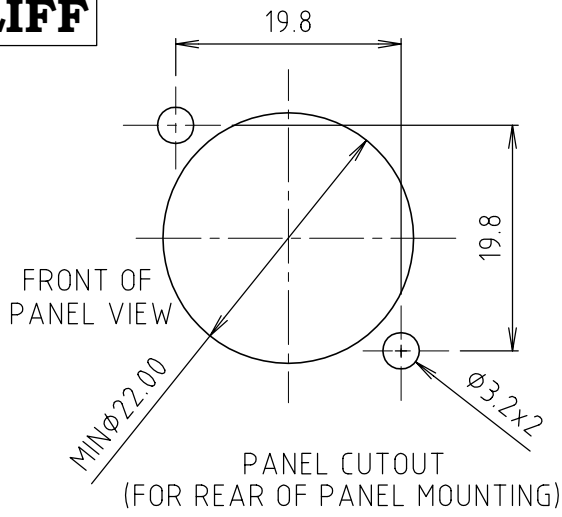


**CLIFF**

ISS.	AMEND	DATE
1	1st DRAWN	24/8/98
2	CP30009 ADD	20/8/99



CONTACT PINS ARE GOLD PLATED.

VARIANTS

P/No.	MODEL	REMARKS
CP30008	XNACM2V (VERT PC)	
CP30009	XNACM2V (VERT PC)	PACKS OF# 1 PC
	RS 3424465 0001	

**RoHS**  
COMPLIANT

**Tolerance**  
 NO DEC. PLACE  $\pm 0.50$   
 1 DEC. PLACE  $\pm 0.20$   
 2 DEC. PLACE  $\pm 0.10$   
 DIA. HOLES  $\pm 0.10$   
 ANGLES  $\pm 1/2^\circ$   
 UNLESS OTHERWISE STATED

DIMENSIONS IN MILLIMETERS UNLESS OTHERWISE STATED. WORK TO DIMENSIONS. DO NOT SCALE DRAWING. 3rd ANGLE PROJECTION. REMOVE BURRS. IF IN DOUBT ASK.

WHERE USED F.R.  
SCALE N.T.S.

Cliff Electronic Components Limited  
 76 Holmethorpe Ave., Holmethorpe Ind. Estate,  
 Redhill, Surrey. RH1 2PF. England.  
 Tel: 01737-771375 Fax: 01737-766012

MATERIAL POLYAMIDE / G30 UL 94HB / BRASS / Fe  
 FINISH AS MOULDED / GOLD PLATED 0.02/0.05 $\mu$  / Ni PLATED  
 DRAWN C.A.M.J. APPD. RWT

TITLE AUDIO CONNECTOR XNACM2V  
 DRWG. No. **CP30008**

FORM: A4DRWGH