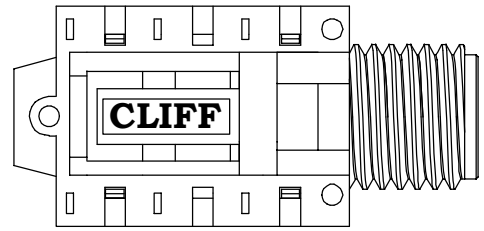
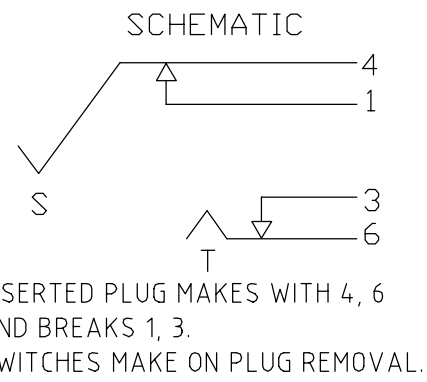
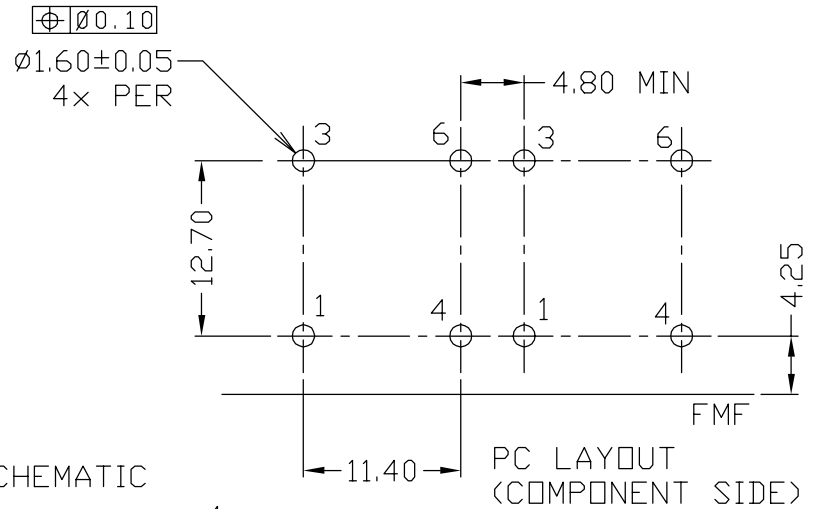
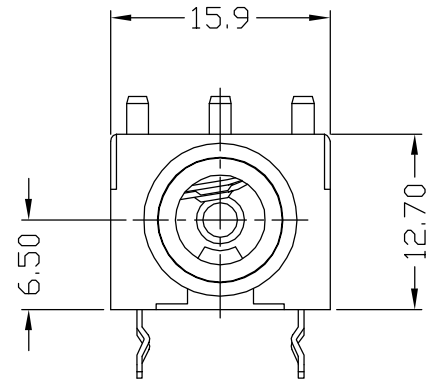
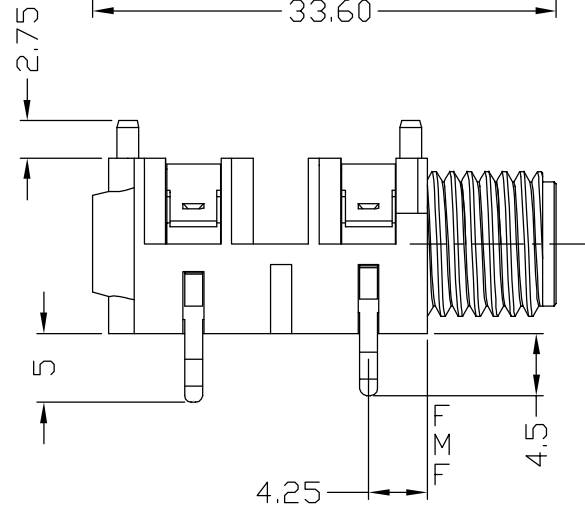
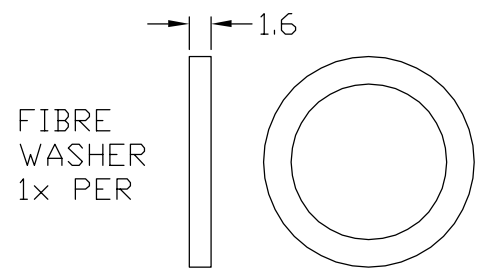
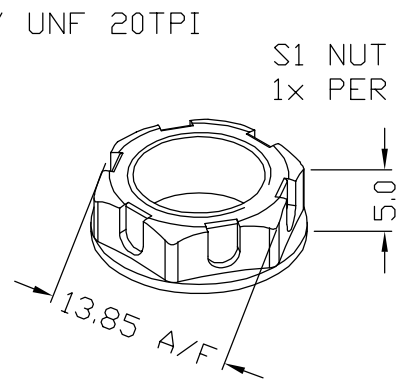
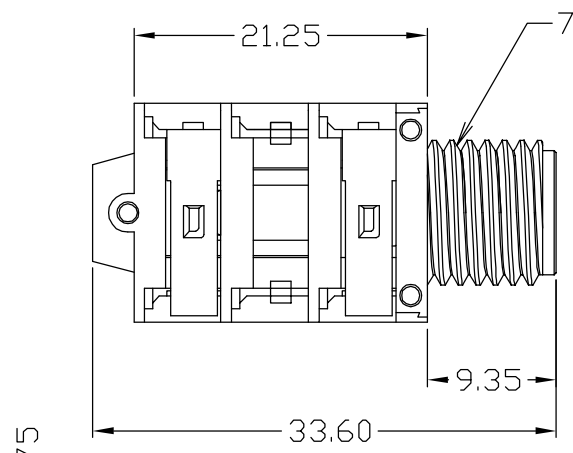


ISS.	AMEND	DATE
1	ISSUED	25/04/17



**NOTE:**  
NUTS + WASHERS SUPPLIED UNASSEMBLED, BULK PACKED.

**RoHS**  
**COMPLIANT**

**TOLERANCE**  
NO DEC. PLACE ±  
1 DEC. PLACE ±  
2 DEC. PLACE ±  
HOLE Ø ±  
ANGLES ±  
UNLESS OTHERWISE STATED

**Cliff Electronic Components Ltd.**  
76 Holmehorpe Avenue, Holmehorpe Industrial Estate,  
Redhill, Surrey, RH1 2PF, England, UK  
Tel: 01737-771375 Fax: 01737-766012 Website: www.cliffuk.co.uk

THE CONTENTS OF THIS DOCUMENT MUST NOT BE COPIED OR DISCLOSED TO A 3rd PARTY WITHOUT WRITTEN PERMISSION OF CLIFF UK. © 2017

DIMENSIONS IN MILLIMETERS UNLESS OTHERWISE STATED. WORK TO DIMENSIONS. REMOVE ALL BURRS. IF IN DOUBT ASK.

3rd ANGLE PROJECTION:

DO NOT SCALE

MATERIAL: BLACK POLYAMIDE / PbZr / BRASS  
FINISH: AS MOULDED / TIN PLATED

TITLE: 1/4" JACK SOCKET S1/BNB/MNW UNASSEMBLED

DRAWN: T.J.O.

APPROVED: D.P.J.

DRWG. No. **CL1110** FORM: A4DRWGH