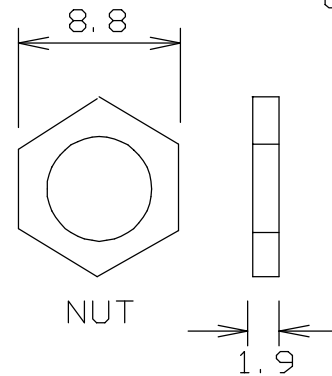
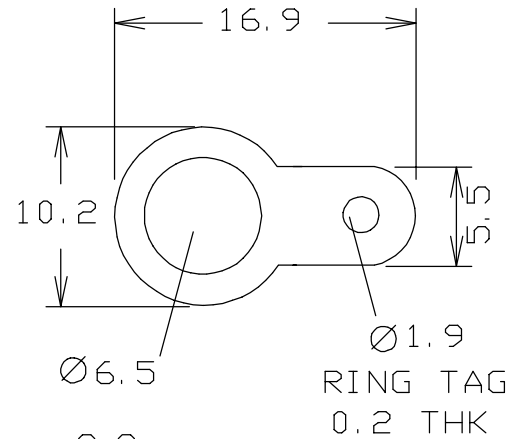
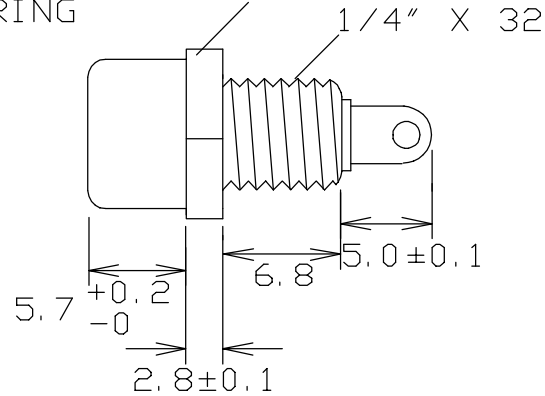
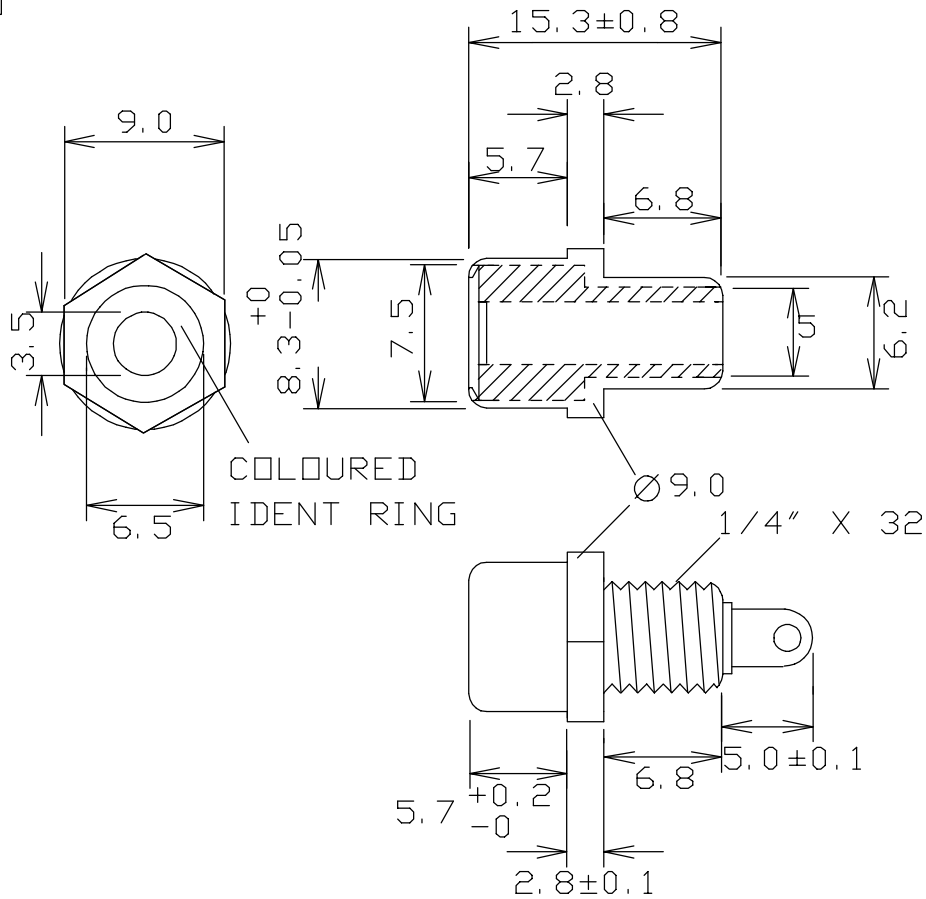


ISS.	AMEND	DATE
1	WAS ON FC68367	14/6/16



MAX PANEL THK 3.3mm

MAX NUT TIGHTENING TORQUE 1NM.

**RoHS**  
COMPLIANT

TOLERANCE  
NO DEC. PLACE ± 0.25  
1 DEC. PLACE ± 0.2  
2 DEC. PLACE ±  
HOLE Ø ±  
ANGLES ± 1/2°  
UNLESS  
OTHERWISE STATED

**Cliff Electronic Components Ltd.**  
76 Holmethorpe Avenue, Holmethorpe Industrial Estate,  
Redhill, Surrey, RH1 2PF, England, UK  
Tel: 01737-771375 Fax: 01737-766012 Website: www.cliffuk.co.uk

DIMENSIONS IN MILLIMETERS UNLESS OTHERWISE STATED. WORK TO DIMENSIONS. REMOVE ALL BURRS. IF IN DOUBT ASK.

3rd ANGLE PROJECTION:

DO NOT SCALE

MATERIAL: ABS / BRASS  
FINISH: AS MOULDED / Ni PLATED

TITLE: SINGLE CHASSIS PHONO SOCKET PHS-1A RED

THE CONTENTS OF THIS DOCUMENT MUST NOT BE COPIED OR DISCLOSED TO A 3rd PARTY WITHOUT WRITTEN PERMISSION OF CLIFF UK. © 1990

DRAWN: T.J.O.

APPROVED: D.P.J.

DRWG. No. **FC 68369**

FORM: A4DRWGH