

6

5

4

3

2

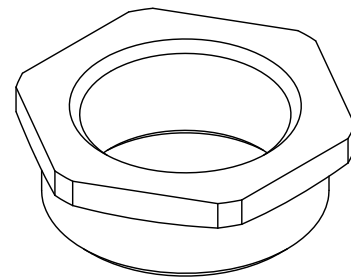
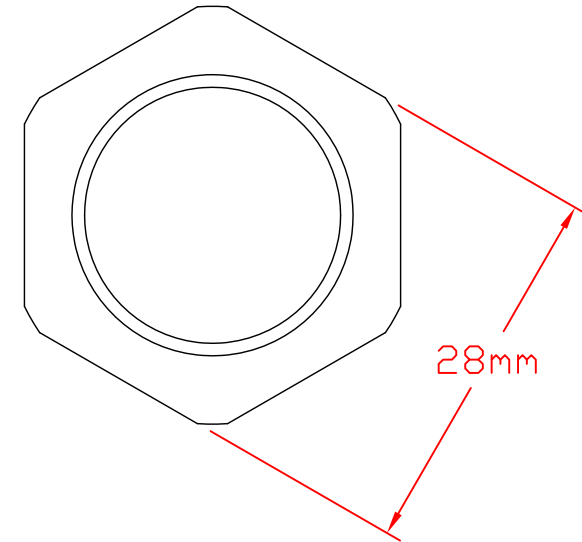
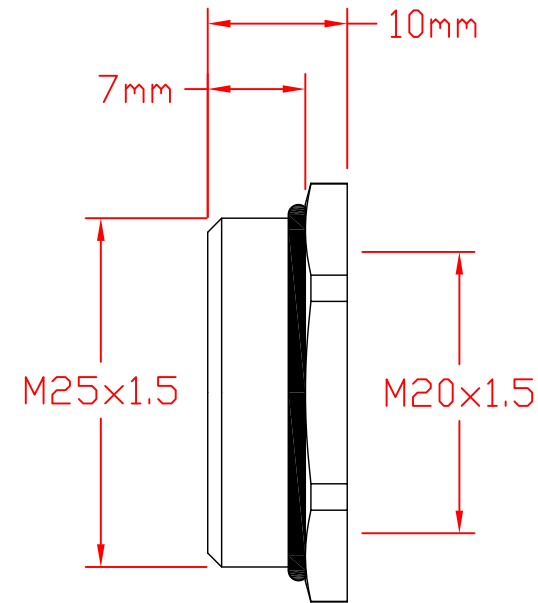
1

D

C

B

A



\*Dimensions shown are for reference only and are not meant for verification purposes.

DESCRIPTION	REV	DATE	INITIALS	HARTING PART NUMBER
				73 00 000 5346
				DESCRIPTION
				Thread Decreaser Nickel Plated Brass M25 (Male) to M20 (Female)
Added Dimension Note	01	05/02/17	D.G.	DRAWING NUMBER
Initial Release	00	02/09/16	D.G.	73000005346
This drawing is property of HARTING Manufacturing Inc. No exploitation or transfer of information contained herein is permitted without written consent / agreement of HML.				HARTING INC. OF NORTH AMERICA 1370 BOWES ROAD ELGIN, IL 60123 PH: (847) 741-1500
				REFERENCE 73000005346
				SHEET 1/1
				REVISION
				01

