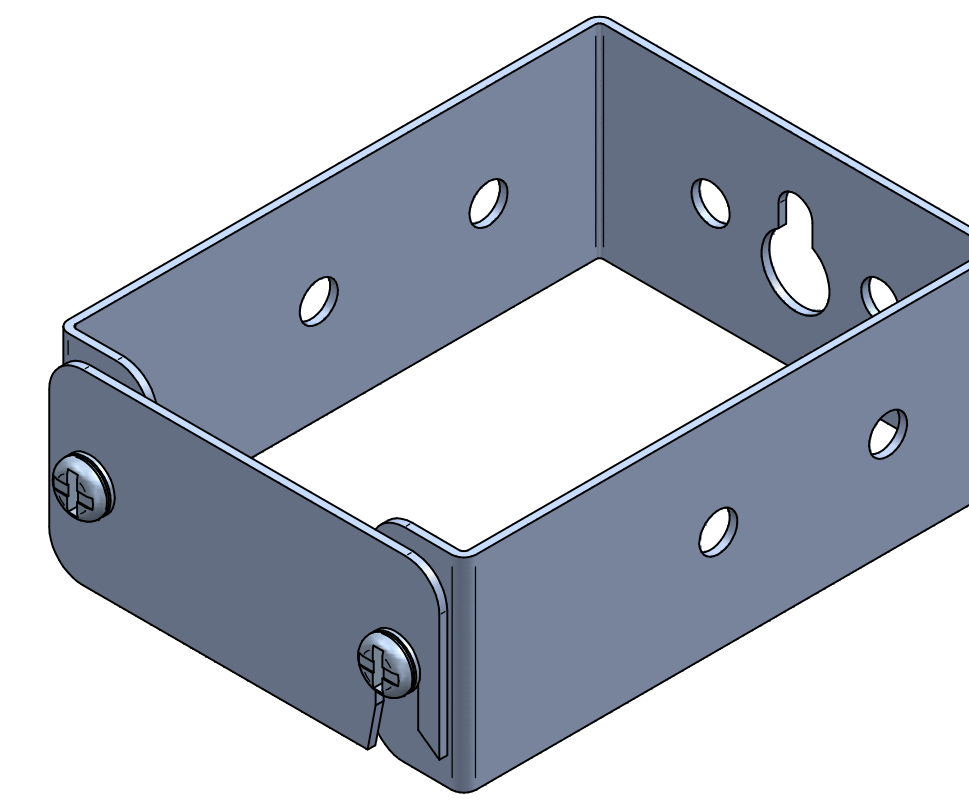
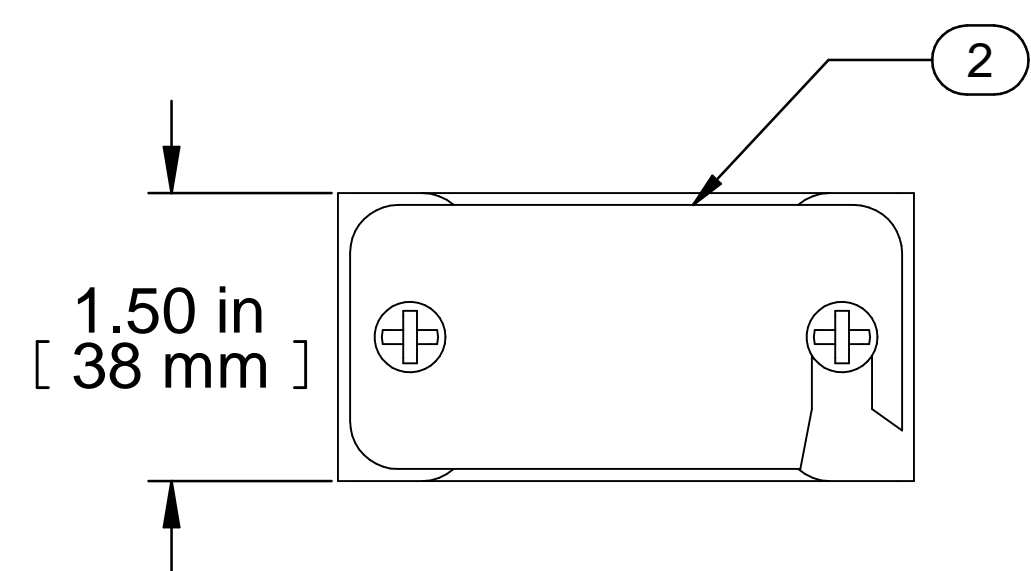


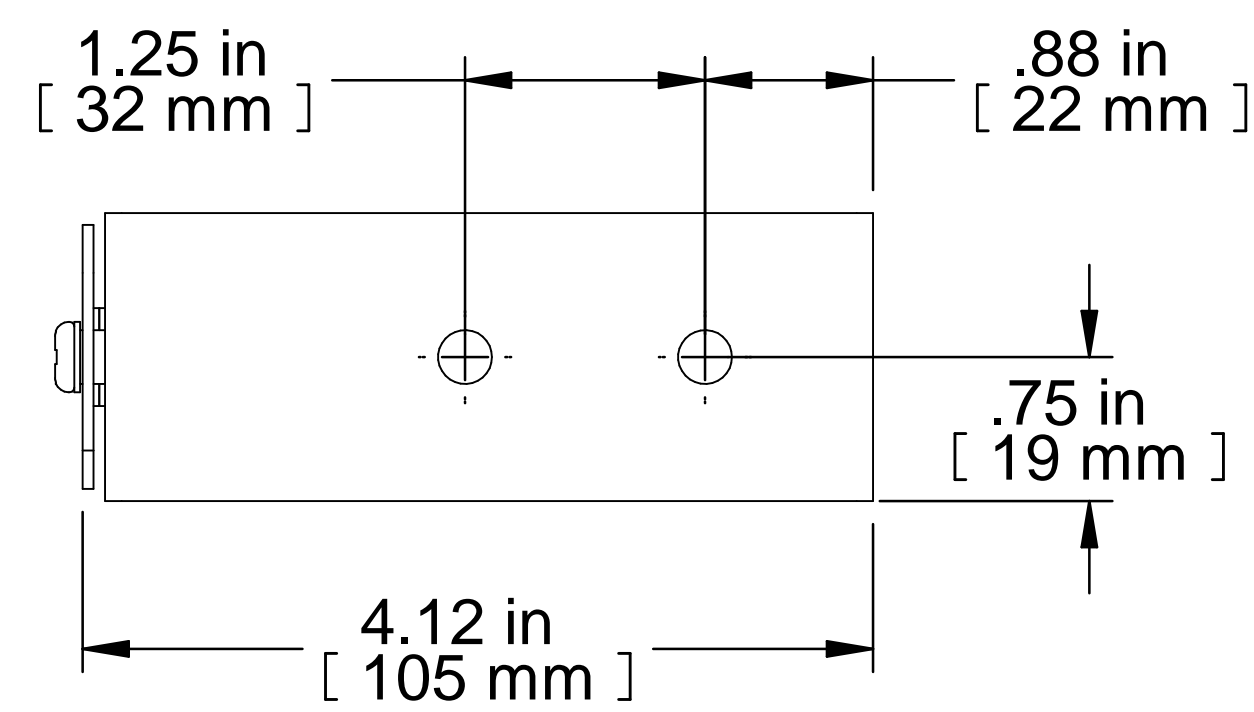
TOP VIEW



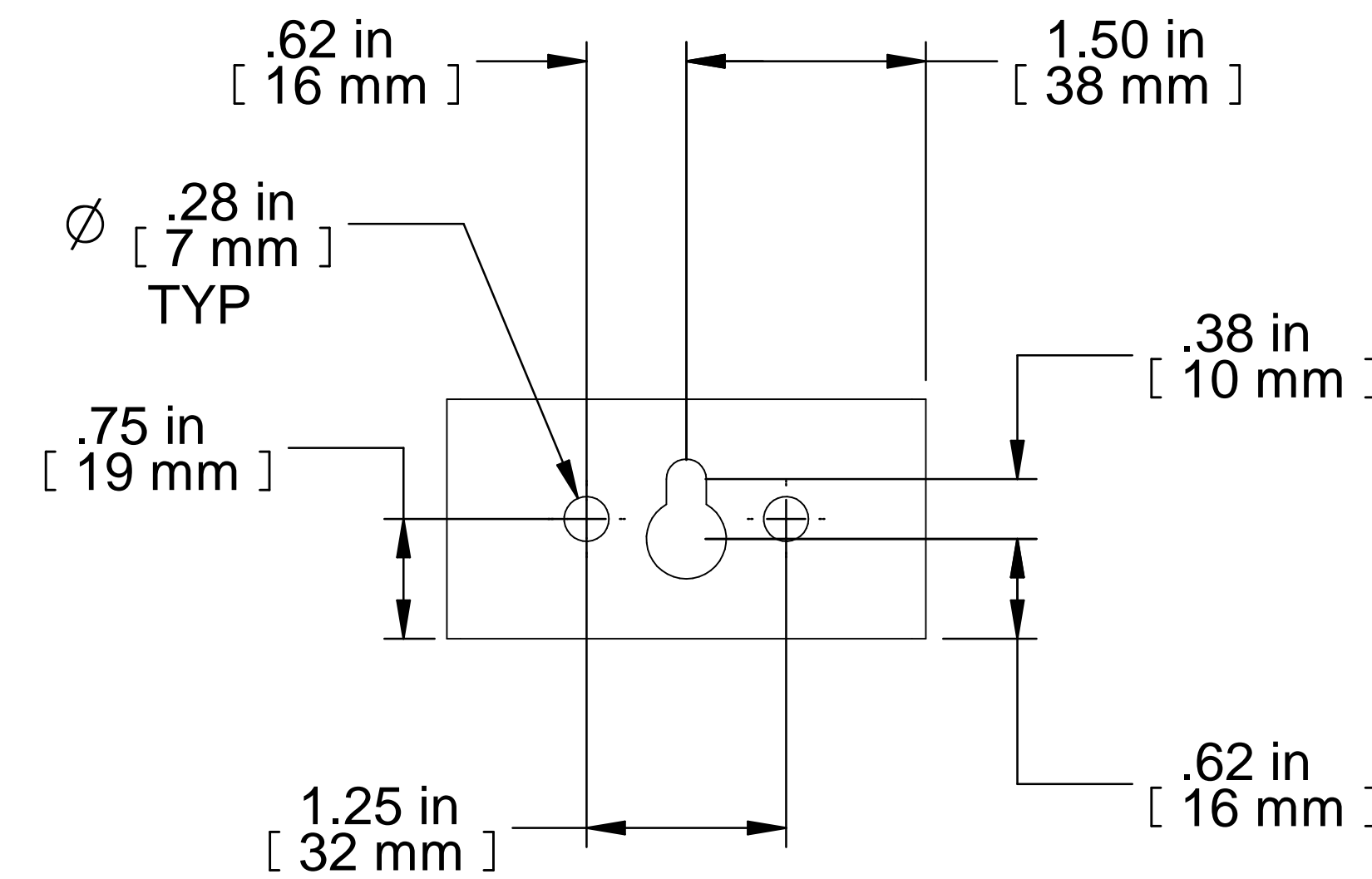
ISOMETRIC



FRONT VIEW



R.S. VIEW



REAR VIEW

Item Number	Title	Quantity
1	CABLE MGMT RING - BODY WELD	1
2	CABLE MGMT RING - COVER	1
3	WASHER NYLON .031THK .317 DIA I/S	2
4	SCREW 10-32 X 5/8"	2

PART NUMBERS

CMRC34BK1	PAINTED BLACK TEXTURED
-----------	------------------------

NOTES

Able to be Mounted Between Two Racks

Mounting Hardware Not Included

See Hammond Website for More Information

Français

Pour tous les détails sur nos produits, svp veuillez consulter notre site [www.hammondmfg.com](http://www.hammondmfg.com)

Data subject to change without notice. Isometric drawing not to scale. Les données sont sujettes à changement sans préavis.



**HAMMOND  
MANUFACTURING®**

[www.hammondmfg.com](http://www.hammondmfg.com)



PART NO.

**CMRC34**